

KALDEWEI

Luxstainable® Bathrooms
Made in Germany since 1918

INTERNATIONAL GROSS PRICELIST

2024



FREE-STANDING
BATHING



FLOOR-LEVEL
SHOWERING



EXTRAVAGANT
WASHING

KALDEWEI

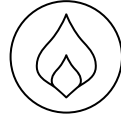
KALDEWEI was founded in 1918, and today it is the fourth generation that is devoted to the combination of steel and enamel with such passion. This was the only way to achieve an exceptional fusion that guarantees the special KALDEWEI quality and durability.

KALDEWEI STEEL ENAMEL WITH 30 YEARS GUARANTEE*

Steel and glass - two entirely authentic and natural materials, used for centuries, and each with its own inherent material properties. Steel signifies strength, toughness, robustness and optimum ductility. Glass is highly resistant to chemical or thermal stress and has an excellent appearance. KALDEWEI steel enamel combines robust steel and tough glass to form an inseparable bond harnessing the strengths of each material in perfect symbiosis. As a pioneer consistently pushing the boundaries to make the good even better, KALDEWEI has steadily advanced, refined and optimised the special formula and manufacturing processes of KALDEWEI steel enamel for almost a century now. KALDEWEI steel enamel guarantees lasting quality that remains visible, tangible and irresistible day after day.

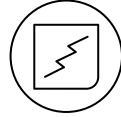
* in accordance with our current guarantee terms

TOTALLY INCOMPARABLE



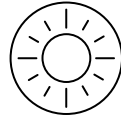
HEAT RESISTANT

Burning and smouldering objects do not leave marks on the surface.



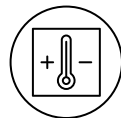
SCRATCH AND IMPACT RESISTANT

KALDEWEI steel enamel combines the inherent properties of steel and glass, making it highly resistant to mechanical stress.



UV RESISTANT

Thanks to the unique material properties of KALDEWEI steel enamel, our products retain their original colour without fading or yellowing.



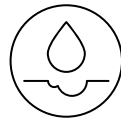
DIMENSIONALLY STABLE

KALDEWEI products hardly expand at all in temperature fluctuations, thereby minimising the risk of cracked joints or damage from moisture penetration in the bathroom.



EASY TO CLEAN AND HYGIENIC

The glass-hard surface of KALDEWEI steel enamel leaves no place for dirt and bacteria to settle, meaning it is supremely hygienic and easy to clean.



CHEMICAL RESISTANT

Common household detergents, cosmetics or bath additives will not harm KALDEWEI steel enamel.



SUSTAINABLE

Bathroom products made of KALDEWEI steel enamel are produced from the natural materials glass and steel, and can be fully recycled.

MOHS SCALE

Density	1	2	3	4	5	6	7	8	9	10
Material	Tallow, candles	Plaster-board - Plaster	Synthetics, paint	Marble	Iron	Steel	Enamel, Porcelain, Glass	Topaz	Sapphire	Diamond
Wear resistance	very low		low	adequate	good		very good	exceptionally good		

QUICKFINDER

ARRONDO	178	MING Washbowl	298
ARRONDO with apron	180	MINI LEFT/MINI STAR LEFT	108
ASYMMETRIC DUO	42	MINI RIGHT/MINI STAR RIGHT	110
AVELLINO Washbowl	294	NEXSYS	162
CAYONO/CAYONO STAR	102	NUEVA Washbowl	292
CAYONO DUO	106	OBJECT Q Built-in washbasin	350
CAYONOPLAN	204	OBJECT R Built-in washbasin	352
CAYONO S Countertop washbasin	346	PLAZA DUO LEFT	60
CAYONO Undercounter washbasin	344	PLAZA DUO RIGHT	62
CAYONO Washbowl	348	PURO Built-in double washbasin	302
CENTRO Countertop washbasin	262	PURO Built-in washbasin	300
CENTRO Countertop washbasin	264	PURO Countertop double washbasin (rim height 120 mm)	310
CENTRO DUO	44	PURO Countertop twin washbasin (rim height 120 mm)	312
CENTRO DUO 1 LEFT	46	PURO Countertop washbasin	304
CENTRO DUO 1 RIGHT	48	PURO Countertop washbasin	306
CENTRO DUO 2	50	PURO Countertop washbasin	308
CENTRO DUO OVAL	52	PURO DUO	80
CENTRO Undercounter washbasin	266	PURO/PURO STAR	72
CENTRO Wall-hung washbasin	268	PURO S Countertop washbasin	314
CLASSIC DUO	64	PURO S Countertop washbasin	316
CLASSIC DUO OVAL	68	PURO SET WIDE LEFT	82
CLASSIC DUO OVAL freestanding	36	PURO SET WIDE RIGHT	84
CLASSIC Undercounter washbasin	296	PURO Undercounter washbasin	318
CONO Built-in double washbasin	272	PURO Wall-hung double washbasin	324
CONO Built-in washbasin	270	PURO Wall-hung double washbasin	326
CONO Countertop washbasin	274	PURO Wall-hung washbasin	320
CONO Countertop washbasin	276	PURO Wall-hung washbasin	322
CONO Countertop washbasin	278	PURO with side overflow	76
CONODUO	54	SANIDUSCH	214
CONODUO freestanding	38	SANIFORM PLUS/SANIFORM PLUS STAR	114
CONOFLAT	166	SANIFORM/SANIFORM STAR	112
CONO Undercounter washbasin	280	SANIFORM V1-V4/SANIFORM V1-V4 STAR	118
CONO Wall-hung double washbasin	286	SCONA	184
CONO Wall-hung washbasin	282	SILENIO	86
CONO Wall-hung washbasin	284	SILENIO Built-in double washbasin	330
CORNEZZA	182	SILENIO Built-in washbasin	328
DUSCHPLAN	210	SILENIO Countertop double washbasin (rim height 120 mm)	336
DYNA SET/DYNA SET STAR	70	SILENIO Countertop washbasin	332
ELLIPSO DUO	56	SILENIO Countertop washbasin	334
ELLIPSO DUO OVAL	58	SILENIO Undercounter washbasin	338
ELLIPSO DUO OVAL freestanding	40	SILENIO Wall-hung double washbasin	342
FLOWLINE HEATRECOVERY	254	SILENIO Wall-hung washbasin	340
FLOWLINE ZERO	256	SUPERPLAN	190
MEISTERSTÜCK CENTRO DUO 1 LEFT	18	SUPERPLAN CLASSIC	218
MEISTERSTÜCK CENTRO DUO 1 RIGHT	20	SUPERPLAN PLUS	174
MEISTERSTÜCK CENTRO DUO 2	22	SUPERPLAN ZERO	198
MEISTERSTÜCK CENTRO DUO OVAL	16	VAIO 6/VAIO 6 STAR	100
MEISTERSTÜCK CLASSIC DUO OVAL	24	VAIO DUO	90
MEISTERSTÜCK CONODUO	26	VAIO DUO 6	92
MEISTERSTÜCK CONODUO 1 LEFT	28	VAIO DUO 8	94
MEISTERSTÜCK CONODUO 1 RIGHT	30	VAIO DUO OVAL	96
MEISTERSTÜCK CONODUO 2	32	VAIO SET/VAIO SET STAR	98
MEISTERSTÜCK OYO DUO	34	VAIO/VAIO STAR	88
MIENA Washbowl	288	ZIRKON	222

NATURE PROTECT

BATHING

◆◆◇	PURO	72 - 75
	PURO DUO	80 - 81

SHOWERING

◆◆◇	SUPERPLAN ZERO	198 - 203
-----	----------------------	-----------

WASHBASINS

◆◆◆	MIENA Washbowl	288 - 291
-----	----------------------	-----------

BATHING

Page 14 - 119

Ⓜ	MEISTERSTÜCK CENTRO DUO OVAL	16 - 17
	MEISTERSTÜCK CENTRO DUO 1 left	18 - 19
	MEISTERSTÜCK CENTRO DUO 1 right	20 - 21
	MEISTERSTÜCK CENTRO DUO 2	22 - 23
	MEISTERSTÜCK CLASSIC DUO OVAL	24 - 25
	MEISTERSTÜCK CONODUO	26 - 27
	MEISTERSTÜCK CONODUO 1 left	28 - 29
	MEISTERSTÜCK CONODUO 1 right	30 - 31
	MEISTERSTÜCK CONODUO 2	32 - 33
	MEISTERSTÜCK OYO DUO	34 - 35
	CLASSIC DUO OVAL freestanding	36 - 37
	CONODUO freestanding	38 - 39
	ELLIPSO DUO OVAL freestanding	40 - 41
◆◆◆	ASYMMETRIC DUO	42 - 43
	CENTRO DUO	44 - 45
	CENTRO DUO 1 left	46 - 47
	CENTRO DUO 1 right	48 - 49
	CENTRO DUO 2	50 - 51
	CENTRO DUO OVAL	52 - 53
	CONODUO	54 - 55
	ELLIPSO DUO	56 - 57
	ELLIPSO DUO OVAL	58 - 59
	PLAZA DUO left	60 - 61
	PLAZA DUO right	62 - 63
◆◆◇	CLASSIC DUO	64 - 67
	CLASSIC DUO OVAL	68 - 69
	DYNA SET/DYNA SET STAR	70 - 71
	PURO/PURO STAR	72 - 75
	PURO/PURO STAR with side overflow	76 - 79
	PURO DUO	80 - 81
	PURO SET WIDE left	82 - 83
	PURO SET WIDE right	84 - 85
	SILENIO	86 - 87
	VAIO/VAIO STAR	88 - 89
	VAIO DUO	90 - 91
	VAIO DUO 6	92 - 93
	VAIO DUO 8	94 - 95
	VAIO DUO OVAL	96 - 97
	VAIO SET/VAIO SET STAR	98 - 99
	VAIO 6/VAIO 6 STAR	100 - 101
◆◆◇	CAYONO/CAYONO STAR	102 - 105
	CAYONO DUO	106 - 107
	MINI left/MINI STAR left	108 - 109
	MINI right/MINI STAR right	110 - 111
	SANIFORM/SANIFORM STAR	112 - 113
	SANIFORM PLUS/SANIFORM PLUS STAR	114 - 117
	SANIFORM V1-V4/SANIFORM V1-V4 STAR	118 - 119

ACCESSORIES

Page 120 - 159

INFLOW/OUTFLOW TECHNOLOGY

Waterfall bath inlet	122
Waterfall bath inlet with integrated overflow	123
COMFORT LEVEL / COMFORT LEVEL PLUS	124
Special waste and overflow fitting	125
Waste and overflow fitting	126

SHOWER ACCESSORIES

Shower hose	127
-------------------	-----

INSTALLATION

Bathtub installation set	128
Bath securing device	129
Leg set bathtubs	129
Additional charge for requested bore holes	130

DESIGN GRIPS

Grip Discreet Opulence AVANTGARDE	131
Grip Elegant Purism AVANTGARDE	131
Grip Discreet Opulence AMBIENTE	132
Grip Elegant Purism AMBIENTE	132
Universal grip Type A+B	133
DYNA SET STAR	133

SILENCE PLUS

Bathtub sound insulation set BWS	134
Bathtub sound insulation set BWS PLUS	134
Bathtub sound-absorbing set BW-ADS	135
Connection sound insulation strip WAS 70	135
Installation tape WES 130	135

WATERPROOF

Sealing kit FLEX	136
------------------------	-----

SURFACES

INVISIBLE GRIP	137
Easy-clean finish	138
Anti-slip and Full anti-slip	139

SOUND SYSTEMS

SOUND WAVE	140
------------------	-----

LIGHTING SYSTEMS

Lighting set	141
--------------------	-----

BATH COVER

Relax lounge	142
--------------------	-----

CUSHIONS

Bath cushion	143
Multifunctional cushions	143

PANELLING SYSTEMS

BAKO panelling system for SANIFORM PLUS	144
---	-----

WELLNESS PRODUCTS

SKIN TOUCH	147
WELLNESS-SYSTEMS	148
WHIRLPOOL SYSTEMS Overview	149
WHIRLPOOL SYSTEMS	150
MULTIVERSO panelling system for whirl baths	158

KEY



Bathing



Showering



Showerdrainage



Washbasins



Accessories



Meisterstücke and
freestanding bathtubs



System S



Luxstainable



Avantgarde



Ambiente



Advantage

SHOWERING

Page 160 - 225

Ⓢ	NEXSYS.....	162 - 165
◆◆◆	CONOFLAT	166 - 173
	SUPERPLAN PLUS	174 - 177
◆◆◇	ARRONDO.....	178 - 179
	ARRONDO with apron.....	180 - 181
	CORNEZZA	182 - 183
	SCONA	184 - 189
	SUPERPLAN	190 - 197
	SUPERPLAN ZERO	198 - 203
◆◇◇	CAYONOPLAN.....	204 - 209
	DUSCHPLAN.....	210 - 213
	SANIDUSCH	214 - 217
	SUPERPLAN CLASSIC.....	218 - 221
	ZIRKON.....	222 - 225

ACCESSORIES

Page 226 - 253

INSTALLATION

Installation systems	228
Installation system ESR floor-level	231
Extension set ESR floor-level	231
Mounting adhesive	231
Shower tray foot frame FR 5300 FLEX.....	233
Shower tray foot frame FR 5300 FLEX PLUS	234
System Board Nexsys SBN.....	235
Central Support System	236
Wall anchor	237
Universal shower tray feet 5200	237

SUPPLY AND WASTE TECHNOLOGY

Overview waste fittings	238
Waste fittings KA 90.....	240
Waste fittings KA 120 for CONOFLAT and SUPERPLAN PLUS	242
Waste cover	244
NEXSYS Waste fitting	245

SOUND INSULATION

Shower tray sound-absorbing set DW-ADS	246
Shower tray sound-absorbing set DWS	246
Connection sound insulation strip WAS 70.....	246
Installation tape WES 130	246

WATERPROOF

Sealing kit floor-level	247
Sealing kit FLEX	247
Sealing material	247
Cut protection tape	247

SURFACES

INVISIBLE GRIP	248
ANTI-SLIP SECURE PLUS	249
Easy-clean finish	249
Anti-slip and Full anti-slip	250

CLEANING AND CARE

Enamel-Set	251
Enamel-Pen	251
Enamel-Cleaning	251
Cleaning Pen	251

SHOWERDRAINAGE

Page 252 - 257

Ⓛ	FLOWLINE HEATRECOVERY.....	254 - 255
◆◆◇	FLOWLINE ZERO	256 - 257

ACCESSORIES

Page 258 - 258

OUTFLOW TECHNOLOGY

FLOWDRAIN HORIZONTAL REGULAR	258
FLOWDRAIN HORIZONTAL FLAT	258

WASHBASINS

Page 260- 353

◆◆◆	CENTRO Countertop Washbasin (Height of rim 40mm) ...	262 - 263
	CENTRO Countertop Washbasin (Height of rim 120mm) ...	264 - 265
	CENTRO Undercounter Washbasin	266 - 267
	CENTRO Wall-Hung Washbasin	268 - 269
	CONO Built-in Washbasin	270 - 271
	CONO Built-in double Washbasin	272 - 273
	CONO Countertop Handbasin	274 - 275
	CONO Countertop Washbasin (Height of rim 40mm)....	276 - 277
	CONO Countertop Washbasin (Height of rim 120mm)....	278 - 279
	CONO Undercounter Washbasin	280 - 281
	CONO Wall-hung Handbasin	282 - 283
	CONO Wall-hung Washbasin	284 - 285
	CONO Wall-hung double Washbasin	286 - 287
	MIENA Washbowl	288 - 291
	NUEVA Washbowl	292 - 293
	AVELLINO Washbowl	294 - 295
◆◆◇	CLASSIC Undercounter Washbasin	296 - 297
	MING Washbowl	298 - 299
	PURO Built-in Washbasin	300 - 301
	PURO Built-in double Washbasin	302 - 303
	PURO Countertop Handbasin	304 - 305
	PURO Countertop Washbasin (Height of rim 40mm)....	306 - 307
	PURO Countertop Washbasin (Height of rim 120mm)....	308 - 309
	PURO Countertop double Washbasin (Height of rim 120mm)	310 - 313
	PURO S Countertop Washbasin (Height of rim 40mm)....	314 - 315
	PURO S Countertop Washbasin (Height of rim 120mm)....	316 - 317
	PURO Undercounter Washbasin	318 - 319
	PURO Wall-hung Handbasin	320 - 321
	PURO Wall-Hung Washbasin	322 - 323
	PURO Wall-hung double Washbasin	324 - 327
	SILENIO Built-in Washbasin	328 - 329
	SILENIO Built-in double Washbasin	330 - 331
	SILENIO Countertop Washbasin (Height of rim 40mm)....	332 - 333
	SILENIO Countertop Washbasin (Height of rim 120mm) ...	334 - 335
	SILENIO Countertop double Washbasin (Height of rim 120mm)	336 - 337
	SILENIO Undercounter Washbasin	338 - 339
	SILENIO Wall-Hung Washbasin	340 - 341
	SILENIO Wall-hung double Washbasin	342 - 343
◆◇◇	CAYONO Undercounter Washbasin	344 - 345
	CAYONO S Countertop Washbasin	346 - 347
	CAYONO Washbowl	348 - 349
	OBJECT Q Built-in Washbasin	350 - 351
	OBJECT R Built-in Washbasin	352 - 353

ACCESSORIES

Seite 354 - 361

INFLOW/OUTFLOW TECHNOLOGY

CLOU waste and overflow system for lever operation pop-up waste	356
Free-flow waste with enamelled cover	357
Chrome-plated brass permanent drain valve	358
Push-to-open waste with chrome cover	359
Design overflow cover	359

ACCESSORIES

Designer bottle trap	360
Hair catcher	360
Additional charge for requested bore holes.....	360
Built-in soap dispenser	361

BATHS PROGRAMME



RECTANGULAR

Dimension	Depth	Mod.-No.	Model	Page	
1400 x 700	400	360-1/330	SANIFORM PLUS/STAR	114-117	
1500 x 700	400	361-1/331	SANIFORM PLUS/STAR	114-117	
	400	747/753	CAYONO/STAR	102-105	
1600 x 700	400	748/754	CAYONO/STAR	102-105	
	420	103	CLASSIC DUO	64-67	
	420	626/627	DYNA SET/STAR	70-71	
	410	683/685	PURO/STAR	72-75	
	410	684/686	PURO/STAR with side overflow	76-79	
	400	362-1/332	SANIFORM PLUS/STAR	114-117	
	400	362-1/332	SANIFORM V1-V4/STAR	118-119	
	420	956/957	VAIO SET/STAR	98-99	
	1700 x 700	400	749/755	CAYONO/STAR	102-105
		420	105	CLASSIC DUO	64-67
410		687/689	PURO/STAR	72-75	
410		688/690	PURO/STAR with side overflow	76-79	
400		363-1/335	SANIFORM PLUS/STAR	114-117	
420		944/945	VAIO SET/STAR	98-99	
1700 x 730	400	371-1/334	SANIFORM PLUS/STAR	114-117	
1400 x 750	470	366/344	SANIFORM PLUS/STAR	114-117	
1500 x 750	420	624/625	DYNA SET/STAR	70-71	
1600 x 750	400	372-1/333	SANIFORM PLUS/STAR	114-117	
	470	367/345	SANIFORM PLUS/STAR	114-117	
1700 x 750	400	750/756	CAYONO/STAR	102-105	
	400	724	CAYONO DUO	106-107	
	460	132	CENTRO DUO	44-45	
	420	107	CLASSIC DUO	64-67	
	420	1732	MEISTERSTÜCK CONODUO	26-27	
	420	1702	MEISTERSTÜCK CONODUO 1 left	28-29	
	420	1712	MEISTERSTÜCK CONODUO 1 right	30-31	
	420	1722	MEISTERSTÜCK CONODUO 2	32-33	
	420	732	CONODUO	54-55	
	420	620/621	DYNA SET/STAR	70-71	
	410	652/654	PURO/STAR	72-75	
	410	656/658	PURO/STAR with side overflow	76-79	
	410	663	PURO DUO	80-81	
	380	668	PURO SET WIDE left	82-83	
	380	667	PURO SET WIDE right	84-85	
	400	373-1/336	SANIFORM PLUS/STAR	114-117	
	400	674	SILENIO	86-87	
	420	954/955	VAIO SET/STAR	98-99	



RECTANGULAR

Dimension	Depth	Mod.-No.	Model	Page	
1750 x 750	420	374-1/338	SANIFORM/STAR	112-113	
1800 x 750	420	109	CLASSIC DUO	64-67	
1700 x 800	400	740	ASYMMETRIC DUO	42-43	
	410	691/693	PURO/STAR	72-75	
	410	692/694	PURO/STAR with side overflow	76-79	
	420	960/961	VAIO/STAR	88-89	
1800 x 800	400	751/757	CAYONO/STAR	102-105	
	400	725	CAYONO DUO	106-107	
	460	133	CENTRO DUO	44-45	
	420	110	CLASSIC DUO	64-67	
	420	733	CONODUO	54-55	
	420	1733	MEISTERSTÜCK CONODUO	26-27	
	420	1703	MEISTERSTÜCK CONODUO 1 left	28-29	
	420	1713	MEISTERSTÜCK CONODUO 1 right	30-31	
	420	1723	MEISTERSTÜCK CONODUO 2	32-33	
	420	622/623	DYNA SET/STAR	70-71	
	410	653/655	PURO/STAR	72-75	
	410	657/659	PURO/STAR with side overflow	76-79	
	410	664	PURO DUO	80-81	
	420	375-1/337	SANIFORM PLUS/STAR	114-117	
	425	676	SILENIO	86-87	
	420	950	VAIO DUO	90-91	
	420	946/947	VAIO SET/STAR	98-99	
	1800 x 900	400	742	ASYMMETRIC DUO	42-43
	1900 x 900	420	114	CLASSIC DUO	64-67
		420	734-7	CONODUO freestanding	38-39
		420	734	CONODUO	54-55
		410	696/698	PURO/STAR	72-75
		410	697/699	PURO/STAR with side overflow	76-79
410		665	PURO DUO	80-81	
425		678	SILENIO	86-87	
1900 x 1000	400	744	ASYMMETRIC DUO	42-43	
	440	230	ELLIPSO DUO	56-57	
2000 x 1000	420	735-7	CONODUO freestanding	38-39	
	420	735	CONODUO	54-55	

BATHS PROGRAMME



OVAL

Dimension	Depth	Mod.-No.	Model	Page
1600 x 700	420	112	CLASSIC DUO OVAL	68-69
1700 x 700	420	116	CLASSIC DUO OVAL	68-69
1700 x 750	460	1127	MEISTERSTÜCK CENTRO DUO OVAL	16-17
	460	127	CENTRO DUO OVAL	52-53
	420	113-7	CLASSIC DUO OVAL freestanding	36-37
	420	113	CLASSIC DUO OVAL	68-69
	420	1113	MEISTERSTÜCK CLASSIC DUO OVAL	24-25
1630 x 770	419	1050	MEISTERSTÜCK OYO DUO	34-35
1800 x 800	460	1128	MEISTERSTÜCK CENTRO DUO OVAL	16-17
	460	128	CENTRO DUO OVAL	52-53
	420	111-7	CLASSIC DUO OVAL freestanding	36-37
	420	111	CLASSIC DUO OVAL	68-69
	420	1111	MEISTERSTÜCK CLASSIC DUO OVAL	24-25
1730 x 820	419	1051	MEISTERSTÜCK OYO DUO	34-35
	1900 x 1000	440	232-7	ELLIPSO DUO OVAL freestanding
440		232	ELLIPSO DUO OVAL	58-59

SPECIAL FORMS

Dimension	Depth	Mod.-No.	Model	Page
1570 x 700/475	420	834/835	MINI/STAR right	110-111
	420	836/837	MINI/STAR left	108-109
1570 x 750/500	420	830/831	MINI/STAR right	110-111
	420	832/833	MINI/STAR left	108-109
1700 x 750	460	131	CENTRO DUO 2	50-51
	460	1131	MEISTERSTÜCK CENTRO DUO 2	22-23
	460	129	CENTRO DUO 1 left	46-47
	460	130	CENTRO DUO 1 right	48-49
	460	1129	MEISTERSTÜCK CENTRO DUO 1 left	18-19
	460	1130	MEISTERSTÜCK CENTRO DUO 1 right	20-21
1800 x 800	460	135	CENTRO DUO 2	50-51
	460	1135	MEISTERSTÜCK CENTRO DUO 2	22-23
	460	136	CENTRO DUO 1 left	46-47
	460	137	CENTRO DUO 1 right	48-49
	460	1136	MEISTERSTÜCK CENTRO DUO 1 left	18-19
	460	1137	MEISTERSTÜCK CENTRO DUO 1 right	20-21

CORNER

Dimension	Depth	Mod.-No.	Model	Page
1800 x 1200/800	420	192	PLAZA DUO left	60-61
	420	190	PLAZA DUO right	62-63



HEXAGONAL

Dimension	Depth	Mod.-No.	Model	Page
2100 x 800	420	952	VAIO DUO 6	92-93
1900 x 900	420	958/959	VAIO 6/STAR	100-101



OCTAGONAL

Dimension	Depth	Mod.-No.	Model	Page
1800 x 800	420	953	VAIO DUO 8	94-95

SHOWER TRAY PROGRAMME AND ENAMELLED SHOWER SURFACES



SQUARE

Dimension	Depth	Mod.-No.	Model	Page
700 x 700	20	1510	SUPERPLAN ZERO	198-203
750 x 700	140	540	SANIDUSCH	214-215
800 x 700	20	1512	SUPERPLAN ZERO	198-203
800 x 750	65	554	DUSCHPLAN	210-213
	140	548	SANIDUSCH	214-215
	250	558	SANIDUSCH	216-217
	25	1832	SUPERPLAN	190-197
	20	1514	SUPERPLAN ZERO	198-203
	23	908	SCONA	184-189
	800 x 800	18	2251	CAYONOPLAN
23		852	CONOFLAT	166-173
65		542	DUSCHPLAN	210-213
14		2610	NEXSYS	162-165
140		395	SANIDUSCH	214-215
250		495	SANIDUSCH	216-217
23		911	SCONA	184-189
25		1831	SUPERPLAN	190-197
25		386	SUPERPLAN CLASSIC	218-221
25		469	SUPERPLAN PLUS	174-177
20		1516	SUPERPLAN ZERO	198-203
850 x 700		140	541	SANIDUSCH
900 x 700	65	547	DUSCHPLAN	210-213
	140	539	SANIDUSCH	214-215
	23	940	SCONA	184-189
	25	1821	SUPERPLAN	190-197
	20	1518	SUPERPLAN ZERO	198-203
900 x 750	18	2253	CAYONOPLAN	204-209
	23	853	CONOFLAT	166-173
	65	543	DUSCHPLAN	210-213
	140	549	SANIDUSCH	214-215
	250	559	SANIDUSCH	216-217
	23	912	SCONA	184-189
	25	1833	SUPERPLAN	190-197
	25	387	SUPERPLAN CLASSIC	218-221
	20	1520	SUPERPLAN ZERO	198-203
	900 x 800	18	2220	CAYONOPLAN
23		780	CONOFLAT	166-173
65		544	DUSCHPLAN	210-213
16		2611	NEXSYS	162-165
140		551	SANIDUSCH	214-215
23		941	SCONA	184-189
25		1840	SUPERPLAN	190-197
25		388	SUPERPLAN CLASSIC	218-221
20		1522	SUPERPLAN ZERO	198-203
900 x 900		18	2254	CAYONOPLAN
	23	783	CONOFLAT	166-173
	65	545	DUSCHPLAN	210-213
	16	2612	NEXSYS	162-165
	140	396	SANIDUSCH	214-215
	250	496	SANIDUSCH	216-217
	23	913	SCONA	184-189
	25	1848	SUPERPLAN	190-197
	25	390	SUPERPLAN CLASSIC	218-221
	25	475	SUPERPLAN PLUS	174-177
	20	1524	SUPERPLAN ZERO	198-203
	1000 x 700	18	2221	CAYONOPLAN
20		1526	SUPERPLAN ZERO	198-203
1000 x 750	18	2255	CAYONOPLAN	204-209
	65	416	DUSCHPLAN	210-213
	23	942	SCONA	184-189
	25	1834	SUPERPLAN	190-197
	25	402	SUPERPLAN CLASSIC	218-221
	25	476	SUPERPLAN PLUS	174-177
	20	1528	SUPERPLAN ZERO	198-203



SQUARE

Dimension	Depth	Mod.-No.	Model	Page	
1000 x 800	18	2256	CAYONOPLAN	204-209	
	23	781	CONOFLAT	166-173	
	65	546	DUSCHPLAN	210-213	
	18	2613	NEXSYS	162-165	
	140	550	SANIDUSCH	214-215	
	23	914	SCONA	184-189	
	25	1841	SUPERPLAN	190-197	
	25	398	SUPERPLAN CLASSIC	218-221	
	25	477	SUPERPLAN PLUS	174-177	
	20	1530	SUPERPLAN ZERO	198-203	
	1000 x 900	18	2257	CAYONOPLAN	204-209
		23	784	CONOFLAT	166-173
		65	418	DUSCHPLAN	210-213
18		2614	NEXSYS	162-165	
23		915	SCONA	184-189	
25		1849	SUPERPLAN	190-197	
25		404	SUPERPLAN CLASSIC	218-221	
25		478	SUPERPLAN PLUS	174-177	
20		1532	SUPERPLAN ZERO	198-203	
1000 x 1000		18	2258	CAYONOPLAN	204-209
		23	786	CONOFLAT	166-173
		65	392	DUSCHPLAN	210-213
		18	2615	NEXSYS	162-165
	140	397	SANIDUSCH	214-215	
	23	916	SCONA	184-189	
	25	1858	SUPERPLAN	190-197	
	25	391	SUPERPLAN CLASSIC	218-221	
	25	479	SUPERPLAN PLUS	174-177	
	20	1534	SUPERPLAN ZERO	198-203	
1100 x 700	20	1536	SUPERPLAN ZERO	198-203	
1100 x 750	18	2259	CAYONOPLAN	204-209	
	20	1538	SUPERPLAN ZERO	198-203	
1100 x 800	18	2222	CAYONOPLAN	204-209	
	23	787	CONOFLAT	166-173	
	23	943	SCONA	184-189	
	20	1540	SUPERPLAN ZERO	198-203	
1100 x 900	23	788	CONOFLAT	166-173	
	65	419	DUSCHPLAN	210-213	
	20	2616	NEXSYS	162-165	
	23	963	SCONA	184-189	
	25	1850	SUPERPLAN	190-197	
	25	405	SUPERPLAN CLASSIC	218-221	
	25	480	SUPERPLAN PLUS	174-177	
	20	1542	SUPERPLAN ZERO	198-203	
	1100 x 1000	23	854	CONOFLAT	166-173
23		964	SCONA	184-189	
20		1544	SUPERPLAN ZERO	198-203	
1100 x 1100		20	1546	SUPERPLAN ZERO	198-203
1200 x 700	18	2260	CAYONOPLAN	204-209	
	65	415	DUSCHPLAN	210-213	
	23	965	SCONA	184-189	
	25	1824	SUPERPLAN	190-197	
	25	481	SUPERPLAN PLUS	174-177	
	20	1548	SUPERPLAN ZERO	198-203	
	1200 x 750	18	2261	CAYONOPLAN	204-209
		65	417	DUSCHPLAN	210-213
23		966	SCONA	184-189	
25		1835	SUPERPLAN	190-197	
25		482	SUPERPLAN PLUS	174-177	
20	1550	SUPERPLAN ZERO	198-203		

SHOWER TRAY PROGRAMME AND ENAMELLED SHOWER SURFACES

SQUARE

Dimension	Depth	Mod.-No.	Model	Page
1200 x 800	18	2262	CAYONOPLAN	204-209
	23	782	CONOFLAT	166-173
	65	555	DUSCHPLAN	210-213
	22	2617	NEXSYS	162-165
	140	552	SANIDUSCH	214-215
	23	917	SCONA	184-189
	25	1842	SUPERPLAN	190-197
	25	389	SUPERPLAN CLASSIC	218-221
	25	483	SUPERPLAN PLUS	174-177
	20	1552	SUPERPLAN ZERO	198-203
1200 x 900	18	2263	CAYONOPLAN	204-209
	23	785	CONOFLAT	166-173
	65	420	DUSCHPLAN	210-213
	22	2618	NEXSYS	162-165
	23	918	SCONA	184-189
	25	1851	SUPERPLAN	190-197
	25	406	SUPERPLAN CLASSIC	218-221
	25	484	SUPERPLAN PLUS	174-177
	20	1554	SUPERPLAN ZERO	198-203
	1200 x 1000	18	2227	CAYONOPLAN
23		789	CONOFLAT	166-173
65		421	DUSCHPLAN	210-213
22		2619	NEXSYS	162-165
23		967	SCONA	184-189
25		1859	SUPERPLAN	190-197
25		407	SUPERPLAN CLASSIC	218-221
25		485	SUPERPLAN PLUS	174-177
20		1556	SUPERPLAN ZERO	198-203
1200 x 1100		20	1558	SUPERPLAN ZERO
	20	1562	SUPERPLAN ZERO	198-203
1200 x 1200	23	790	CONOFLAT	166-173
	65	422	DUSCHPLAN	210-213
	22	2620	NEXSYS	162-165
	23	968	SCONA	184-189
	25	1865	SUPERPLAN	190-197
	25	399	SUPERPLAN CLASSIC	218-221
	25	486	SUPERPLAN PLUS	174-177
	20	1560	SUPERPLAN ZERO	198-203
1300 x 700	20	1562	SUPERPLAN ZERO	198-203
	20	1564	SUPERPLAN ZERO	198-203
1300 x 800	25	2264	CAYONOPLAN	204-209
	23	791	CONOFLAT	166-173
	23	969	SCONA	184-189
	20	1566	SUPERPLAN ZERO	198-203
1300 x 900	18	2225	CAYONOPLAN	204-209
	23	792	CONOFLAT	166-173
	24	2621	NEXSYS	162-165
	23	970	SCONA	184-189
	25	1852	SUPERPLAN	190-197
	20	1568	SUPERPLAN ZERO	198-203
1300 x 1000	18	2228	CAYONOPLAN	204-209
	23	793	CONOFLAT	166-173
	23	972	SCONA	184-189
	20	1570	SUPERPLAN ZERO	198-203
1400 x 700	65	423	DUSCHPLAN	210-213
	23	974	SCONA	184-189
	25	1826	SUPERPLAN	190-197
	20	1572	SUPERPLAN ZERO	198-203
1400 x 750	65	425	DUSCHPLAN	210-213
	23	975	SCONA	184-189
	25	1836	SUPERPLAN	190-197
20	1574	SUPERPLAN ZERO	198-203	

SQUARE

Dimension	Depth	Mod.-No.	Model	Page	
1400 x 800	25	2266	CAYONOPLAN	204-209	
	23	794	CONOFLAT	166-173	
	26	2622	NEXSYS	162-165	
	23	976	SCONA	184-189	
	25	1843	SUPERPLAN	190-197	
	20	1576	SUPERPLAN ZERO	198-203	
	1400 x 900	25	2267	CAYONOPLAN	204-209
		23	795	CONOFLAT	166-173
		26	2623	NEXSYS	162-165
		23	919	SCONA	184-189
25		1853	SUPERPLAN	190-197	
43		429	SUPERPLAN CLASSIC	218-221	
1400 x 1000	20	1578	SUPERPLAN ZERO	198-203	
	18	2229	CAYONOPLAN	204-209	
	23	796	CONOFLAT	166-173	
	65	427	DUSCHPLAN	210-213	
	26	2624	NEXSYS	162-165	
	23	977	SCONA	184-189	
	25	1860	SUPERPLAN	190-197	
	43	412	SUPERPLAN CLASSIC	218-221	
1500 x 700	20	1580	SUPERPLAN ZERO	198-203	
	23	978	SCONA	184-189	
	25	1827	SUPERPLAN	190-197	
1500 x 750	20	1582	SUPERPLAN ZERO	198-203	
	25	2270	CAYONOPLAN	204-209	
	23	979	SCONA	184-189	
	25	1837	SUPERPLAN	190-197	
1500 x 750	20	1584	SUPERPLAN ZERO	198-203	
	25	2271	CAYONOPLAN	204-209	
	23	855	CONOFLAT	166-173	
	23	982	SCONA	184-189	
1500 x 800	25	1844	SUPERPLAN	190-197	
	20	1586	SUPERPLAN ZERO	198-203	
	25	2272	CAYONOPLAN	204-209	
	23	856	CONOFLAT	166-173	
	23	983	SCONA	184-189	
1500 x 900	25	1854	SUPERPLAN	190-197	
	20	1588	SUPERPLAN ZERO	198-203	
	23	857	CONOFLAT	166-173	
	23	984	SCONA	184-189	
	25	1861	SUPERPLAN	190-197	
1500 x 1000	20	1590	SUPERPLAN ZERO	198-203	
	52	494	SUPERPLAN PLUS	174-177	
	20	1592	SUPERPLAN ZERO	198-203	
	23	985	SCONA	184-189	
1600 x 700	25	1828	SUPERPLAN	190-197	
	20	1594	SUPERPLAN ZERO	198-203	
	25	2275	CAYONOPLAN	204-209	
1600 x 750	23	858	CONOFLAT	166-173	
	25	1838	SUPERPLAN	190-197	
	23	986	SCONA	184-189	
	20	1596	SUPERPLAN ZERO	198-203	
	25	2276	CAYONOPLAN	204-209	
1600 x 800	23	859	CONOFLAT	166-173	
	30	2625	NEXSYS	162-165	
	23	987	SCONA	184-189	
	25	1845	SUPERPLAN	190-197	
	20	1598	SUPERPLAN ZERO	198-203	
	25	2226	CAYONOPLAN	204-209	
	23	860	CONOFLAT	166-173	
1600 x 900	30	2626	NEXSYS	162-165	
	23	988	SCONA	184-189	
	25	1855	SUPERPLAN	190-197	
	20	1600	SUPERPLAN ZERO	198-203	

SHOWER TRAY PROGRAMME AND ENAMELLED SHOWER SURFACES



SQUARE

Dimension	Depth	Mod.-No.	Model	Page
1600 x 1000	25	2230	CAYONOPLAN	204-209
	23	861	CONOFLAT	166-173
	30	2627	NEXSYS	162-165
	23	989	SCONA	184-189
	25	1862	SUPERPLAN	190-197
	20	1602	SUPERPLAN ZERO	198-203
1700 x 700	25	2278	CAYONOPLAN	204-209
	65	424	DUSCHPLAN	210-213
	23	991	SCONA	184-189
	25	1829	SUPERPLAN	190-197
	20	1604	SUPERPLAN ZERO	198-203
1700 x 750	25	2279	CAYONOPLAN	204-209
	23	862	CONOFLAT	166-173
	32	2628	NEXSYS	162-165
	65	426	DUSCHPLAN	210-213
	23	993	SCONA	184-189
	25	1839	SUPERPLAN	190-197
1700 x 800	20	1606	SUPERPLAN ZERO	198-203
	25	2223	CAYONOPLAN	204-209
	25	1846	SUPERPLAN	190-197
20	1608	SUPERPLAN ZERO	198-203	



SQUARE

Dimension	Depth	Mod.-No.	Model	Page
1700 x 900	23	863	CONOFLAT	166-173
	32	2629	NEXSYS	162-165
	24	994	SCONA	184-189
	25	1856	SUPERPLAN	190-197
	20	1610	SUPERPLAN ZERO	198-203
	1700 x 1000	23	864	CONOFLAT
23		995	SCONA	184-189
25		1863	SUPERPLAN	190-197
20		1612	SUPERPLAN ZERO	198-203
1800 x 800	25	2224	CAYONOPLAN	204-209
	23	865	CONOFLAT	166-173
	23	996	SCONA	184-189
	25	1847	SUPERPLAN	190-197
	20	1614	SUPERPLAN ZERO	198-203
1800 x 900	23	866	CONOFLAT	166-173
	23	997	SCONA	184-189
	25	1857	SUPERPLAN	190-197
	20	1616	SUPERPLAN ZERO	198-203
	1800 x 1000	23	867	CONOFLAT
23		998	SCONA	184-189
25		1864	SUPERPLAN	190-197
20		1618	SUPERPLAN ZERO	198-203



QUARTER-CIRCULAR

Dimension	Depth	Mod.-No.	Model	Page
900 x 750	35	501	ZIRKON	222-225
800 x 800	35	600	ZIRKON	222-225
	65	511	ZIRKON	222-225
900 x 800	35	603	ZIRKON	222-225
1000 x 800	35	605	ZIRKON	222-225
750 x 900	35	502	ZIRKON	222-225
800 x 900	35	601	ZIRKON	222-225
900 x 900	25	870	ARRONDO	178-179
	65	871	ARRONDO	178-179
	65	880	ARRONDO with apron	180-181
900 x 900	35	604	ZIRKON	222-225
	65	513	ZIRKON	222-225
800 x 1000	35	602	ZIRKON	222-225
1000 x 1000	25	872	ARRONDO	178-179
	65	873	ARRONDO	178-179
	65	881	ARRONDO with apron	180-181
	35	606	ZIRKON	222-225
	65	510	ZIRKON	222-225



PENTAGONAL

Dimension	Depth	Mod.-No.	Model	Page
900 x 900	25	670	CORNEZZA	182-183
	65	671	CORNEZZA	182-183
1000 x 1000	25	672	CORNEZZA	182-183
	65	673	CORNEZZA	182-183

SHOWERDRAINAGE PROGRAMME

Dimension	Mod.-No.	Model	Page
900 x 55	2400	FLOWLINE ZERO	256-257
1200 x 55	2401	FLOWLINE ZERO	256-257
1500 x 55	2402	FLOWLINE ZERO	256-257

WASHBASINS PROGRAMME

BUILT-IN

Dimension	Depth	Mod.-No.	Model	Page
460 x 460	14	3150	PURO Built-in Washbasin	300-301
ø 475	14	3195	OBJECT R Built-in Washbasin	352-353
	14	3199	OBJECT R Built-in Washbasin	352-353
500 x 500	14	3075	CONO Built-in Washbasin	270-271
600 x 400	14	3196	OBJECT Q Built-in Washbasin	350-351
600 x 460	14	3151	PURO Built-in Washbasin	300-301
	14	3037	SILENIO Built-in Washbasin	328-329
600 x 500	14	3080	CONO Built-in Washbasin	270-271
900 x 460	14	3152	PURO Built-in Washbasin	300-301
	14	3038	SILENIO Built-in Washbasin	328-329
900 x 500	14	3081	CONO Built-in Washbasin	270-271
1200 x 460	14	3169	PURO Built-in Washbasin	300-301
	14	3169	PURO Built-in double Washbasin	302-303
	14	3039	SILENIO Built-in Washbasin	328-329
	14	3039	SILENIO Built-in double Washbasin	330-331
1200 x 500	14	3082	CONO Built-in Washbasin	270-271
	14	3082	CONO Built-in double Washbasin	272-273

UNDERCOUNTER

Dimension	Depth	Mod.-No.	Model	Page
ø 360		3183	CLASSIC Undercounter Washbasin	296-297
ø 420		3182	CLASSIC Undercounter Washbasin	296-297
460 x 385		3159	PURO Undercounter Washbasin	318-319
470 x 381		3078	CONO Undercounter Washbasin	280-281
569 x 382		3087	CONO Undercounter Washbasin	280-281
596 x 426		3190	CAYONO Undercounter Washbasin	344-345
610 x 380		3059	CENTRO Undercounter Washbasin	266-267
600 x 385		3160	PURO Undercounter Washbasin	318-319
634 x 391		3047	SILENIO Undercounter Washbasin	338-339
869 x 382		3088	CONO Undercounter Washbasin	280-281
910 x 380		3060	CENTRO Undercounter Washbasin	266-267
900 x 385		3161	PURO Undercounter Washbasin	318-319
934 x 391		3048	SILENIO Undercounter Washbasin	338-339

WALL-HUNG

Dimension	Depth	Mod.-No.	Model	Page
460 x 460	120	3163	PURO Wall-hung Washbasin	322-323
500 x 500	120	3079	CONO Wall-hung Washbasin	284-285
550 x 300	100	3073	CONO Wall-hung Washbasin	282-283
	100	3162	PURO Wall-hung Washbasin	320-321
600 x 460	120	3164	PURO Wall-hung Washbasin	322-323
	120	3044	SILENIO Wall-hung Washbasin	340-341
600 x 500	120	3061	CENTRO Wall-hung Washbasin	268-269
	120	3089	CONO Wall-hung Washbasin	284-285
900 x 460	120	3165	PURO Wall-hung Washbasin	322-323
	120	3045	SILENIO Wall-hung Washbasin	340-341
900 x 500	120	3062	CENTRO Wall-hung Washbasin	268-269
	120	3090	CONO Wall-hung Washbasin	284-285
1200 x 460	120	3167	PURO Wall-hung Washbasin	322-323
	120	3167	PURO Wall-hung double Washbasin	324-325
	120	3046	SILENIO Wall-hung Washbasin	340-341
	120	3046	SILENIO Wall-hung double Washbasin	342-343
1200 x 500	120	3091	CONO Wall-hung Washbasin	284-285
	120	3091	CONO Wall-hung double Washbasin	286-287
1300 x 460	120	3170	PURO Wall-hung twin Washbasin	326-327

INSET COUNTERTOP 30 mm - 100 mm


























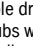

Dimension	Depth	Mod.-No.	Model	Page
460 x 460	40	3153	PURO Countertop Washbasin	306-307
500 x 500	40	3076	CONO Countertop Washbasin	276-277
580 x 415	30	3189	CAYONO S Countertop Washbasin	346-347
600 x 385	40	3173	PURO S Countertop Washbasin	314-315
600 x 460	40	3154	PURO Countertop Washbasin	306-307
	40	3040	SILENIO Countertop Washbasin	332-333
600 x 500	40	3055	CENTRO Countertop Washbasin	262-263
	40	3083	CONO Countertop Washbasin	276-277
900 x 385	40	3174	PURO S Countertop Washbasin	314-315
900 x 460	40	3155	PURO Countertop Washbasin	306-307
	40	3041	SILENIO Countertop Washbasin	332-333
900 x 500	40	3056	CENTRO Countertop Washbasin	262-263
	40	3084	CONO Countertop Washbasin	276-277
550 x 300	100	3074	CONO Countertop Washbasin	274-275
550 x 300	100	3166	PURO Countertop Washbasin	304-305

INSET COUNTERTOP 120 mm

Dimension	Depth	Mod.-No.	Model	Page
460 x 460	120	3156	PURO Countertop Washbasin	308-309
500 x 500	120	3077	CONO Countertop Washbasin	278-279
600 x 385	120	3175	PURO S Countertop Washbasin	316-317
600 x 460	120	3157	PURO Countertop Washbasin	308-309
	120	3042	SILENIO Countertop Washbasin	334-335
600 x 500	120	3057	CENTRO Countertop Washbasin	264-265
	120	3085	CONO Countertop Washbasin	278-279
900 x 385	120	3176	PURO S Countertop Washbasin	316-317
900 x 460	120	3158	PURO Countertop Washbasin	308-309
	120	3043	SILENIO Countertop Washbasin	334-335
900 x 500	120	3058	CENTRO Countertop Washbasin	264-265
	120	3086	CONO Countertop Washbasin	278-279
1200 x 460	120	3168	PURO Countertop Washbasin	308-309
	120	3168	PURO Countertop double Washbasin	310-311
	120	3049	SILENIO Countertop Washbasin	334-335
	120	3049	SILENIO Countertop double Washbasin	336-337
1300 x 460	120	3171	PURO Countertop twin Washbasin	312-313

SPECIAL FORMS

Dimension	Depth	Mod.-No.	Model	Page
ø 300		3203	AVELLINO Washbowl	294-295
ø 310		3193	MIENA Washbowl around	288-289
ø 320		3194	NUEVA Washbowl	292-293
ø 360		3204	AVELLINO Washbowl	294-295
ø 380		3181	MIENA Washbowl around	288-289
ø 380		3191	NUEVA Washbowl	292-293
ø 400		3187	MING Washbowl	298-299
400 x 400		3184	MIENA Washbowl angular	290-291
ø 450		3205	AVELLINO Washbowl	294-295
ø 450		3180	MIENA Washbowl around	288-289
520 x 355		3188	CAYONO Washbowl	348-349
580 x 380		3185	MIENA Washbowl angular	290-291

12-DIGIT ORDER NUMBER BATHTUBS / EXAMPLES			
	Model	Equipment / Variant	Colour/INVISIBLE GRIP/easy-clean finish
Art. indication	Bath 	Standard 	alpine white with INVISIBLE GRIP* 
Order No.	xxxx	0001	1001
Art. indication	Bath 	with anti-slip 	alpine white with easy-clean finish 
Order No.	xxxx	3000	3001
Art. indication	Bath 	with full anti-slip 	
Order No.	xxxx	3401	xxxx
Bathtubs with overflow hole opposite			
Art. indication	Bath 	with overflow hole opposite 	
Order No.	xxxx	2300	xxxx
Art. indication	Bath 	with overflow hole opposite and anti-slip 	
Order No.	xxxx	2706	xxxx
Art. indication	Bath 	with overflow hole opposite and full anti-slip 	
Order No.	xxxx	2709	xxxx
Duo-Bathtubs with with one grip			
Art. indication	Bath 	Grip hole drilling for Duo bathtubs with one grip 	
Order No.	xxxx	1011	xxxx
Art. indication	Bath 	Grip hole drilling for Duo bathtubs with one grip and anti-slip 	
Order No.	xxxx	1022	xxxx
Art. indication	Bath 	Grip hole drilling for Duo bathtubs with one grip and full anti-slip 	
Order No.	xxxx	1021	xxxx

* Attention: INVISIBLE GRIP cannot be combined with pearl effect and partial anti-slip/full anti-slip. IG only possible in FPG I. Subject to technical alterations. Further article numbers on request in Customer Service.

ORDER NUMBER

12-DIGIT ORDER NUMBER SHOWER TRAYS / EXAMPLES

	Model	Equipment / Variant	Colour/INVISIBLE GRIP*/SECURE PLUS*/ easy-clean finish
Art. indication	Shower tray ↓	Standard version without support or coating ↓	alpine white with INVISIBLE GRIP* ↓
Order No.	xxxx	0001	1001
Art. indication	Shower tray ↓	Standard version without support or coating ↓	alpine white matt with SECURE PLUS* ↓
Order No.	xxxx	0001	2711
Art. indication	Shower tray ↓	without support, with partial anti-slip ↓	alpine white with easy-clean finish ↓
Order No.	xxxx	3000	3001
Art. indication	Shower tray ↓	without support, with full anti-slip ↓	 ↓
Order No.	xxxx	3002	xxxx
Shower surface with 2 low profile supports			
Art. indication	Shower tray ↓	with Support ↓	 ↓
Order No.	xxxx	4804	xxxx
Art. indication	Shower tray ↓	with support and partial anti-slip ↓	 ↓
Order No.	xxxx	3500	xxxx
Art. indication	Shower tray ↓	with support and full anti-slip ↓	 ↓
Order No.	xxxx	3504	xxxx
Shower surface with 5 low profile supports			
Art. indication	Shower tray ↓	with low profile supports ↓	 ↓
Order No.	xxxx	4798	xxxx
Art. indication	Shower tray ↓	with low profile supports and anti-slip ↓	 ↓
Order No.	xxxx	4793	xxxx
Art. indication	Shower tray ↓	with low profile supports and full anti-slip ↓	 ↓
Order No.	xxxx	4794	xxxx

* Attention: INVISIBLE GRIP and ANTISLIP SECURE PLUS cannot be combined with pearl effect and partial anti-slip/full anti-slip. IG only possible in FPG I; SEC only possible with FPG I and IV. Subject to technical alterations. Further article numbers on request in Customer Service.



BATHTUBS

KALDEWEI bathtubs transform every bathroom into a place of relaxation. With us, you will find the perfect bathtub for small bathrooms, for large bathrooms the bathtub for 2, bathtubs for corner installation or free-standing ones. The great variety of shapes and the numerous features make the individual design of your personal dream bathtub possible.

And whichever you choose: The timelessly elegant design and distinguished materials are always included in a KALDEWEI bathtub.

OUR PRODUCT ADVANTAGES:

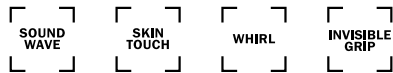
- Made in Germany since 1918
- Brilliant shine
- Steel enamel is plastic-free
- Especially stable with low weight
- Steel enamel is heated quickly by water
- Especially sustainable and recyclable
- 30 year manufacturer guarantee*

MEISTERSTÜCK CENTRO DUO OVAL

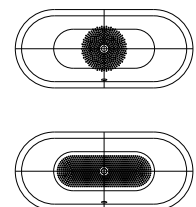
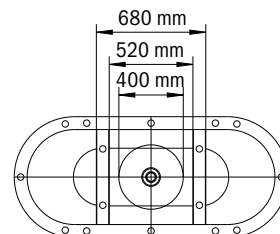
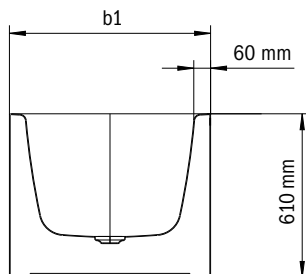
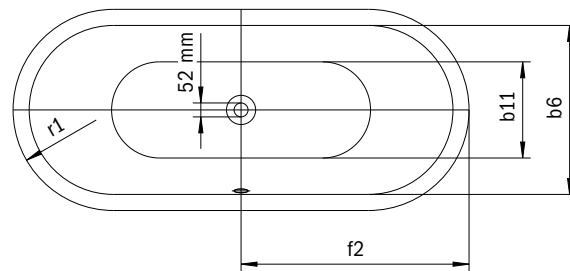
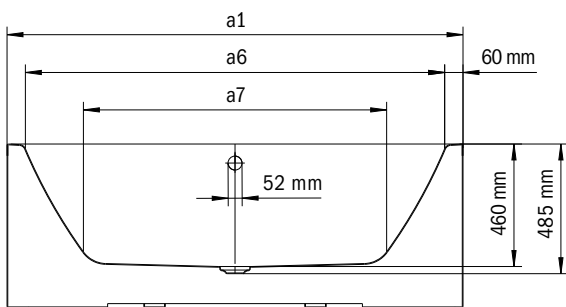
- Free-standing bathtub made of high-quality steel enamel
- Pure simplicity and unpretentious elegance are what distinguish these baths
- The moulded panel emphasises the high design standard and enables the bath to be free-standing
- Enamelled waste cover and overflow knob integrated in the bath design (also available with filling function)
- Bathing with a friend: two identical back rests and centrally positioned waste



Similar illustration



	ALPINE WHITE	BAHAMABEIGE	MANHATTAN	PERGAMON	BLACK	COORDINATED COLOURS	ALPINE WHITE MATT	WARM BEIGE 20	WARM BEIGE 40	WARM GREY 10	WARM GREY 30	WARM GREY 50	WARM GREY 60	WARM GREY 70	WARM GREY 80	WARM GREY 85	WARM GREY 90	COOL GREY 30	COOL GREY 40	COOL GREY 70	COOL GREY 80	COOL GREY 90	BLACK MATT 100	
MEISTERSTÜCK	001	SANITARY COLOURS																						



Model	External length [mm]	External length (bottom) [mm]	Internal length (top) [mm]	Internal length (bottom) [mm]	External width [mm]	External width (bottom) [mm]	Internal width (top) [mm]	Internal width (bottom) [mm]	Distance bath edge to centre of waste hole [mm]	Distance foot end of bath edge to centre of foot [mm]	Distance between the feet [mm]	Width of feet max. [mm]	External radius [mm]	Fill fitting connection [mm]	Waste connection diameter [mm]	Water volume [l]	Net weight [kg]
	a ₁	a ₃	a ₆	a ₇	b ₁	b ₃	b ₆	b ₁₁	f ₂	h ₂	h ₄	h ₆	r ₁				
1127	1700	-	1580	1130	750	-	630	510	850	-	-	-	375	3/4"	40/50	156	120
1128	1800	-	1680	1230	800	-	680	560	900	-	-	-	400	3/4"	40/50	195	139

	Model	Order No.	Dimensions (mm)	EUR		
				Alpine White (I)	Sanitary Colours (II, III)	Coord. Colours (IV)
MEISTERSTÜCK CENTRO DUO OVAL	1127-4040	2001 4040 x001	1700 x 750 x 460	7,046.00		
pre-assembled in factory						
with special waste and overflow fitting KA 4040	1128-4040	2002 4040 x001	1800 x 800 x 460	7,784.00		
with enamelled waste and overflow						
MEISTERSTÜCK CENTRO DUO OVAL	1127-4041	2001 4041 x001	1700 x 750 x 460	7,397.00		
pre-assembled in factory						
with special waste and overflow set KA 4041	1128-4041	2002 4041 x001	1800 x 800 x 460	8,135.00		
with integrated filling function						
with enamelled waste and overflow						
The KA 4041 fitting requires a non-return valve. These are not included.						

OPTIONAL: SURFACE FINISHES	Model	Order No.	Price	EUR		
				Alpine White (I)	Sanitary Colours (II, III)	Coord. Colours (IV)
INVISIBLE GRIP		xxxxxxx1xxx	167.50			
Almost invisible slip resistance on the standing surface. Cannot be combined with easy-clean finish.						
Easy-clean finish		xxxxxxx3xxx	94.00			
Full anti-slip			370.00			
Partial anti-slip			298.00			

OPTIONAL: SOUND SYSTEM •¹	Model	Order No.	Price	EUR		
				Alpine White (I)	Sanitary Colours (II, III)	Coord. Colours (IV)
SOUND WAVE	6802	5845 7613 0000	686.00			
SOUND WAVE can be used with all KALDEWEI bathtubs, except models with polystyrene support and whirl systems!						

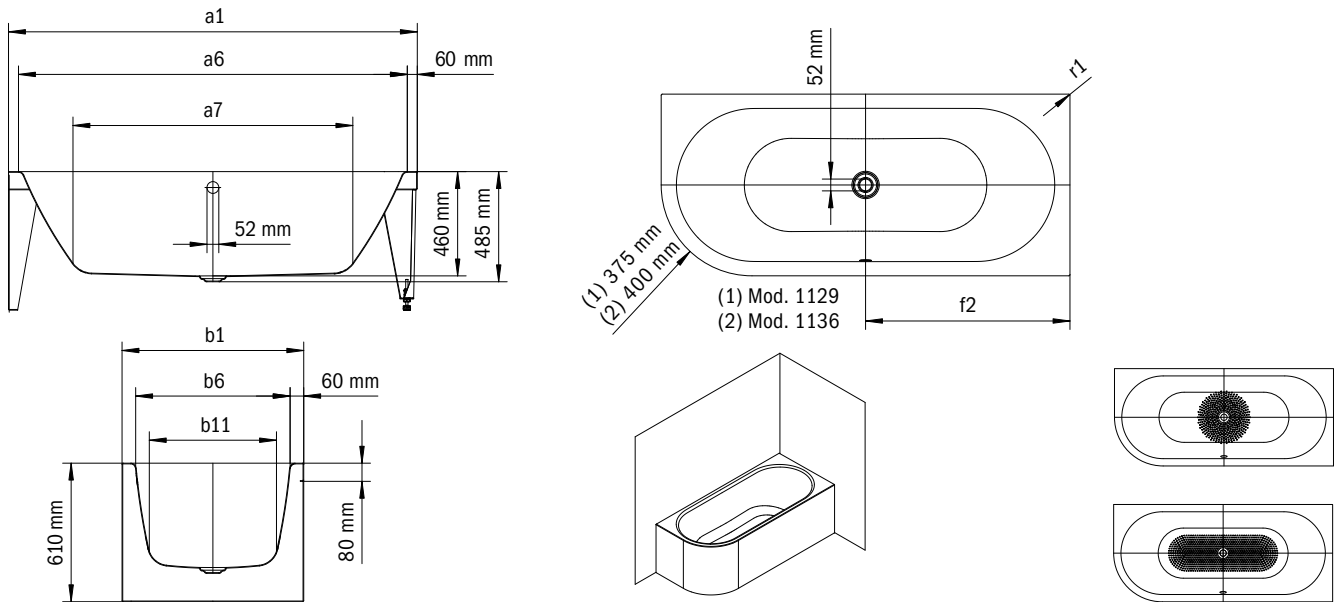
MEISTERSTÜCK CENTRO DUO 1 LEFT

- Bath made of high-quality steel enamel with enamelled panelling on two sides
- Specially designed for corner installation
- Available as right or left-hand model
- Pure simplicity and unpretentious elegance are what distinguish these baths
- Enamelled waste cover and overflow knob integrated in the bath design (also available with filling function)



Similar illustration

	ALPINE WHITE	BAHAMABEIGE	MANHATTAN	PERGAMON	BLACK	COORDINATED COLOURS	ALPINE WHITE MATT	WARM BEIGE 20	WARM BEIGE 40	WARM GREY 10	WARM GREY 30	WARM GREY 50	WARM GREY 60	WARM GREY 70	WARM GREY 80	WARM GREY 85	WARM GREY 90	COOL GREY 30	COOL GREY 40	COOL GREY 70	COOL GREY 80	COOL GREY 90	BLACK MATT 100	
MEISTERSTÜCK	001	SANITARY COLOURS																						



Model	External length [mm]	External length (bottom) [mm]	Internal length (top) [mm]	Internal length (bottom) [mm]	External width [mm]	External width (bottom) [mm]	Internal width (top) [mm]	Internal width (bottom) [mm]	Distance bath edge to centre of waste hole [mm]	Distance foot end of bath edge to centre of foot [mm]	Distance between the feet [mm]	Width of feet max. [mm]	External radius [mm]	Fill fitting connection [mm]	Waste connection diameter [mm]	Water volume [l]	Net weight [kg]
	a ₁	a ₃	a ₆	a ₇	b ₁	b ₃	b ₆	b ₁₁	f ₂	h ₂	h ₄	h ₆	r ₁				
1129	1700	-	1580	1130	750	-	630	510	850	-	-	-	5	3/4"	40/50	156	99
1136	1800	-	1680	1230	800	-	680	560	900	-	-	-	5	3/4"	40/50	195	110

	Model	Order No.	Dimensions (mm)	Alpine White (I)	Sanitary Colours (II, III)	Coord. Colours (IV)	EUR
MEISTERSTÜCK CENTRO DUO 1 LEFT CORNER INSTALLATION (2-SIDED)	1129-4040	2020 4040 x001	1700 x 750 x 460	6,018.00			
pre-assembled in factory with special waste and overflow fitting KA 4040 with enamelled waste and overflow	1136-4040	2009 4040 x001	1800 x 800 x 460	6,639.00			
MEISTERSTÜCK CENTRO DUO 1 LEFT CORNER INSTALLATION (2-SIDED)	1129-4041	2020 4041 x001	1700 x 750 x 460	6,369.00			
pre-assembled in factory with special waste and overflow set KA 4041 with integrated filling func-tion with enamelled waste and overflow The KA 4041 fitting requires a non-return valve. These are not included.	1136-4041	2009 4041 x001	1800 x 800 x 460	6,990.00			

OPTIONAL: SURFACE FINISHES	Model	Order No.	Price	Alpine White (I)	Sanitary Colours (II, III)	Coord. Colours (IV)
INVISIBLE GRIP Almost invisible slip resistance on the standing surface. Cannot be combined with easy-clean finish.		xxxxxxx1xxx	167.50			
Easy-clean finish		xxxxxxx3xxx	94.00			
Full anti-slip			370.00			
Partial anti-slip			298.00			

OPTIONAL: SOUND SYSTEM •¹	Model	Order No.	Price	Alpine White (I)	Sanitary Colours (II, III)	Coord. Colours (IV)
SOUND WAVE SOUND WAVE can be used with all KALDEWEI bathtubs, except models with polystyrene support and whirl systems!	6802	5845 7613 0000	686.00			

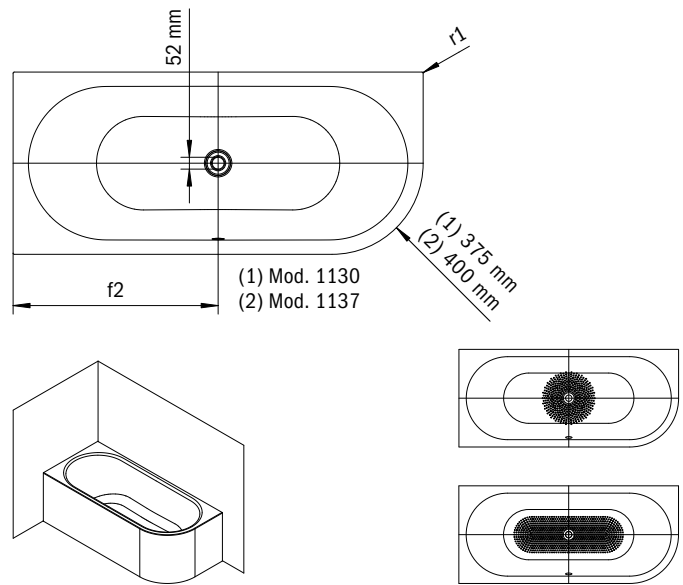
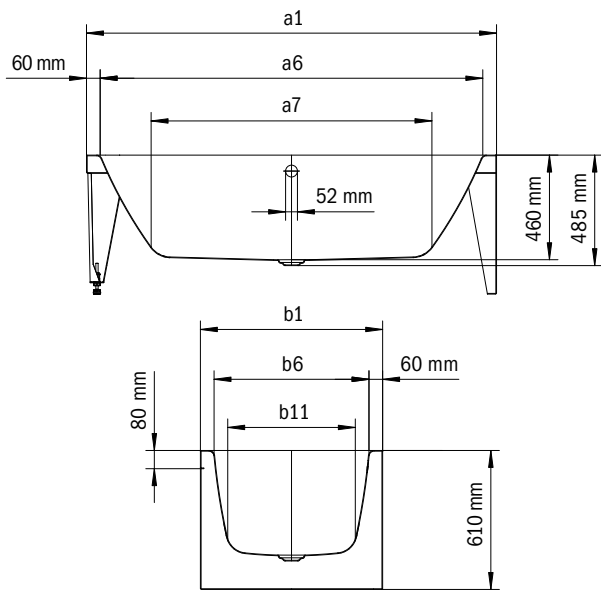
MEISTERSTÜCK CENTRO DUO 1 RIGHT

- Bath made of high-quality steel enamel with enamelled panelling on two sides
- Specially designed for corner installation
- Available as right or left-hand model
- Pure simplicity and unpretentious elegance are what distinguish these baths
- Enamelled waste cover and overflow knob integrated in the bath design (also available with filling function)



Similar illustration

MEISTERSTÜCK	ALPINE WHITE	BAHAMABEIGE	MANHATTAN	PERGAMON	BLACK	COORDINATED COLOURS	ALPINE WHITE MATT	WARM BEIGE 20	WARM BEIGE 40	WARM GREY 10	WARM GREY 30	WARM GREY 50	WARM GREY 60	WARM GREY 70	WARM GREY 80	WARM GREY 85	WARM GREY 90	COOL GREY 30	COOL GREY 40	COOL GREY 70	COOL GREY 80	COOL GREY 90	BLACK MATT 100
	001	SANITARY COLOURS																					



Model	External length [mm]	External length (bottom) [mm]	Internal length (top) [mm]	Internal length (bottom) [mm]	External width [mm]	External width (bottom) [mm]	Internal width (top) [mm]	Internal width (bottom) [mm]	Distance bath edge to centre of waste hole [mm]	Distance foot end of bath edge to centre of foot [mm]	Distance between the feet [mm]	Width of feet max. [mm]	External radius [mm]	Fill fitting connection [mm]	Waste connection diameter [mm]	Water volume [l]	Net weight [kg]
	a ₁	a ₃	a ₆	a ₇	b ₁	b ₃	b ₆	b ₁₁	f ₂	h ₂	h ₄	h ₆	r ₁				
1130	1700	-	1580	1130	750	-	630	510	850	-	-	-	5	3/4"	40/50	156	99
1137	1800	-	1680	1230	800	-	680	560	900	-	-	-	5	3/4"	40/50	195	110

	Model	Order No.	Dimensions (mm)	Alpine White (I)	Sanitary Colours (II, III)	Coord. Colours (IV)	EUR
MEISTERSTÜCK CENTRO DUO 1 RIGHT CORNER INSTALLATION (2-SIDED)	1130-4040	2021 4040 x001	1700 x 750 x 460	6,018.00			
pre-assembled in factory with special waste and overflow fitting KA 4040 with enamelled waste and overflow	1137-4040	2010 4040 x001	1800 x 800 x 460	6,639.00			
MEISTERSTÜCK CENTRO DUO 1 RIGHT CORNER INSTALLATION (2-SIDED)	1130-4041	2021 4041 x001	1700 x 750 x 460	6,369.00			
pre-assembled in factory with special waste and overflow set KA 4041 with integrated filling func-tion with enamelled waste and overflow The KA 4041 fitting requires a non-return valve. These are not included.	1137-4041	2010 4041 x001	1800 x 800 x 460	6,990.00			

OPTIONAL: SURFACE FINISHES	Model	Order No.	Price	Alpine White (I)	Sanitary Colours (II, III)	Coord. Colours (IV)
INVISIBLE GRIP Almost invisible slip resistance on the standing surface. Cannot be combined with easy-clean finish.		xxxxxxx1xxx	167.50			
Easy-clean finish		xxxxxxx3xxx	94.00			
Full anti-slip			370.00			
Partial anti-slip			298.00			

OPTIONAL: SOUND SYSTEM •¹	Model	Order No.	Price	Alpine White (I)	Sanitary Colours (II, III)	Coord. Colours (IV)
SOUND WAVE SOUND WAVE can be used with all KALDEWEI bathtubs, except models with polystyrene support and whirl systems!	6802	5845 7613 0000	686.00			

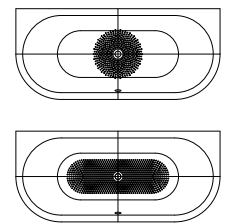
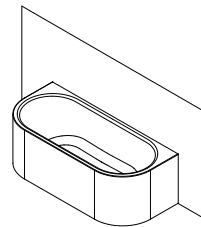
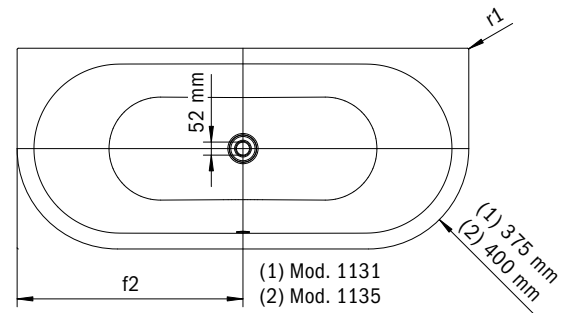
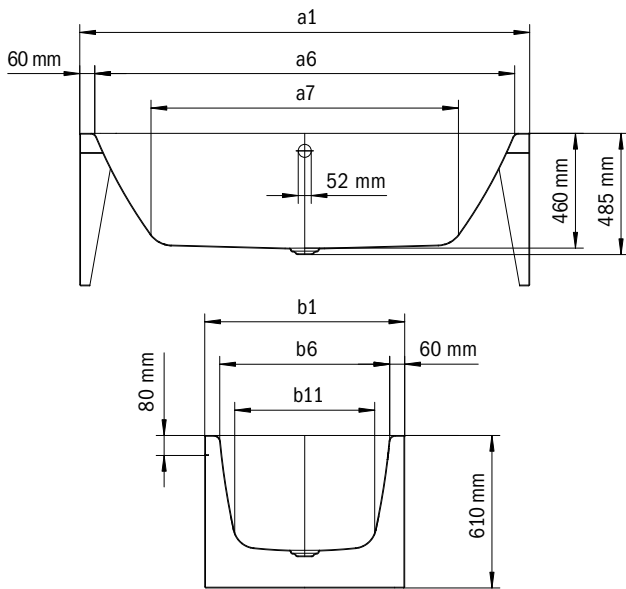
MEISTERSTÜCK CENTRO DUO 2

- Bath made of high-quality steel enamel with enamelled panelling on three sides
- Pure simplicity and unpretentious elegance are what distinguish these baths
- Enamelled waste cover and overflow knob integrated in the bath design (also available with filling function)



Similar illustration

	ALPINE WHITE	BAHAMABEIGE	MANHATTAN	PERGAMON	BLACK	COORDINATED COLOURS	ALPINE WHITE MATT	WARM BEIGE 20	WARM BEIGE 40	WARM GREY 10	WARM GREY 30	WARM GREY 50	WARM GREY 60	WARM GREY 70	WARM GREY 80	WARM GREY 85	WARM GREY 90	COOL GREY 30	COOL GREY 40	COOL GREY 70	COOL GREY 80	COOL GREY 90	BLACK MATT 100	
MEISTERSTÜCK	001	SANITARY COLOURS																						



Model	External length [mm]	External length (bottom) [mm]	Internal length (top) [mm]	Internal length (bottom) [mm]	External width [mm]	External width (bottom) [mm]	Internal width (top) [mm]	Internal width (bottom) [mm]	Distance bath edge to centre of waste hole [mm]	Distance foot end of bath edge to centre of foot [mm]	Distance between the feet [mm]	Width of feet max. [mm]	External radius [mm]	Fill fitting connection [mm]	Waste connection diameter [mm]	Water volume [l]	Net weight [kg]
	a ₁	a ₃	a ₆	a ₇	b ₁	b ₃	b ₆	b ₁₁	f ₂	h ₂	h ₄	h ₆	r ₁				
1131	1700	-	1580	1130	750	-	630	510	850	-	-	-	5	3/4"	40/50	156	103
1135	1800	-	1680	1230	800	-	680	560	900	-	-	-	5	3/4"	40/50	195	114

	Model	Order No.	Dimensions (mm)	EUR		
				Alpine White (I)	Sanitary Colours (II, III)	Coord. Colours (IV)
MEISTERSTÜCK CENTRO DUO 2	1131-4040	2022 4040 x001	1700 x 750 x 460	6,354.00		
pre-assembled in factory						
with special waste and overflow fitting KA 4040	1135-4040	2023 4040 x001	1800 x 800 x 460	7,022.00		
with enamelled waste and overflow						
MEISTERSTÜCK CENTRO DUO 2	1131-4041	2022 4041 x001	1700 x 750 x 460	6,705.00		
pre-assembled in factory						
with special waste and overflow set KA 4041	1135-4041	2023 4041 x001	1800 x 800 x 460	7,373.00		
with integrated filling function						
with enamelled waste and overflow						
The KA 4041 fitting requires a non-return valve. These are not included.						

OPTIONAL: SURFACE FINISHES	Model	Order No.	Price	EUR		
				Alpine White (I)	Sanitary Colours (II, III)	Coord. Colours (IV)
INVISIBLE GRIP		xxxxxxx1xxx	167.50			
Almost invisible slip resistance on the standing surface. Cannot be combined with easy-clean finish.						
Easy-clean finish		xxxxxxx3xxx	94.00			
Full anti-slip			370.00			
Partial anti-slip			298.00			

OPTIONAL: SOUND SYSTEM •¹	Model	Order No.	Price	EUR		
				Alpine White (I)	Sanitary Colours (II, III)	Coord. Colours (IV)
SOUND WAVE	6802	5845 7613 0000	686.00			
SOUND WAVE can be used with all KALDEWEI bathtubs, except models with polystyrene support and whirl systems!						

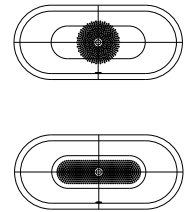
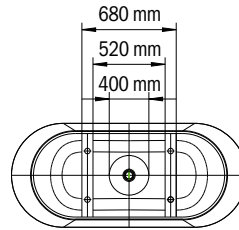
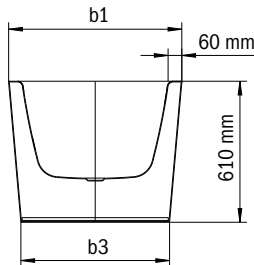
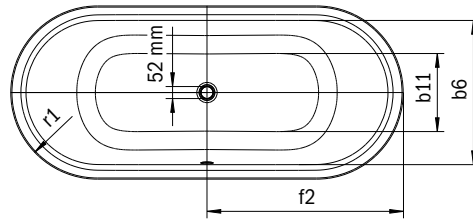
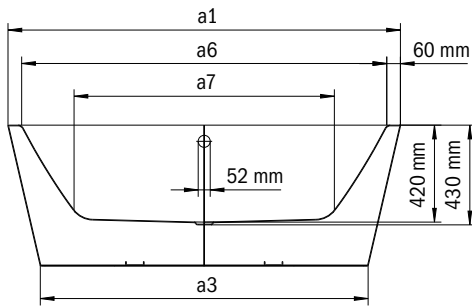
MEISTERSTÜCK CLASSIC DUO OVAL

- Free-standing bathtub with seamless panelling all the way around forms a monolithic unit made of KALDEWEI steel enamel
- Archetypal design with oval contours and a stunning conical exterior appeals anywhere in the room. The distinctly narrow edge lends the bath a uniquely harmonious aesthetic
- Two gently sloping backrests and the central waste and overflow fitting ensure relaxed bathing with a partner
- As an option, the Meisterstück can be equipped with pearl effect, a durable easy-clean surface, as well as the matching KALDEWEI COMFORT LEVEL waste/overflow set



Similar illustration

MEISTERSTÜCK	ALPINE WHITE	BAHAMABEIGE	MANHATTAN	PERGAMON	BLACK	COORDINATED COLOURS	ALPINE WHITE MATT	WARM BEIGE 20	WARM BEIGE 40	WARM GREY 10	WARM GREY 30	WARM GREY 50	WARM GREY 60	WARM GREY 70	WARM GREY 80	WARM GREY 85	WARM GREY 90	COOL GREY 30	COOL GREY 40	COOL GREY 70	COOL GREY 80	COOL GREY 90	BLACK MATT 100
	001	SANITARY COLOURS																					



Model	External length [mm]	External length (bottom) [mm]	Internal length (top) [mm]	Internal length (bottom) [mm]	External width [mm]	External width (bottom) [mm]	Internal width (top) [mm]	Internal width (bottom) [mm]	Distance bath edge to centre of waste hole [mm]	Distance foot end of bath edge to centre of foot [mm]	Distance between the feet [mm]	Width of feet max. [mm]	External radius [mm]	Water volume [l]	Net weight [kg]	Fill fitting connection [mm]	Waste connection diameter [mm]
	a ₁	a ₃	a ₆	a ₇	b ₁	b ₃	b ₆	b ₁₁	f ₂	h ₂	h ₄	h ₆	r ₁				
1113	1700	1418	1580	1130	750	643	630	500	850	-	-	-	375	124	117	1/2"	40/50
1111	1800	1518	1680	1230	800	693	680	550	900	-	-	-	400	158	139	1/2"	40/50

	Model	Order No.	Dimensions (mm)	Alpine White (I)	Sanitary Colours (II, III)	Coord. Colours (IV)	EUR
MEISTERSTÜCK CLASSIC DUO OVAL without drain and overflow fitting	1113	2029 4268 x001	1700 x 750 x 420	5,143.00			
	1111	2026 4268 x001	1800 x 800 x 420	5,316.00			
MEISTERSTÜCK CLASSIC DUO OVAL pre-assembled in factory with waste and overflow fitting chrome KA 4002	1113-4002	2029 4075 x001	1700 x 750 x 420	5,532.00			
	1111-4002	2026 4075 x001	1800 x 800 x 420	5,705.00			
MEISTERSTÜCK CLASSIC DUO OVAL pre-assembled in factory with waste and overflow fitting chrome with integrated filling function KA 4012 The KA 4012 fitting requires a non-return valve and connection hose. This is not included.	1113-4012	2029 4267 x001	1700 x 750 x 420	5,717.00			
	1111-4012	2026 4267 x001	1800 x 800 x 420	5,890.00			
Version with waste and overflow set KA4002 alpine white		xxxx 4245 xxxx		without extra charge			
Version with waste and overflow set with integrated filling function KA4012 alpine white		xxxx 4276 xxxx		without extra charge			
Version with waste and overflow set KA4002 black matt 100		xxxx 4355 xxxx		without extra charge			
Version with waste and overflow set with integrated filling function KA4012 black matt 100		xxxx 4356 xxxx		without extra charge			

OPTIONAL: SURFACE FINISHES	Model	Order No.	Price	Alpine White (I)	Sanitary Colours (II, III)	Coord. Colours (IV)
INVISIBLE GRIP Almost invisible slip resistance on the standing surface. Cannot be combined with easy-clean finish.		xxxxxxxx1xxx	167.50			
Easy-clean finish		xxxxxxxx3xxx	94.00			
Full anti-slip			370.00			
Partial anti-slip			298.00			

OPTIONAL: SOUND SYSTEM •¹	Model	Order No.	Price	Alpine White (I)	Sanitary Colours (II, III)	Coord. Colours (IV)
SOUND WAVE SOUND WAVE can be used with all KALDEWEI bathtubs, except models with polystyrene support and whirl systems!	6802	5845 7613 0000	686.00			

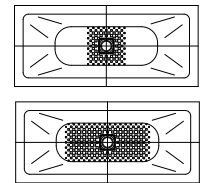
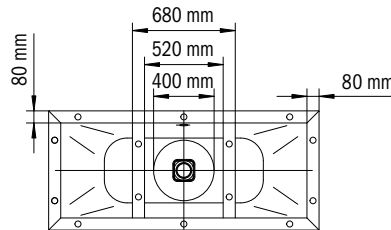
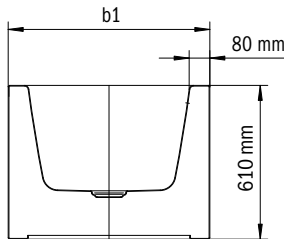
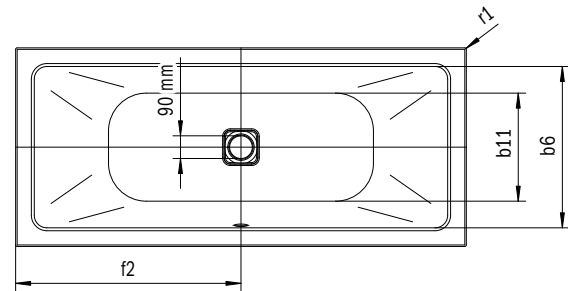
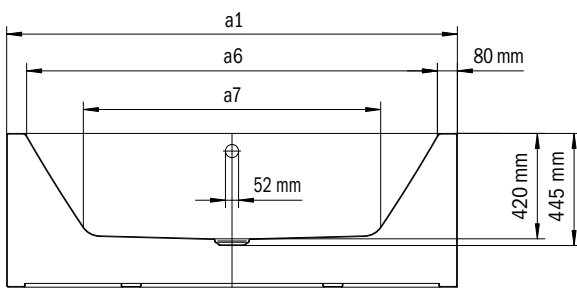
MEISTERSTÜCK CONODUO

- Free-standing bathtub made of high-quality steel enamel
- Straight-lined, purist design
- Classic four-cornered model
- Enamelled waste cover and overflow knob integrated in the bath design (also available with filling function)
- Bathing with a friend: two identical back rests and centrally positioned waste
- Designed by Sottsass Associati



Similar illustration

MEISTERSTÜCK	ALPINE WHITE	BAHAMABEIGE	MANHATTAN	PERGAMON	BLACK	COORDINATED COLOURS	ALPINE WHITE MATT	WARM BEIGE 20	WARM BEIGE 40	WARM GREY 10	WARM GREY 30	WARM GREY 50	WARM GREY 60	WARM GREY 70	WARM GREY 80	WARM GREY 85	WARM GREY 90	COOL GREY 30	COOL GREY 40	COOL GREY 70	COOL GREY 80	COOL GREY 90	BLACK MATT 100
	001	SANITARY COLOURS																					



Model	External length [mm]	External length (bottom) [mm]	Internal length (top) [mm]	Internal length (bottom) [mm]	External width [mm]	External width (bottom) [mm]	Internal width (top) [mm]	Internal width (bottom) [mm]	Distance bath edge to centre of waste hole [mm]	Distance foot end of bath edge to centre of foot [mm]	Distance between the feet [mm]	Width of feet max. [mm]	External radius [mm]	Fill fitting connection [mm]	Waste connection diameter [mm]	Water volume [l]	Net weight [kg]
	a ₁	a ₃	a ₆	a ₇	b ₁	b ₃	b ₆	b ₁₁	f ₂	h ₂	h ₄	h ₆	r ₁				
1732	1700	-	1540	1080	750	-	590	470	850	-	-	-	5	3/4"	40/50	122	154
1733	1800	-	1640	1180	800	-	640	520	900	-	-	-	5	3/4"	40/50	159	170

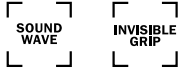
	Model	Order No.	Dimensions (mm)	Alpine White (I)	Sanitary Colours (II, III)	Coord. Colours (IV)	EUR
MEISTERSTÜCK CONODUO	1732-4080	2006 4080 x001	1700 x 750 x 420	6,630.00			
pre-assembled in factory							
with special waste and overflow fitting KA 4080	1733-4080	2007 4080 x001	1800 x 800 x 420	7,179.00			
with enamelled waste and overflow							
MEISTERSTÜCK CONODUO	1732-4081	2006 4081 x001	1700 x 750 x 420	6,981.00			
pre-assembled in factory							
with special waste and overflow set KA 4081	1733-4081	2007 4081 x001	1800 x 800 x 420	7,530.00			
with integrated filling function							
with enamelled waste and overflow							
The KA 4081 fitting requires a non-return valve. These are not included.							

OPTIONAL: SURFACE FINISHES	Model	Order No.	Price	Alpine White (I)	Sanitary Colours (II, III)	Coord. Colours (IV)
INVISIBLE GRIP		xxxxxxx1xxx	167.50			
Almost invisible slip resistance on the standing surface. Cannot be combined with easy-clean finish.						
Easy-clean finish		xxxxxxx3xxx	94.00			
Full anti-slip			370.00			
Partial anti-slip			298.00			

OPTIONAL: SOUND SYSTEM •¹	Model	Order No.	Price	Alpine White (I)	Sanitary Colours (II, III)	Coord. Colours (IV)
SOUND WAVE	6802	5845 7613 0000	686.00			
SOUND WAVE can be used with all KALDEWEI bathtubs, except models with polystyrene support and whirl systems!						

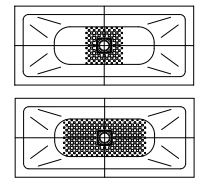
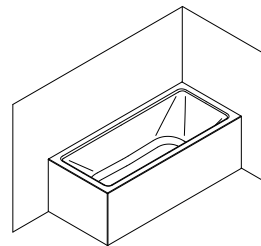
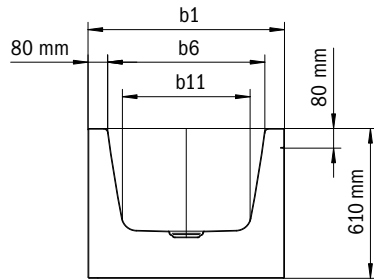
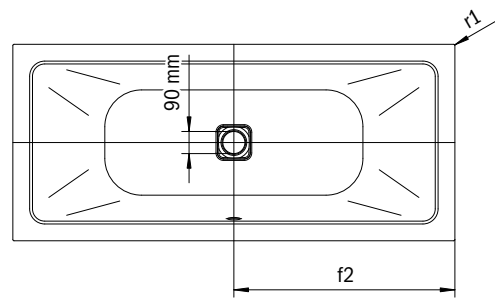
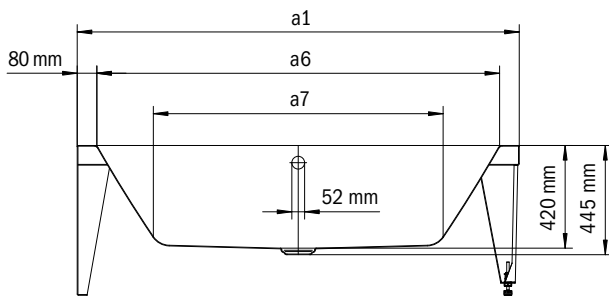
MEISTERSTÜCK CONODUO 1 LEFT

- Bath made of high-quality steel enamel with enamelled panelling on two sides
- Specially designed for corner installation
- Available as right or left-hand model
- Straight-lined, purist design
- Enamelled waste cover and overflow knob integrated in the bath design (also available with filling function)
- Designed by Sottsass Associati



Similar illustration

MEISTERSTÜCK	ALPINE WHITE	BAHAMABEIGE	MANHATTAN	PERGAMON	BLACK	COORDINATED COLOURS	ALPINE WHITE MATT	WARM BEIGE 20	WARM BEIGE 40	WARM GREY 10	WARM GREY 30	WARM GREY 50	WARM GREY 60	WARM GREY 70	WARM GREY 80	WARM GREY 85	WARM GREY 90	COOL GREY 30	COOL GREY 40	COOL GREY 70	COOL GREY 80	COOL GREY 90	BLACK MATT 100
	001	SANITARY COLOURS																					



Model	External length [mm]	External length (bottom) [mm]	Internal length (top) [mm]	Internal length (bottom) [mm]	External width [mm]	External width (bottom) [mm]	Internal width (top) [mm]	Internal width (bottom) [mm]	Distance bath edge to centre of waste hole [mm]	Distance foot end of bath edge to centre of foot [mm]	Distance between the feet [mm]	Width of feet max. [mm]	External radius [mm]	Fill fitting connection [mm]	Waste connection diameter [mm]	Water volume [l]	Net weight [kg]
	a ₁	a ₃	a ₆	a ₇	b ₁	b ₃	b ₆	b ₁₁	f ₂	h ₂	h ₄	h ₆	r ₁				
1702	1700	-	1540	1080	750	-	590	470	850	-	-	-	5	3/4"	40/50	122	100
1703	1800	-	1640	1180	800	-	640	520	900	-	-	-	5	3/4"	40/50	159	109

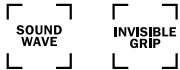
	Model	Order No.	Dimensions (mm)	Alpine White (I)	Sanitary Colours (II, III)	Coord. Colours (IV)	EUR
MEISTERSTÜCK CONODUO 1 LEFT CORNER INSTALLATION (2-SIDED) pre-assembled in factory with special waste and overflow fitting KA 4080 with enamelled waste and overflow	1702-4080	2014 4080 x001	1700 x 750 x 420	5,663.00			
	1703-4080	2015 4080 x001	1800 x 800 x 420	6,124.00			
MEISTERSTÜCK CONODUO 1 LEFT CORNER INSTALLATION (2-SIDED) pre-assembled in factory with special waste and overflow set KA 4081 with integrated filling function with enamelled waste and overflow The KA 4081 fitting requires a non-return valve. These are not included.	1702-4081	2014 4081 x001	1700 x 750 x 420	6,014.00			
	1703-4081	2015 4081 x001	1800 x 800 x 420	6,475.00			

OPTIONAL: SURFACE FINISHES	Model	Order No.	Price	Alpine White (I)	Sanitary Colours (II, III)	Coord. Colours (IV)
INVISIBLE GRIP Almost invisible slip resistance on the standing surface. Cannot be combined with easy-clean finish.		xxxxxxx1xxx	167.50			
Easy-clean finish		xxxxxxx3xxx	94.00			
Full anti-slip			370.00			
Partial anti-slip			298.00			

OPTIONAL: SOUND SYSTEM •¹	Model	Order No.	Price	Alpine White (I)	Sanitary Colours (II, III)	Coord. Colours (IV)
SOUND WAVE SOUND WAVE can be used with all KALDEWEI bathtubs, except models with polystyrene support and whirl systems!	6802	5845 7613 0000	686.00			

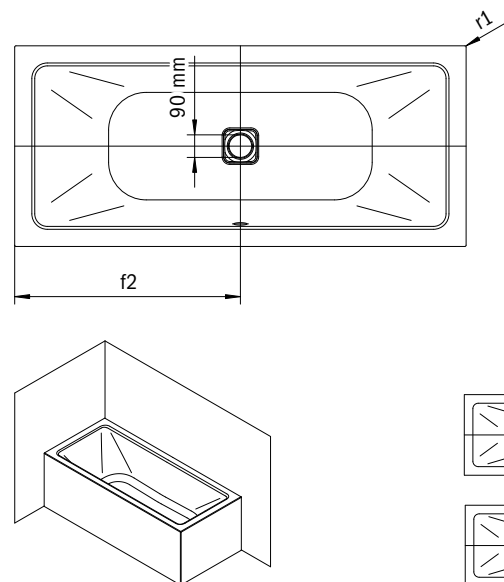
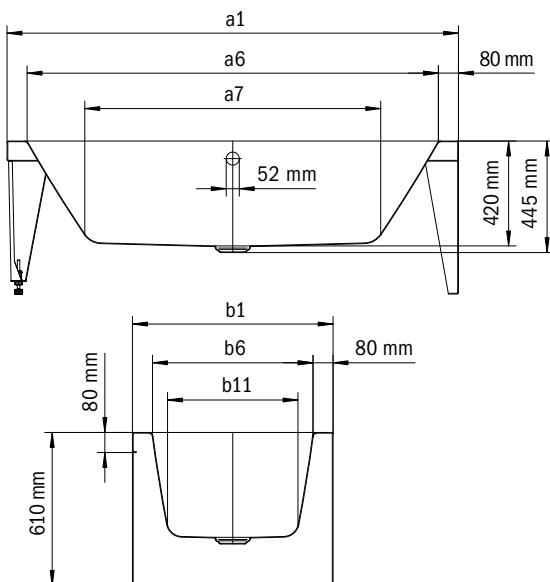
MEISTERSTÜCK CONODUO 1 RIGHT

- Bath made of high-quality steel enamel with enamelled panelling on two sides
- Specially designed for corner installation
- Available as right or left-hand model
- Straight-lined, purist design
- Enamelled waste cover and overflow knob integrated in the bath design (also available with filling function)
- Designed by Sottsass Associati



Similar illustration

MEISTERSTÜCK	ALPINE WHITE	BAHAMABEIGE	MANHATTAN	PERGAMON	BLACK	COORDINATED COLOURS	ALPINE WHITE MATT	WARM BEIGE 20	WARM BEIGE 40	WARM GREY 10	WARM GREY 30	WARM GREY 50	WARM GREY 60	WARM GREY 70	WARM GREY 80	WARM GREY 85	WARM GREY 90	COOL GREY 30	COOL GREY 40	COOL GREY 70	COOL GREY 80	COOL GREY 90	BLACK MATT 100
	001	SANITARY COLOURS																					



Model	External length [mm]	External length (bottom) [mm]	Internal length (top) [mm]	Internal length (bottom) [mm]	External width [mm]	External width (bottom) [mm]	Internal width (top) [mm]	Internal width (bottom) [mm]	Distance bath edge to centre of waste hole [mm]	Distance foot end of bath edge to centre of foot [mm]	Distance between the feet [mm]	Width of feet max. [mm]	External radius [mm]	Fill fitting connection [mm]	Waste connection diameter [mm]	Water volume [l]	Net weight [kg]
	a ₁	a ₃	a ₆	a ₇	b ₁	b ₃	b ₆	b ₁₁	f ₂	h ₂	h ₄	h ₆	r ₁				
1712	1700	-	1540	1080	750	-	590	470	850	-	-	-	5	3/4"	40/50	122	100
1713	1800	-	1640	1180	800	-	640	520	900	-	-	-	5	3/4"	40/50	159	109

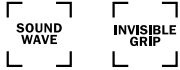
	Model	Order No.	Dimensions (mm)	Alpine White (I)	Sanitary Colours (II, III)	Coord. Colours (IV)	EUR
MEISTERSTÜCK CONODUO 1 RIGHT CORNER INSTALLATION (2-SIDED) pre-assembled in factory with special waste and overflow fitting KA 4080 with enamelled waste and overflow	1712-4080	2016 4080 x001	1700 x 750 x 420	5,663.00			
	1713-4080	2017 4080 x001	1800 x 800 x 420	6,124.00			
MEISTERSTÜCK CONODUO 1 RIGHT CORNER INSTALLATION (2-SIDED) pre-assembled in factory with special waste and overflow set KA 4081 with integrated filling function with enamelled waste and overflow The KA 4081 fitting requires a non-return valve. These are not included.	1712-4081	2016 4081 x001	1700 x 750 x 420	6,014.00			
	1713-4081	2017 4081 x001	1800 x 800 x 420	6,475.00			

OPTIONAL: SURFACE FINISHES	Model	Order No.	Price	Alpine White (I)	Sanitary Colours (II, III)	Coord. Colours (IV)
INVISIBLE GRIP Almost invisible slip resistance on the standing surface. Cannot be combined with easy-clean finish.		xxxxxxx1xxx	167.50			
Easy-clean finish		xxxxxxx3xxx	94.00			
Full anti-slip			370.00			
Partial anti-slip			298.00			

OPTIONAL: SOUND SYSTEM •¹	Model	Order No.	Price	Alpine White (I)	Sanitary Colours (II, III)	Coord. Colours (IV)
SOUND WAVE SOUND WAVE can be used with all KALDEWEI bathtubs, except models with polystyrene support and whirl systems!	6802	5845 7613 0000	686.00			

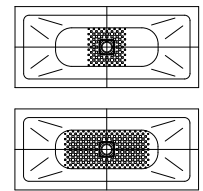
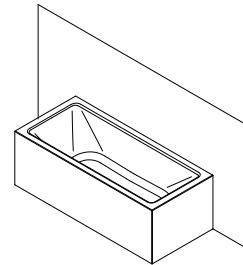
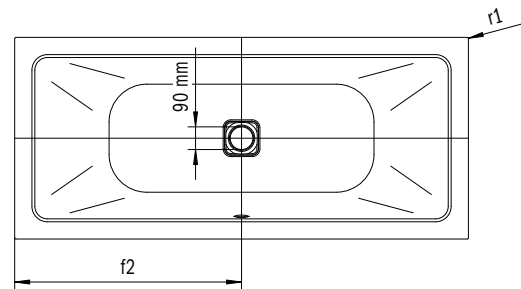
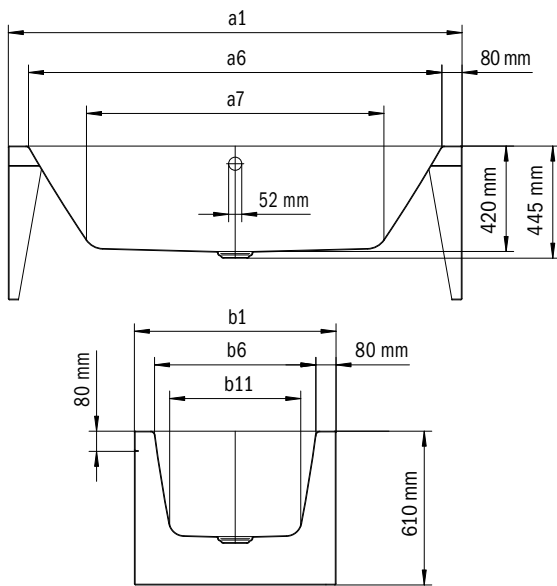
MEISTERSTÜCK CONODUO 2

- Bath made of high-quality steel enamel with enamelled panelling on three sides
- Straight-lined, purist design
- Enamelled waste cover and overflow knob integrated in the bath design (also available with filling function)
- Designed by Sottsass Associati



Similar illustration

MEISTERSTÜCK	ALPINE WHITE	BAHAMABEIGE	MANHATTAN	PERGAMON	BLACK	COORDINATED COLOURS	ALPINE WHITE MATT	WARM BEIGE 20	WARM BEIGE 40	WARM GREY 10	WARM GREY 30	WARM GREY 50	WARM GREY 60	WARM GREY 70	WARM GREY 80	WARM GREY 85	WARM GREY 90	COOL GREY 30	COOL GREY 40	COOL GREY 70	COOL GREY 80	COOL GREY 90	BLACK MATT 100
	001	SANITARY COLOURS																					



Model	External length [mm]	External length (bottom) [mm]	Internal length (top) [mm]	Internal length (bottom) [mm]	External width [mm]	External width (bottom) [mm]	Internal width (top) [mm]	Internal width (bottom) [mm]	Distance bath edge to centre of waste hole [mm]	Distance foot end of bath edge to centre of foot [mm]	Distance between the feet [mm]	Width of feet max. [mm]	External radius [mm]	Fill fitting connection [mm]	Waste connection diameter [mm]	Water volume [l]	Net weight [kg]
	a_1	a_3	a_6	a_7	b_1	b_3	b_6	b_{11}	f_2	h_2	h_4	h_6	r_1				
1722	1700	-	1540	1080	750	-	590	470	850	-	-	-	5	3/4"	40/50	122	109
1723	1800	-	1640	1180	800	-	640	520	900	-	-	-	5	3/4"	40/50	159	118

	Model	Order No.	Dimensions (mm)	EUR		
				Alpine White (I)	Sanitary Colours (II, III)	Coord. Colours (IV)
MEISTERSTÜCK CONODUO 2	1722-4080	2018 4080 x001	1700 x 750 x 420	5,980.00		
pre-assembled in factory						
with special waste and overflow fitting KA 4080	1723-4080	2019 4080 x001	1800 x 800 x 420	6,479.00		
with enamelled waste and overflow						
MEISTERSTÜCK CONODUO 2	1722-4081	2018 4081 x001	1700 x 750 x 420	6,331.00		
pre-assembled in factory						
with special waste and overflow set KA 4081	1723-4081	2019 4081 x001	1800 x 800 x 420	6,830.00		
with integrated filling function						
with enamelled waste and overflow						
The KA 4081 fitting requires a non-return valve. These are not included.						

OPTIONAL: SURFACE FINISHES	Model	Order No.	Price	EUR		
				Alpine White (I)	Sanitary Colours (II, III)	Coord. Colours (IV)
INVISIBLE GRIP		xxxxxxx1xxx	167.50			
Almost invisible slip resistance on the standing surface. Cannot be combined with easy-clean finish.						
Easy-clean finish		xxxxxxx3xxx	94.00			
Full anti-slip			370.00			
Partial anti-slip			298.00			

OPTIONAL: SOUND SYSTEM •¹	Model	Order No.	Price	EUR		
				Alpine White (I)	Sanitary Colours (II, III)	Coord. Colours (IV)
SOUND WAVE	6802	5845 7613 0000	686.00			
SOUND WAVE can be used with all KALDEWEI bathtubs, except models with polystyrene support and whirl systems!						

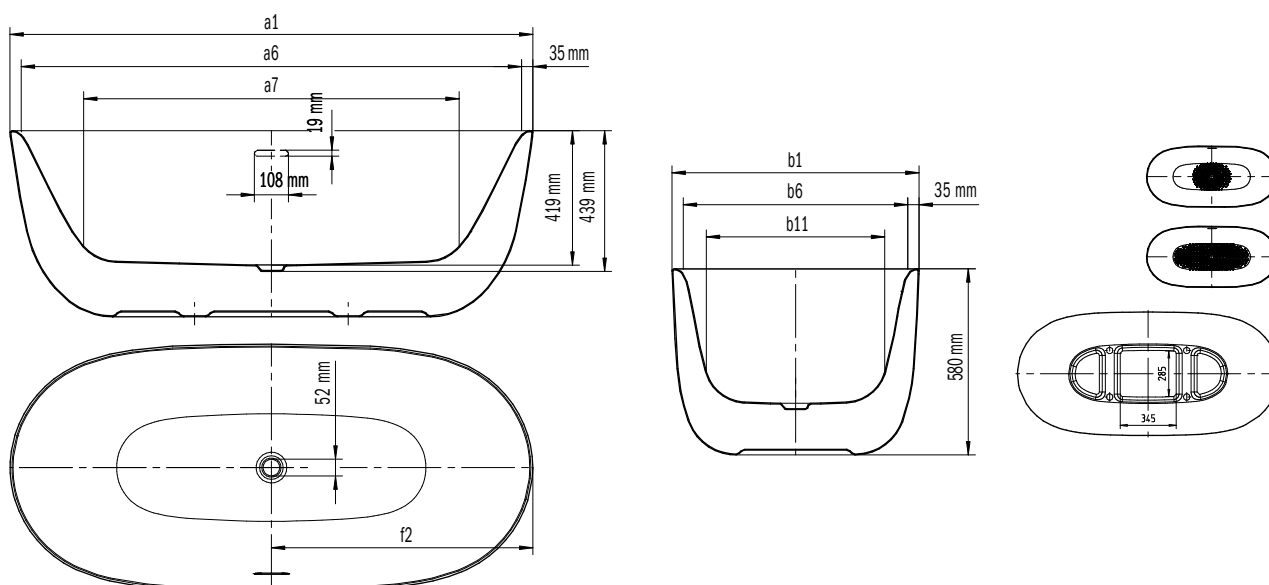
MEISTERSTÜCK OYO DUO

- An unprecedented Egg Shape design made of sustainable steel enamel by means of the highest German engineering skills
- A graceful design sculpture that integrates harmoniously into the bathroom space, flowing and almost seeming to float
- Inspired by Japanese porcelain design: the double-walled product impresses with its minimal organic lines and elegant functionality
- The inner shape offers maximum lying comfort, even for two people, with two identical backrests and a central waste
- Installation instructions: The free space under the bathtub enables installation without a screed recess, as the waste fitting can be sunk into the bathtub body



Similar illustration

	ALPINE WHITE	BAHAMABEIGE	MANHATTAN	PERGAMON	BLACK	COORDINATED COLOURS	ALPINE WHITE MATT	WARM BEIGE 20	WARM BEIGE 40	WARM GREY 10	WARM GREY 30	WARM GREY 50	WARM GREY 60	WARM GREY 70	WARM GREY 80	WARM GREY 85	WARM GREY 90	COOL GREY 30	COOL GREY 40	COOL GREY 70	COOL GREY 80	COOL GREY 90	BLACK MATT 100
MEISTERSTÜCK OYO DUO	001						711	661		668			671					663		665		667	676



Model	External length [mm]	External length (bottom) [mm]	Internal length (top) [mm]	Internal length (bottom) [mm]	External width [mm]	External width (bottom) [mm]	Internal width (top) [mm]	Internal width (bottom) [mm]	Distance bath edge to centre of waste hole [mm]	Distance foot end of bath edge to centre of foot [mm]	Distance between the feet [mm]	Width of feet max. [mm]	External radius [mm]	Fill fitting connection [mm]	Waste connection diameter [mm]	Water volume [l]	Net weight [kg]
	a ₁	a ₃	a ₆	a ₇	b ₁	b ₃	b ₆	b ₁₁	f ₂	h ₂	h ₄	h ₆	r ₁				
1050	1630	-	1560	1171	770	-	700	556	815	-	-	-	-	-	40/50	148	95
1051	1730	-	1660	1275	820	-	750	606	865	-	-	-	-	-	40/50	186	105

	Model	Order No.	Dimensions (mm)	Alpine White (I)	Sanitary Colours (II, III)	EUR Coord. Colours (IV)
MEISTERSTÜCK OYO DUO	1050-4034	2050 4353 xxxx	1630 x 770 x 419	3,910.00		4,693.00
factory assembled	1051-4034	2051 4353 xxxx	1730 x 820 x 419	4,088.00		4,905.00
with enamelled push-to-open waste and design overflow						
MEISTERSTÜCK OYO DUO	1050-4032	2050 4350 0001	1630 x 770 x 419	3,779.00		
factory assembled	1051-4032	2051 4350 0001	1730 x 820 x 419	3,955.00		
with push-to-open plastic waste and design overflow						
MEISTERSTÜCK OYO DUO	1050-4035	2050 4354 xxxx	1630 x 770 x 419	3,840.00		4,608.00
factory assembled	1051-4035	2051 4354 xxxx	1730 x 820 x 419	4,016.00		4,819.00
with push-to-open waste without overflow						
central floor drain required in the room						
MEISTERSTÜCK OYO DUO	1050-4033	2050 4351 0001	1630 x 770 x 419	3,708.00		
factory assembled	1051-4033	2051 4351 0001	1730 x 820 x 419	3,885.00		
with push-to-open plastic waste without overflow						
central floor drain required in the room						

OPTIONAL: SURFACE FINISHES	Model	Order No.	Price	Alpine White (I)	Sanitary Colours (II, III)	Coord. Colours (IV)
INVISIBLE GRIP		xxxxxxx1xxx	167.50			
Almost invisible slip resistance on the standing surface. Cannot be combined with easy-clean finish.						
Easy-clean finish		xxxxxxx3xxx	94.00			
Full anti-slip			370.00			
Partial anti-slip			298.00			

OPTIONAL: INSTALLATION •¹	Model	Order No.	Price	Alpine White (I)	Sanitary Colours (II, III)	Coord. Colours (IV)
Grip OYO DUO						
Single handle in conjunction with OYO DUO, factory-fitted						
alpine white			433.00			
black matt 100			433.00			
chrome			333.00			

OPTIONAL: SOUND SYSTEM •¹	Model	Order No.	Price	Alpine White (I)	Sanitary Colours (II, III)	Coord. Colours (IV)
SOUND WAVE	6802	5845 7613 0000	686.00			
SOUND WAVE can be used with all KALDEWEI bathtubs, except models with polystyrene support and whirl systems!						

CLASSIC DUO OVAL FREESTANDING

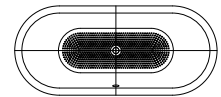
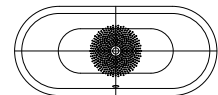
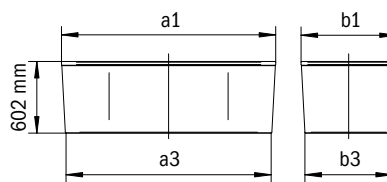
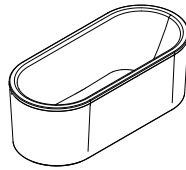
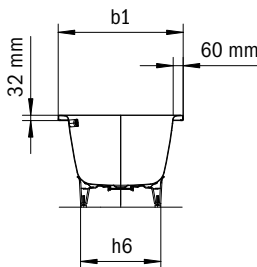
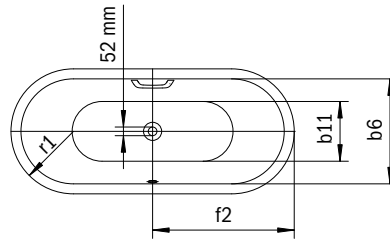
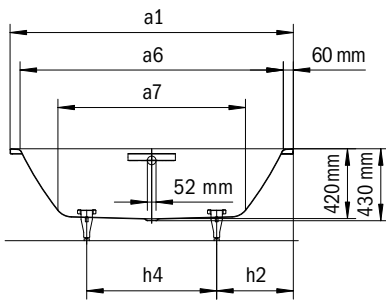
- Pure simplicity and unpretentious elegance are what distinguish these baths
- Bathing with a friend: two identical back rests and centrally positioned waste
- The moulded panel emphasises the high design standard and enables the bath to be free-standing



GRIP DISCREET OPULENCE

Similar illustration

	ALPINE WHITE	BAHAMABEIGE	MANHATTAN	PERGAMON	BLACK	ALPINE WHITE MATT	WARM BEIGE 20	WARM BEIGE 40	WARM GREY 10	WARM GREY 30	WARM GREY 50	WARM GREY 60	WARM GREY 70	WARM GREY 80	WARM GREY 85	WARM GREY 90	COOL GREY 30	COOL GREY 40	COOL GREY 70	COOL GREY 80	COOL GREY 90	BLACK MATT 100
CLASSIC DUO OVAL	001	030	199	231	701	711	661															676
BATHTUBS PANNELLING	001				701	711																676



Model	External length [mm]	External length (bottom) [mm]	Internal length (top) [mm]	Internal length (bottom) [mm]	External width [mm]	External width (bottom) [mm]	Internal width (top) [mm]	Internal width (bottom) [mm]	Distance bath edge to centre of waste hole [mm]	Distance foot end of bath edge to centre of foot [mm]	Distance between the feet [mm]	Width of feet max. [mm]	External radius [mm]	Fill fitting connection [mm]	Waste connection diameter [mm]	Water volume [l]	Net weight [kg]
	a ₁	a ₃	a ₆	a ₇	b ₁	b ₃	b ₆	b ₁₁	f ₂	h ₂	h ₄	h ₆	r ₁				
113	1700	1635	1580	1130	750	685	630	500	850	560	580	450	375	-	-	124	78
111	1800	1735	1680	1230	800	735	680	550	900	600	600	540	400	-	-	158	88

	Model	Order No.	Dimensions (mm)	EUR		
				Alpine White (I)	Sanitary Colours (II, III)	Coord. Colours (IV)
CLASSIC DUO OVAL FREESTANDING (Special PU coated panel)	113-7	2914xxxxxxx	1700 x 750 x 420	2,985.00	3,881.00	3,881.00
	111-7	2912xxxxxxx	1800 x 800 x 420	3,176.00	4,130.00	4,130.00
for Model 113-7 including flexible waste hose and ALLROUND feet Model 5030						
for Model 111-7 including flexible waste hose and special feet Model 5032						
Bathtub and panel in the same colour Bathtub colour can be selected from the available colours						
Available panel colours see below. In the case of a two-tone version, the price of the higher CPG applies						

Model with grip holes on one side available		without extra charge	without extra charge	without extra charge
Version with panel in black	xxxx 4913 xxxx	see CPG	see CPG	see CPG
Version with panel in alpine white matt	xxxx 4641 xxxx	see CPG	see CPG	see CPG
Version with panel in alpine white	xxxx 4923 xxxx	see CPG	see CPG	see CPG
Version with panel in black matt 100	xxxx 4642 xxxx	see CPG	see CPG	see CPG

OPTIONAL: SURFACE FINISHES	Model	Order No.	Price	Alpine White (I)	Sanitary Colours (II, III)	Coord. Colours (IV)
INVISIBLE GRIP Almost invisible slip resistance on the standing surface. Cannot be combined with easy-clean finish.		xxxxxxxx1xxx		167.50		
Easy-clean finish		xxxxxxxx3xxx		94.00	94.00	
Full anti-slip				370.00	370.00	
Partial anti-slip				298.00	298.00	

OPTIONAL: INFLOW/OUTFLOW TECHNOLOGY ^{•1}	Model	Order No.	Price	Alpine White (I)	Sanitary Colours (II, III)	Coord. Colours (IV)
COMFORT LEVEL extended	KA 4002					
alpine white		687772490001		228.00		
alpine white matt		687772340711				251.00
black matt 100		687772340676				251.00
chrome		687772340999	228.00			
COMFORT LEVEL PLUS extended with integrated filling function	KA 4012					
alpine white		687772510001		537.00		
alpine white matt		687772380711				591.00
black matt 100		687772380676				591.00
chrome		687772380999	537.00			

OPTIONAL: INSTALLATION ^{•1}	Model	Order No.	Price	Alpine White (I)	Sanitary Colours (II, III)	Coord. Colours (IV)
Grip Discreet Opulence Type A (1 grip), chrome		590670000999	227.00			
Bath Sound absorbing set		687675730000	47.00			

OPTIONAL: SOUND SYSTEM ^{•1}	Model	Order No.	Price	Alpine White (I)	Sanitary Colours (II, III)	Coord. Colours (IV)
SOUND WAVE SOUND WAVE can be used with all KALDEWEI bathtubs, except models with polystyrene support and whirl systems!	6802	584576130000	686.00			

CONODUO FREESTANDING

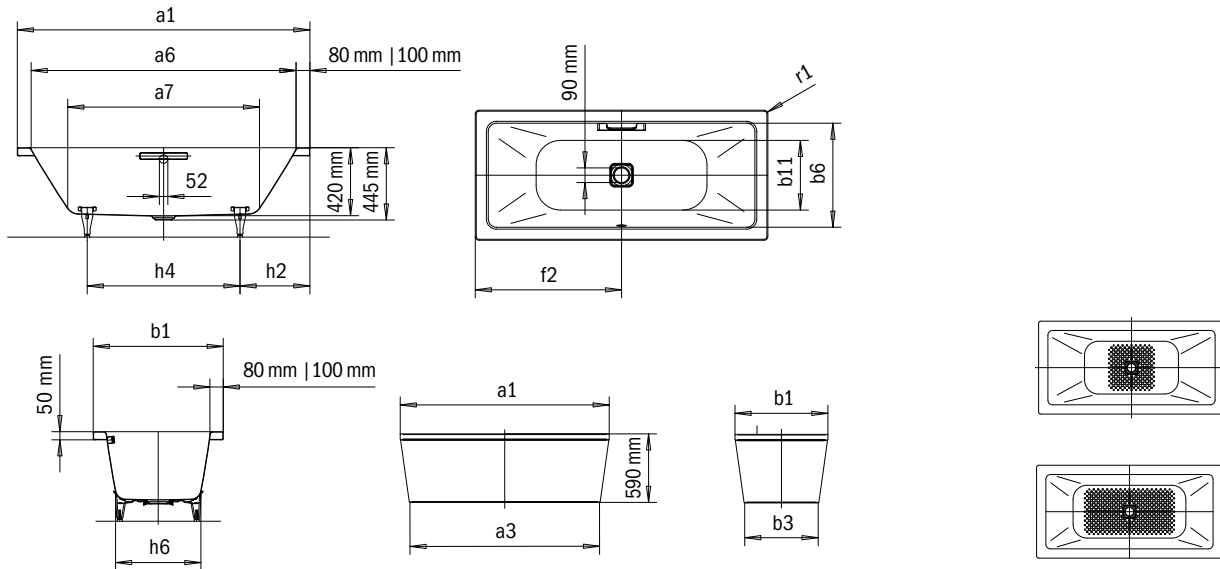
- Straight-lined, purist design
- Enamelled waste cover and overflow knob integrated in the bath design (also available with filling function)
- Classic four-cornered model
- The moulded panel emphasises the high design standard and enables the bath to be free-standing
- Bathing with a friend: two identical back rests and centrally positioned waste
- Designed by Sottsass Associati



GRIP ELEGANT PURISM

Similar illustration

	ALPINE WHITE	BAHAMABEIGE	MANHATTAN	PERGAMON	BLACK	ALPINE WHITE MATT	WARM BEIGE 20	WARM BEIGE 40	WARM GREY 10	WARM GREY 30	WARM GREY 50	WARM GREY 60	WARM GREY 70	WARM GREY 80	WARM GREY 85	WARM GREY 90	COOL GREY 30	COOL GREY 40	COOL GREY 70	COOL GREY 80	COOL GREY 90	BLACK MATT 100
CONODUO	001	030	199	231	701	711	661		668			671					663		665		667	676
BATHTUBS PANNELLING	001				701	711																676



Model	External length [mm]	External length (bottom) [mm]	Internal length (top) [mm]	Internal length (bottom) [mm]	External width [mm]	External width (bottom) [mm]	Internal width (top) [mm]	Internal width (bottom) [mm]	Distance bath edge to centre of waste hole [mm]	Distance foot end of bath edge to centre of foot [mm]	Distance between the feet [mm]	Width of feet max. [mm]	External radius [mm]	Fill fitting connection [mm]	Waste connection diameter [mm]	Water volume [l]	Net weight [kg]
	a ₁	a ₃	a ₆	a ₇	b ₁	b ₃	b ₆	b ₁₁	f ₂	h ₂	h ₄	h ₆	r ₁				
734	1900	1733	1740	1280	900	733	740	620	950	570	760	610	23	-	-	220	100
735	2000	1833	1800	1340	1000	833	800	680	1000	620	760	675	23	-	-	260	112

	Model	Order No.	Dimensions (mm)	Alpine White (I)	Sanitary Colours (II, III)	EUR Coord. Colours (IV)
CONODUO FREESTANDING (Special PU coated panel)	734-7	2352xxxxxxx	1900 x 900 x 420	3,748.00	4,873.00	4,873.00
	735-7		2000 x 1000 x 420	4,065.00	5,285.00	5,285.00
Special waste and overflow set for CONODUO including flexible waste hose and special feet Mod. 5037						
Bathtub and panel in the same colour Bathtub colour can be selected from the available colours						
Available panel colours see below. In the case of a two-tone version, the price of the higher CPG applies						

Model with grip holes on one side available			without extra charge	without extra charge	without extra charge
Version with panel in black		xxxx 4913 xxxx	see CPG	see CPG	see CPG
Version with panel in alpine white matt		xxxx 4641 xxxx	see CPG	see CPG	see CPG
Version with panel in alpine white		xxxx 4923 xxxx	see CPG	see CPG	see CPG
Version with panel in black matt 100		xxxx 4642 xxxx	see CPG	see CPG	see CPG

OPTIONAL: SURFACE FINISHES	Model	Order No.	Price	Alpine White (I)	Sanitary Colours (II, III)	Coord. Colours (IV)
INVISIBLE GRIP Almost invisible slip resistance on the standing surface. Cannot be combined with easy-clean finish.		xxxxxxx1xxx		167.50		
Easy-clean finish		xxxxxxx3xxx		94.00	94.00	
Full anti-slip				370.00	370.00	
Partial anti-slip				298.00	298.00	

REQUIRED: INFLOW/OUTFLOW TECHNOLOGY^{•1}	Model	Order No.	Price	Alpine White (I)	Sanitary Colours (II, III)	Coord. Colours (IV)
Special waste and overflow fitting with enamelled waste cover and enamelled overflow knob	KA 4080					
enamelled		6877 7200 xxxx		259.00	336.00	336.00
enamelled INVISIBLE GRIP		6877 7200 1001		259.00		
Special waste and overflow fitting with integrated filling function, enamelled waste cover and overflow knob	KA 4081					
enamelled		6877 7202 xxxx		558.00	726.00	726.00
enamelled INVISIBLE GRIP		6877 7202 1001		558.00		

OPTIONAL: INSTALLATION^{•1}	Model	Order No.	Price	Alpine White (I)	Sanitary Colours (II, III)	Coord. Colours (IV)
Grip ELEGANT PURISM Type A (1 grip), chrome		5904 7000 0999	283.00			
Bath Sound absorbing set		6876 7573 0000	47.00			

OPTIONAL: SOUND SYSTEM^{•1}	Model	Order No.	Price	Alpine White (I)	Sanitary Colours (II, III)	Coord. Colours (IV)
SOUND WAVE SOUND WAVE can be used with all KALDEWEI bathtubs, except models with polystyrene support and whirl systems!	6802	5845 7613 0000	686.00			

ELLIPSO DUO OVAL FREESTANDING

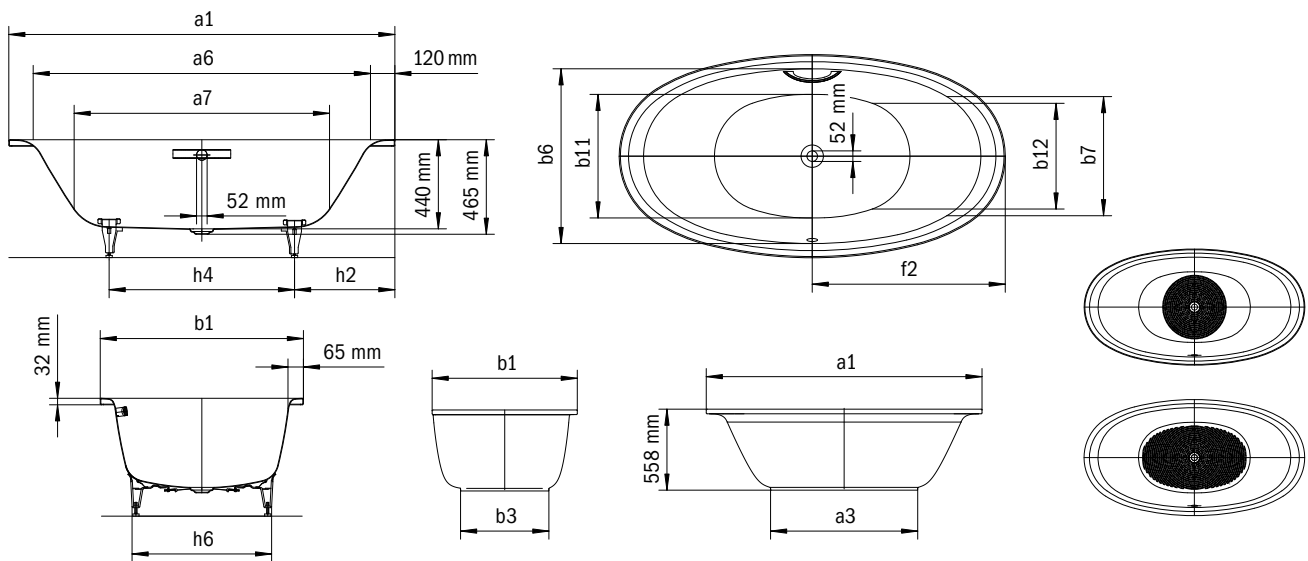
- Gently shaped shoulder rest for more pleasure and comfort
- Elliptical exterior form reflects the interior form
- Enamelled waste cover and overflow knob integrated in the bath design (also available with filling function)
- The moulded panel emphasises the high design standard and enables the bath to be free-standing
- Bathing with a friend: two identical back rests and centrally positioned waste



GRIP DISCREET OPULENCE

Similar illustration

	ALPINE WHITE	BAHAMABEIGE	MANHATTAN	PERGAMON	BLACK	COORDINATED COLOURS	ALPINE WHITE MATT	WARM BEIGE 20	WARM BEIGE 40	WARM GREY 10	WARM GREY 30	WARM GREY 50	WARM GREY 60	WARM GREY 70	WARM GREY 80	WARM GREY 85	WARM GREY 90	COOL GREY 30	COOL GREY 40	COOL GREY 70	COOL GREY 80	COOL GREY 90	BLACK MATT 100	
ELLIPSO DUO OVAL	001	030	199	231	701		711	661		668			671						663		665		667	676
BATHTUBS PANNELLING	001				701		711																	676



Model	External length [mm]	External length (bottom) [mm]	Internal length (top) [mm]	Internal length (bottom) [mm]	External width [mm]	External width (bottom) [mm]	Internal width (top) [mm]	Internal width (bottom) [mm]	Distance bath edge to centre of waste hole [mm]	Distance foot end of bath edge to centre of foot [mm]	Distance between the feet [mm]	Width of feet max. [mm]	External radius [mm]	Fill fitting connection [mm]	Waste connection diameter [mm]	Water volume [l]	Net weight [kg]
	a ₁	a ₃	a ₆	a ₇	b ₁	b ₃	b ₆	b ₁₁	f ₂	h ₂	h ₄	h ₆	r ₁				
232	1900	1013	1660	1260	1000	608	860	-	950	585	730	620	-	-	-	214	76

	Model	Order No.	Dimensions (mm)	Alpine White (I)	Sanitary Colours (II, III)	Coord. Colours (IV)	EUR
ELLIPSO DUO OVAL FREESTANDING (Special PU coated panel) including flexible waste hose and special feet	232-7	2862xxxxxxx	1900 x 1000 x 440	3,748.00	4,871.00	4,871.00	

Bathtub and panel in the same colour

Bathtub colour can be selected from the available colours

Available panel colours see below.

In the case of a two-tone version, the price of the higher CPG applies

Model with grip holes on one side available		without extra charge	without extra charge	without extra charge
Version with panel in black	xxxx 4913 xxxx	see CPG	see CPG	see CPG
Version with panel in alpine white matt	xxxx 4641 xxxx	see CPG	see CPG	see CPG
Version with panel in alpine white	xxxx 4923 xxxx	see CPG	see CPG	see CPG
Version with panel in black matt 100	xxxx 4642 xxxx	see CPG	see CPG	see CPG

OPTIONAL: SURFACE FINISHES	Model	Order No.	Price	Alpine White (I)	Sanitary Colours (II, III)	Coord. Colours (IV)
INVISIBLE GRIP Almost invisible slip resistance on the standing surface. Cannot be combined with easy-clean finish.		xxxxxxxx1xxx		167.50		
Easy-clean finish		xxxxxxxx3xxx		94.00	94.00	
Full anti-slip				370.00	370.00	
Partial anti-slip				298.00	298.00	

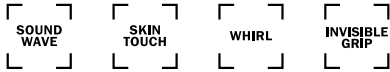
REQUIRED: INFLOW/OUTFLOW TECHNOLOGY^{•1}

	Model	Order No.	Price	Alpine White (I)	Sanitary Colours (II, III)	Coord. Colours (IV)
Special waste and overflow fitting with enamelled waste cover and enamelled overflow knob	KA 4040					
enamelled		6877 7208 xxxx		259.00	336.00	336.00
enamelled INVISIBLE GRIP		6877 7208 1001		259.00		
Special waste and overflow fitting with integrated filling function, enamelled waste cover and overflow knob	KA 4041					
enamelled		6877 7210 xxxx		558.00	726.00	726.00
enamelled INVISIBLE GRIP		6877 7210 1001		558.00		

OPTIONAL: INSTALLATION ^{•1}	Model	Order No.	Price	Alpine White (I)	Sanitary Colours (II, III)	Coord. Colours (IV)
Grip Discreet Opulence Type C (1 grip), chrome		5902 7000 0999	283.00			
Bath Sound absorbing set		6876 7573 0000	47.00			

ASYMMETRIC DUO

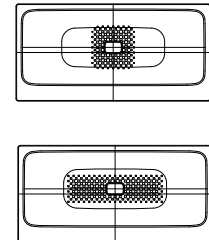
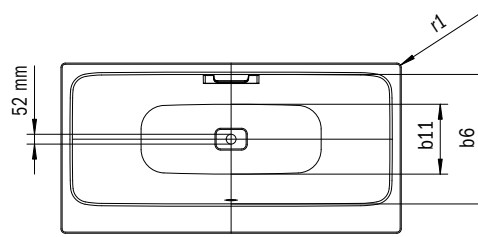
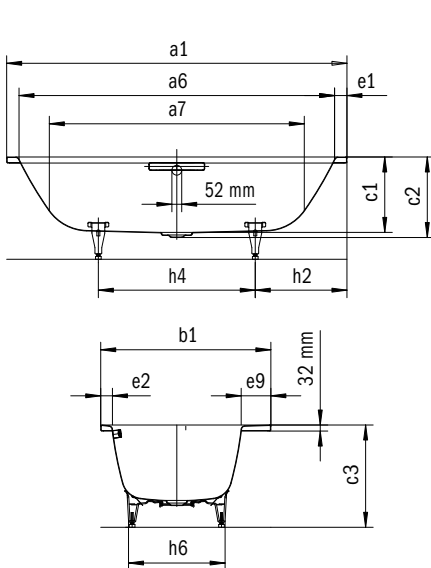
- Exciting contrast between the clear lines of the bath rim and the flowing, ergonomic design language of the interior
- Generously sized storage area that can also be used as a sit or to accommodate bath rim tap fittings
- Enamelled waste cover and overflow knob integrated in the bath design (also available with filling function)
- Bathing with a friend: two identical back rests and centrally positioned waste



GRIP ELEGANT PURISM

Similar illustration

	ALPINE WHITE	SANITARY COLOURS				COORDINATED COLOURS																	
	001	BAHAMABEIGE 030	MANHATTAN 199	PERGAMON 231	BLACK 701	ALPINE WHITE MATT 711	WARM BEIGE 20 661	WARM BEIGE 40 668	WARM GREY 10	WARM GREY 30	WARM GREY 50	WARM GREY 60 671	WARM GREY 70	WARM GREY 80	WARM GREY 85	WARM GREY 90	COOL GREY 30 663	COOL GREY 40	COOL GREY 70 665	COOL GREY 80	COOL GREY 90 667	BLACK MATT 100 676	
ASYMMETRIC DUO																							



Model	External length [mm]	Internal length (top) [mm]	Internal length (bottom) [mm]	External width [mm]	Internal width (top) [mm]	Internal width (bottom) [mm]	Depth inside [mm]	Depth incl. waste hole [mm]	Height with feet [mm]	Width of rim (foot end; long side) [mm]	Distance bath edge to centre of waste hole [mm]	Distance foot end of bath edge to centre of foot [mm]	Distance between the feet [mm]	Width of feet max. [mm]	External radius [mm]	Water volume [l]	Net weight [kg]
	a ₁	a ₆	a ₇	b ₁	b ₆	b ₁₁	c ₁	c ₂	c ₃	e ₁ ; e ₂	f ₂	h ₂	h ₄	h ₆	r ₁		
740	1700	1570	1246	800	616	500	400	425	540 - 560	65; 62	850	550	600	445	23	123	49
742	1800	1670	1348	900	681	600	400	425	540 - 560	65; 62	900	580	640	525	23	163	52
744	1900	1770	1484	1000	751	646	400	425	540 - 560	65; 62	950	585	730	585	23	208	64

	Model	Order No.	Dimensions (mm)	Alpine White (I)	Sanitary Colours (II, III)	Coord. Colours (IV)	EUR
ASYMMETRIC DUO	740	2740 0001 xxxx	1700 x 800 x 400	1,305.00	1,696.00	1,696.00	
	742	2742 0001 xxxx	1800 x 900 x 400	1,646.00	2,137.00	2,137.00	
	744	2744 0001 xxxx	1900 x 1000 x 400	2,279.00	2,961.00	2,961.00	
Design with opposite overflow available		xxxx 2300 xxxx		without extra charge	without extra charge	without extra charge	
Model with grip holes on one side available		xxxx 1011 xxxx		without extra charge	without extra charge	without extra charge	

OPTIONAL: SURFACE FINISHES	Model	Order No.	Price	Alpine White (I)	Sanitary Colours (II, III)	Coord. Colours (IV)
INVISIBLE GRIP Almost invisible slip resistance on the standing surface. Cannot be combined with easy-clean finish		xxxxxxxx 1 xxx		167.50		
Easy-clean finish		xxxxxxxx 3 xxx		94.00	94.00	
Full anti-slip				191.00	191.00	
Partial anti-slip				101.00	101.00	

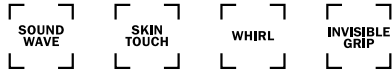
REQUIRED: INFLOW/OUTFLOW TECHNOLOGY^{•1}	Model	Order No.	Price	Alpine White (I)	Sanitary Colours (II, III)	Coord. Colours (IV)
Special waste and overflow fitting with enamelled waste cover and enamelled overflow knob	KA 4060					
enamelled		6877 7204 xxxx		259.00	336.00	336.00
enamelled INVISIBLE GRIP		6877 7204 1001		259.00		
Special waste and overflow fitting with integrated filling function, enamelled waste cover and overflow knob	KA 4061					
enamelled		6877 7206 xxxx		558.00	726.00	726.00
enamelled INVISIBLE GRIP		6877 7206 1001		558.00		

OPTIONAL: INSTALLATION^{•1}	Model	Order No.	Price	Alpine White (I)	Sanitary Colours (II, III)	Coord. Colours (IV)
Bathtub installation set includes everything for professional installation including bath pedestal 5037	BIS 5044	6876 7652 0000	180.00			
Special pedestal Mod.5037		5831 7000 0000	67.00			
Wall anchor		6876 7513 0000	25.50			
Grip ELEGANT PURISM Type A (1 grip), chrome		5904 7000 0999	283.00			
Sealing kit FLEX		6897 2052 0000	51.50			
Bath Sound absorbing set		6876 7573 0000	47.00			
Installation tape WES 130 For sound insulation and separation between the bottom edge of the product and the brickwork		6876 7654 0000	15.50			

OPTIONAL: SOUND SYSTEM^{•1}	Model	Order No.	Price	Alpine White (I)	Sanitary Colours (II, III)	Coord. Colours (IV)
SOUND WAVE SOUND WAVE can be used with all KALDEWEI bathtubs, except models with polystyrene support and whirl systems!	6802	5845 7613 0000	686.00			

CENTRO DUO

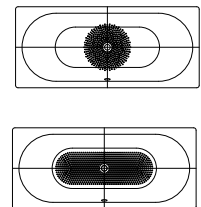
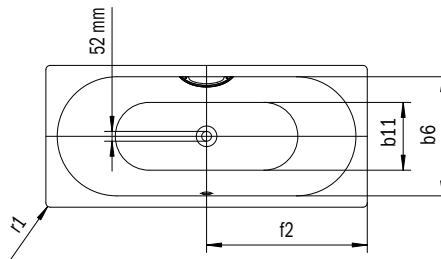
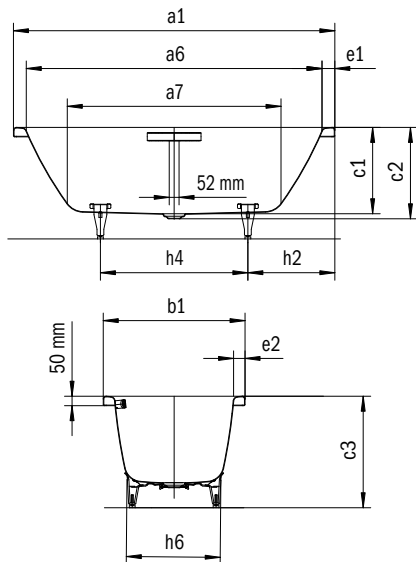
- Pure simplicity and unpretentious elegance are what distinguish these baths
- Enamelled waste cover and overflow knob integrated in the bath design (also available with filling function)
- Classic four-cornered model
- Bathing with a friend: two identical back rests and centrally positioned waste



GRIP DISCREET OPULENCE

Similar illustration

CENTRO DUO	ALPINE WHITE	SANITARY COLOURS				COORDINATED COLOURS															
	001	BAHAMABEIGE 030	MANHATTAN 199	PERGAMON 231	BLACK 701	ALPINE WHITE MATT 711	WARM BEIGE 20 661	WARM BEIGE 40 668	WARM GREY 10 668	WARM GREY 30	WARM GREY 50	WARM GREY 60 671	WARM GREY 70	WARM GREY 80	WARM GREY 85	WARM GREY 90	COOL GREY 30 663	COOL GREY 40	COOL GREY 70 665	COOL GREY 80	COOL GREY 90 667



Model	External length [mm]	Internal length (top) [mm]	Internal length (bottom) [mm]	External width [mm]	Internal width (top) [mm]	Internal width (bottom) [mm]	Depth inside [mm]	Depth incl. waste hole [mm]	Height with feet [mm]	Width of rim (foot end; long side) [mm]	Distance bath edge to centre of waste hole [mm]	Distance foot end of bath edge to centre of foot [mm]	Distance between the feet [mm]	Width of feet max. [mm]	External radius [mm]	Water volume [l]	Net weight [kg]
	a_1	a_6	a_7	b_1	b_6	b_{11}	c_1	c_2	c_3	$e_1; e_2$	f_2	h_2	h_4	h_6	r_1		
132	1700	1580	1130	750	630	510	460	485	605 - 640	60; 60	850	560	580	465	23	156	52
133	1800	1680	1230	800	680	560	460	485	595 - 630	60; 60	900	600	600	540	23	195	58

	Model	Order No.	Dimensions (mm)	EUR		
				Alpine White (I)	Sanitary Colours (II, III)	Coord. Colours (IV)
CENTRO DUO	132	2832 0001 xxxx	1700 x 750 x 460	1,727.00	2,243.00	2,243.00
for model 132 base frame Allround Mod. 5030, for model 133 special base frame 5032	133	2833 0001 xxxx	1800 x 800 x 460	2,159.00	2,805.00	2,805.00
Model with grip holes on one side available		xxxx 1011 xxxx		without extra charge	without extra charge	without extra charge

OPTIONAL: SURFACE FINISHES	Model	Order No.	Price	Alpine White (I)	Sanitary Colours (II, III)	Coord. Colours (IV)
INVISIBLE GRIP Almost invisible slip resistance on the standing surface. Cannot be combined with easy-clean finish		xxxxxxx1xxx		167.50		
Easy-clean finish		xxxxxxx3xxx		94.00	94.00	
Full anti-slip				191.00	191.00	
Partial anti-slip				101.00	101.00	

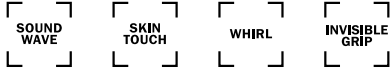
REQUIRED: INFLOW/OUTFLOW TECHNOLOGY^{•1}	Model	Order No.	Price	Alpine White (I)	Sanitary Colours (II, III)	Coord. Colours (IV)
Special waste and overflow fitting with enamelled waste cover and enamelled overflow knob	KA 4040					
enamelled		6877 7208 xxxx		259.00	336.00	336.00
enamelled INVISIBLE GRIP		6877 7208 1001		259.00		
Special waste and overflow fitting with integrated filling function, enamelled waste cover and overflow knob	KA 4041					
enamelled		6877 7210 xxxx		558.00	726.00	726.00
enamelled INVISIBLE GRIP		6877 7210 1001		558.00		

OPTIONAL: INSTALLATION^{•1}	Model	Order No.	Price	Alpine White (I)	Sanitary Colours (II, III)	Coord. Colours (IV)
Bathtub installation set includes everything for professional installation including bath pedestal 5030/5032	BIS 5043	6876 7651 0000	162.00			
Pedestal ALLROUND 5030		5814 7000 0000	47.00			
Special pedestal Mod.5032		5816 7000 0000	67.00			
Wall anchor		6876 7513 0000	25.50			
Grip Discreet Opulence Type A (1 grip), chrome		5900 7000 0999	283.00			
Sealing kit FLEX		6897 2052 0000	51.50			
Bath Sound absorbing set		6876 7573 0000	47.00			
Installation tape WES 130 For sound insulation and separation between the bottom edge of the product and the brickwork		6876 7654 0000	15.50			

OPTIONAL: SOUND SYSTEM^{•1}	Model	Order No.	Price	Alpine White (I)	Sanitary Colours (II, III)	Coord. Colours (IV)
SOUND WAVE SOUND WAVE can be used with all KALDEWEI bathtubs, except models with polystyrene support and whirl systems!	6802	5845 7613 0000	686.00			

CENTRO DUO 1 LEFT

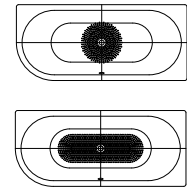
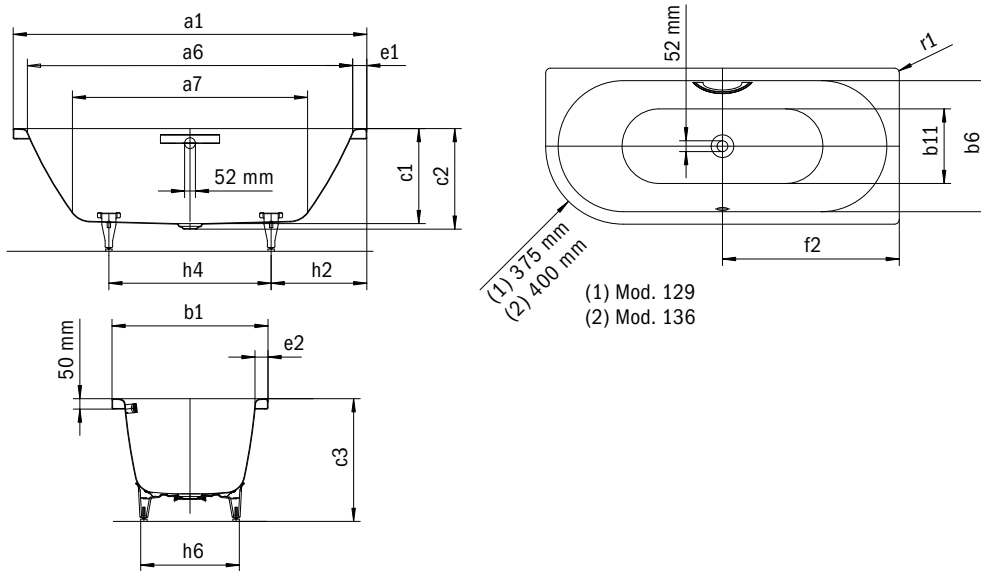
- Pure simplicity and unpretentious elegance are what distinguish these baths
- Enamelled waste cover and overflow knob integrated in the bath design (also available with filling function)
- Bathing with a friend: two identical back rests and centrally positioned waste



GRIP DISCREET OPULENCE

Similar illustration

	ALPINE WHITE 001	SANITARY COLOURS	BAHAMABEIGE 030	MANHATTAN 199	PERGAMON 231	BLACK 701	COORDINATED COLOURS	ALPINE WHITE MATT 711	WARM BEIGE 20 661	WARM BEIGE 40 668	WARM GREY 10 668	WARM GREY 30 668	WARM GREY 50 668	WARM GREY 60 671	WARM GREY 70 671	WARM GREY 80 671	WARM GREY 85 671	WARM GREY 90 671	COOL GREY 30 663	COOL GREY 40 663	COOL GREY 70 665	COOL GREY 80 665	COOL GREY 90 667	BLACK MATT 100 676
CENTRO DUO 1																								



Model	External length [mm]	Internal length (top) [mm]	Internal length (bottom) [mm]	External width [mm]	Internal width (top) [mm]	Internal width (bottom) [mm]	Depth inside [mm]	Depth incl. waste hole [mm]	Height with feet [mm]	Width of rim (foot end; long side) [mm]	Distance bath edge to centre of waste hole [mm]	Distance foot end of bath edge to centre of foot [mm]	Distance between the feet [mm]	Width of feet max. [mm]	External radius [mm]	Water volume [l]	Net weight [kg]
	a ₁	a ₆	a ₇	b ₁	b ₆	b ₁₁	c ₁	c ₂	c ₃	e ₁ ; e ₂	f ₂	h ₂	h ₄	h ₆	r ₁		
129	1700	1580	1130	750	630	510	460	485	605 - 640	60; 60	850	560	580	465	23	156	53
136	1800	1680	1230	800	680	560	460	485	595 - 630	60; 60	900	600	600	540	23	195	56

	Model	Order No.	Dimensions (mm)	EUR		
				Alpine White (I)	Sanitary Colours (II, III)	Coord. Colours (IV)
CENTRO DUO 1 LEFT	129	2829 0001 xxxx	1700 x 750 x 460	2,528.00	3,285.00	3,285.00
for model 129 base frame Allround Mod. 5030, for model 136 special base frame 5032	136	2836 0001 xxxx	1800 x 800 x 460	3,140.00	4,081.00	4,081.00
Model with grip holes on one side available		xxxx 1011 xxxx		without extra charge	without extra charge	without extra charge

OPTIONAL: SURFACE FINISHES	Model	Order No.	Price	Alpine White (I)	Sanitary Colours (II, III)	Coord. Colours (IV)
INVISIBLE GRIP		xxxxxxxx1xxx		167.50		
Almost invisible slip resistance on the standing surface. Cannot be combined with easy-clean finish						
Easy-clean finish		xxxxxxxx3xxx		94.00	94.00	
Full anti-slip				191.00	191.00	
Partial anti-slip				101.00	101.00	

REQUIRED: INFLOW/OUTFLOW TECHNOLOGY^{•1}	Model	Order No.	Price	Alpine White (I)	Sanitary Colours (II, III)	Coord. Colours (IV)
Special waste and overflow fitting	KA 4040					
with enamelled waste cover and enamelled overflow knob						
enamelled		6877 7208 xxxx		259.00	336.00	336.00
enamelled INVISIBLE GRIP		6877 7208 1001		259.00		
Special waste and overflow fitting	KA 4041					
with integrated filling function, enamelled waste cover and overflow knob						
enamelled		6877 7210 xxxx		558.00	726.00	726.00
enamelled INVISIBLE GRIP		6877 7210 1001		558.00		

OPTIONAL: INSTALLATION^{•1}	Model	Order No.	Price	Alpine White (I)	Sanitary Colours (II, III)	Coord. Colours (IV)
Bathtub installation set	BIS 5043	6876 7651 0000	162.00			
includes everything for professional installation including bath pedestal 5030/5032						
Pedestal ALLROUND 5030		5814 7000 0000	47.00			
Special pedestal Mod.5032		5816 7000 0000	67.00			
Wall anchor		6876 7513 0000	25.50			
Grip Discreet Opulence		5900 7000 0999	283.00			
Type A (1 grip), chrome						
Sealing kit FLEX		6897 2052 0000	51.50			
Bath Sound absorbing set		6876 7573 0000	47.00			
Installation tape WES 130		6876 7654 0000	15.50			
For sound insulation and separation between the bottom edge of the product and the brickwork						

OPTIONAL: SOUND SYSTEM^{•1}	Model	Order No.	Price	Alpine White (I)	Sanitary Colours (II, III)	Coord. Colours (IV)
SOUND WAVE	6802	5845 7613 0000	686.00			
SOUND WAVE can be used with all KALDEWEI bathtubs, except models with polystyrene support and whirl systems!						

CENTRO DUO 1 RIGHT

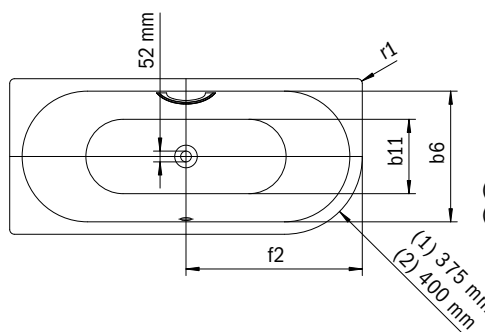
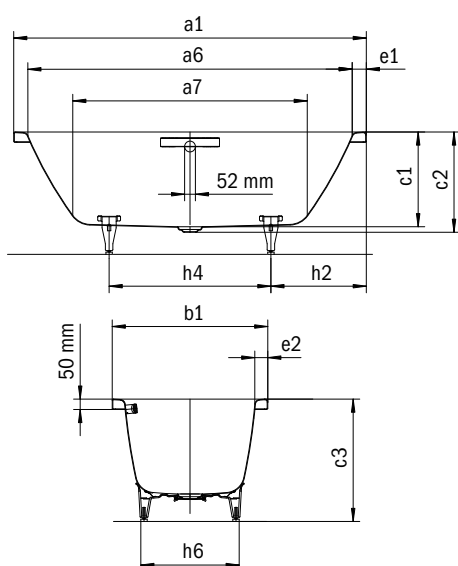
- Pure simplicity and unpretentious elegance are what distinguish these baths
- Enamelled waste cover and overflow knob integrated in the bath design (also available with filling function)
- Bathing with a friend: two identical back rests and centrally positioned waste



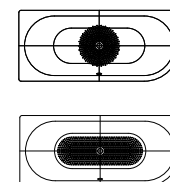
GRIP DISCREET OPULENCE

Similar illustration

CENTRO DUO 1	ALPINE WHITE	SANITARY COLOURS				COORDINATED COLOURS															
	001	BAHAMABEIGE 030	MANHATTAN 199	PERGAMON 231	BLACK 701	ALPINE WHITE MATT 711	WARM BEIGE 20 661	WARM BEIGE 40 668	WARM GREY 10 668	WARM GREY 30 668	WARM GREY 50 668	WARM GREY 60 671	WARM GREY 70 668	WARM GREY 80 668	WARM GREY 85 668	WARM GREY 90 668	COOL GREY 30 663	COOL GREY 40 663	COOL GREY 70 665	COOL GREY 80 665	COOL GREY 90 667



(1) Mod. 130
(2) Mod. 137



Model	External length [mm]	Internal length (top) [mm]	Internal length (bottom) [mm]	External width [mm]	Internal width (top) [mm]	Internal width (bottom) [mm]	Depth inside [mm]	Depth incl. waste hole [mm]	Height with feet [mm]	Width of rim (foot end; long side) [mm]	Distance bath edge to centre of waste hole [mm]	Distance foot end of bath edge to centre of foot [mm]	Distance between the feet [mm]	Width of feet max. [mm]	External radius [mm]	Water volume [l]	Net weight [kg]
	a_1	a_6	a_7	b_1	b_6	b_{11}	c_1	c_2	c_3	$e_1; e_2$	f_2	h_2	h_4	h_6	r_1		
130	1700	1580	1130	750	630	510	460	485	605 - 640	60; 60	850	560	580	465	23	156	53
137	1800	1680	1230	800	680	560	460	485	595 - 630	60; 60	900	600	600	540	23	195	56

	Model	Order No.	Dimensions (mm)	EUR		
				Alpine White (I)	Sanitary Colours (II, III)	Coord. Colours (IV)
CENTRO DUO 1 RIGHT	130	2830 0001 xxxx	1700 x 750 x 460	2,528.00	3,285.00	3,285.00
for model 130 base frame Allround Mod. 5030, for model 137 special base frame 5032	137	2837 0001 xxxx	1800 x 800 x 460	3,140.00	4,081.00	4,081.00
Model with grip holes on one side available		xxxx 1011 xxxx		without extra charge	without extra charge	without extra charge

OPTIONAL: SURFACE FINISHES	Model	Order No.	Price	Alpine White (I)	Sanitary Colours (II, III)	Coord. Colours (IV)
INVISIBLE GRIP Almost invisible slip resistance on the standing surface. Cannot be combined with easy-clean finish		xxxxxxx1xxx		167.50		
Easy-clean finish		xxxxxxx3xxx		94.00	94.00	
Full anti-slip				191.00	191.00	
Partial anti-slip				101.00	101.00	

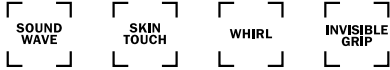
REQUIRED: INFLOW/OUTFLOW TECHNOLOGY^{•1}	Model	Order No.	Price	Alpine White (I)	Sanitary Colours (II, III)	Coord. Colours (IV)
Special waste and overflow fitting with enamelled waste cover and enamelled overflow knob	KA 4040					
enamelled		6877 7208 xxxx		259.00	336.00	336.00
enamelled INVISIBLE GRIP		6877 7208 1001		259.00		
Special waste and overflow fitting with integrated filling function, enamelled waste cover and overflow knob	KA 4041					
enamelled		6877 7210 xxxx		558.00	726.00	726.00
enamelled INVISIBLE GRIP		6877 7210 1001		558.00		

OPTIONAL: INSTALLATION^{•1}	Model	Order No.	Price	Alpine White (I)	Sanitary Colours (II, III)	Coord. Colours (IV)
Bathtub installation set includes everything for professional installation including bath pedestal 5030/5032	BIS 5043	6876 7651 0000	162.00			
Pedestal ALLROUND 5030		5814 7000 0000	47.00			
Special pedestal Mod.5032		5816 7000 0000	67.00			
Wall anchor		6876 7513 0000	25.50			
Grip Discreet Opulence Type A (1 grip), chrome		5900 7000 0999	283.00			
Sealing kit FLEX		6897 2052 0000	51.50			
Bath Sound absorbing set		6876 7573 0000	47.00			
Installation tape WES 130 For sound insulation and separation between the bottom edge of the product and the brickwork		6876 7654 0000	15.50			

OPTIONAL: SOUND SYSTEM^{•1}	Model	Order No.	Price	Alpine White (I)	Sanitary Colours (II, III)	Coord. Colours (IV)
SOUND WAVE SOUND WAVE can be used with all KALDEWEI bathtubs, except models with polystyrene support and whirl systems!	6802	5845 7613 0000	686.00			

CENTRO DUO 2

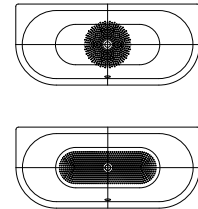
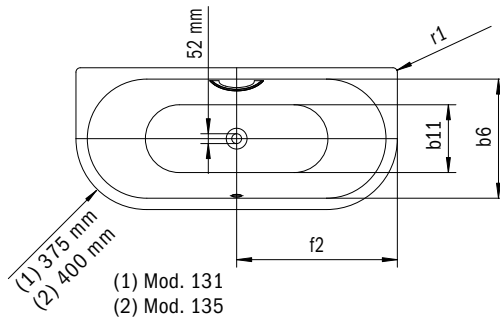
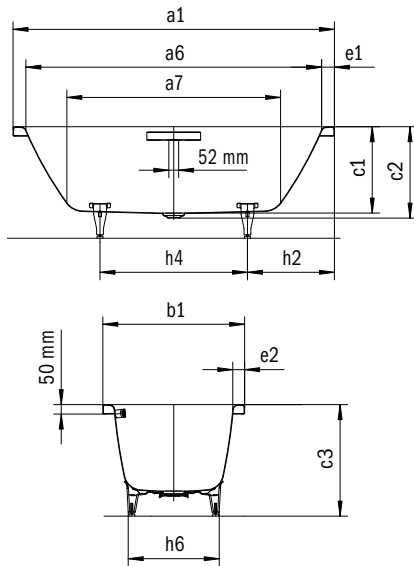
- Pure simplicity and unpretentious elegance are what distinguish these baths
- Enamelled waste cover and overflow knob integrated in the bath design (also available with filling function)
- Bathing with a friend: two identical back rests and centrally positioned waste



GRIP DISCREET OPULENCE

Similar illustration

CENTRO DUO 2	ALPINE WHITE	SANITARY COLOURS				COORDINATED COLOURS															
	001	BAHAMABEIGE 030	MANHATTAN 199	PERGAMON 231	BLACK 701	ALPINE WHITE MATT 711	WARM BEIGE 20 661	WARM BEIGE 40 668	WARM GREY 10 668	WARM GREY 30	WARM GREY 50	WARM GREY 60 671	WARM GREY 70	WARM GREY 80	WARM GREY 85	WARM GREY 90	COOL GREY 30 663	COOL GREY 40	COOL GREY 70 665	COOL GREY 80	COOL GREY 90 667



Model	External length [mm]	Internal length (top) [mm]	Internal length (bottom) [mm]	External width [mm]	Internal width (top) [mm]	Internal width (bottom) [mm]	Depth inside [mm]	Depth incl. waste hole [mm]	Height with feet [mm]	Width of rim (foot end; long side) [mm]	Distance bath edge to centre of waste hole [mm]	Distance foot end of bath edge to centre of foot [mm]	Distance between the feet [mm]	Width of feet max. [mm]	External radius [mm]	Water volume [l]	Net weight [kg]
	a ₁	a ₆	a ₇	b ₁	b ₆	b ₁₁	c ₁	c ₂	c ₃	e ₁ ; e ₂	f ₂	h ₂	h ₄	h ₆	r ₁		
131	1700	1580	1130	750	630	510	460	485	605 - 640	60; 60	850	560	580	465	23	156	51
135	1800	1680	1230	800	680	560	460	485	595 - 630	60; 60	900	600	600	540	23	195	52

	Model	Order No.	Dimensions (mm)	EUR		
				Alpine White (I)	Sanitary Colours (II, III)	Coord. Colours (IV)
CENTRO DUO 2	131	2831 0001 xxxx	1700 x 750 x 460	2,528.00	3,285.00	3,285.00
for model 131 base frame Allround Mod. 5030, for model 135 special base frame 5032	135	2835 0001 xxxx	1800 x 800 x 460	3,140.00	4,081.00	4,081.00
Model with grip holes on one side available		xxxx 1011 xxxx		without extra charge	without extra charge	without extra charge

OPTIONAL: SURFACE FINISHES	Model	Order No.	Price	Alpine White (I)	Sanitary Colours (II, III)	Coord. Colours (IV)
INVISIBLE GRIP Almost invisible slip resistance on the standing surface. Cannot be combined with easy-clean finish		xxxxxxxx1xxx		167.50		
Easy-clean finish		xxxxxxxx3xxx		94.00	94.00	
Full anti-slip				191.00	191.00	
Partial anti-slip				101.00	101.00	

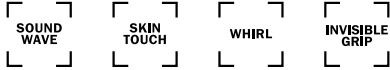
REQUIRED: INFLOW/OUTFLOW TECHNOLOGY^{•1}	Model	Order No.	Price	Alpine White (I)	Sanitary Colours (II, III)	Coord. Colours (IV)
Special waste and overflow fitting with enamelled waste cover and enamelled overflow knob	KA 4040					
enamelled		6877 7208 xxxx		259.00	336.00	336.00
enamelled INVISIBLE GRIP		6877 7208 1001		259.00		
Special waste and overflow fitting with integrated filling function, enamelled waste cover and overflow knob	KA 4041					
enamelled		6877 7210 xxxx		558.00	726.00	726.00
enamelled INVISIBLE GRIP		6877 7210 1001		558.00		

OPTIONAL: INSTALLATION^{•1}	Model	Order No.	Price	Alpine White (I)	Sanitary Colours (II, III)	Coord. Colours (IV)
Bathtub installation set includes everything for professional installation including bath pedestal 5030/5032	BIS 5043	6876 7651 0000	162.00			
Pedestal ALLROUND 5030		5814 7000 0000	47.00			
Special pedestal Mod.5032		5816 7000 0000	67.00			
Wall anchor		6876 7513 0000	25.50			
Grip Discreet Opulence Type A (1 grip), chrome		5900 7000 0999	283.00			
Sealing kit FLEX		6897 2052 0000	51.50			
Bath Sound absorbing set		6876 7573 0000	47.00			
Installation tape WES 130 For sound insulation and separation between the bottom edge of the product and the brickwork		6876 7654 0000	15.50			

OPTIONAL: SOUND SYSTEM^{•1}	Model	Order No.	Price	Alpine White (I)	Sanitary Colours (II, III)	Coord. Colours (IV)
SOUND WAVE SOUND WAVE can be used with all KALDEWEI bathtubs, except models with polystyrene support and whirl systems!	6802	5845 7613 0000	686.00			

CENTRO DUO OVAL

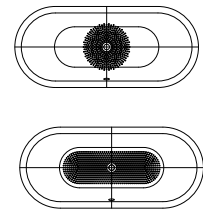
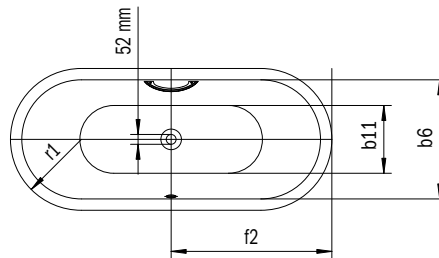
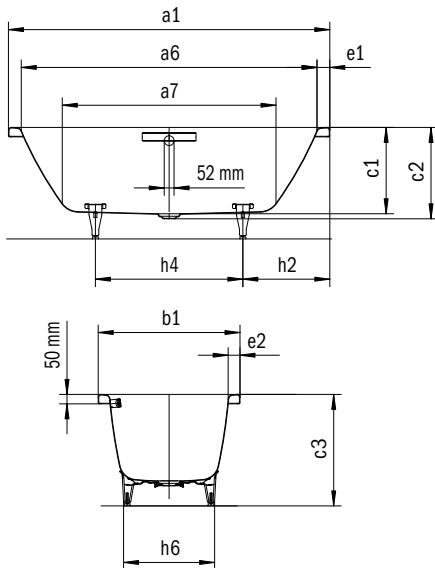
- Pure simplicity and unpretentious elegance are what distinguish these baths
- Enamelled waste cover and overflow knob integrated in the bath design (also available with filling function)
- Bathing with a friend: two identical back rests and centrally positioned waste



GRIP DISCREET OPULENCE

Similar illustration

CENTRO DUO OVAL	ALPINE WHITE	SANITARY COLOURS				COORDINATED COLOURS																	
	001	BAHAMABEIGE 030	MANHATTAN 199	PERGAMON 231	BLACK 701	ALPINE WHITE MATT 711	WARM BEIGE 20 661	WARM BEIGE 40 668	WARM GREY 10 668	WARM GREY 30	WARM GREY 50	WARM GREY 60 671	WARM GREY 70	WARM GREY 80	WARM GREY 85	WARM GREY 90	COOL GREY 30 663	COOL GREY 40	COOL GREY 70 665	COOL GREY 80	COOL GREY 90 667	BLACK MATT 100 676	



Model	External length [mm]	Internal length (top) [mm]	Internal length (bottom) [mm]	External width [mm]	Internal width (top) [mm]	Internal width (bottom) [mm]	Depth inside [mm]	Depth incl. waste hole [mm]	Height with feet [mm]	Width of rim (foot end; long side) [mm]	Distance bath edge to centre of waste hole [mm]	Distance foot end of bath edge to centre of foot [mm]	Distance between the feet [mm]	Width of feet max. [mm]	External radius [mm]	Water volume [l]	Net weight [kg]
	a ₁	a ₆	a ₇	b ₁	b ₆	b ₁₁	c ₁	c ₂	c ₃	e ₁ ; e ₂	f ₂	h ₂	h ₄	h ₆	r ₁		
127	1700	1580	1130	750	630	510	460	485	605 - 640	60; 60	850	560	580	465	375	156	48
128	1800	1680	1230	800	680	560	460	485	595 - 630	60; 60	900	600	600	540	400	195	53

	Model	Order No.	Dimensions (mm)	EUR		
				Alpine White (I)	Sanitary Colours (II, III)	Coord. Colours (IV)
CENTRO DUO OVAL	127	2827 0001 xxxx	1700 x 750 x 460	2,528.00	3,285.00	3,285.00
for model 127-1 base frame Allround Mod. 5030, for model 128-1 special base frame 5032	128	2828 0001 xxxx	1800 x 800 x 460	3,140.00	4,081.00	4,081.00
Model with grip holes on one side available		xxxx 1011 xxxx		without extra charge	without extra charge	without extra charge

OPTIONAL: SURFACE FINISHES	Model	Order No.	Price	Alpine White (I)	Sanitary Colours (II, III)	Coord. Colours (IV)
INVISIBLE GRIP		xxxxxxxx1xxx		167.50		
Almost invisible slip resistance on the standing surface. Cannot be combined with easy-clean finish						
Easy-clean finish		xxxxxxxx3xxx		94.00	94.00	
Full anti-slip				191.00	191.00	
Partial anti-slip				101.00	101.00	

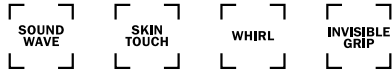
REQUIRED: INFLOW/OUTFLOW TECHNOLOGY^{•1}	Model	Order No.	Price	Alpine White (I)	Sanitary Colours (II, III)	Coord. Colours (IV)
Special waste and overflow fitting	KA 4040					
with enamelled waste cover and enamelled overflow knob						
enamelled		6877 7208 xxxx		259.00	336.00	336.00
enamelled INVISIBLE GRIP		6877 7208 1001		259.00		
Special waste and overflow fitting	KA 4041					
with integrated filling function, enamelled waste cover and overflow knob						
enamelled		6877 7210 xxxx		558.00	726.00	726.00
enamelled INVISIBLE GRIP		6877 7210 1001		558.00		

OPTIONAL: INSTALLATION^{•1}	Model	Order No.	Price	Alpine White (I)	Sanitary Colours (II, III)	Coord. Colours (IV)
Bathtub installation set	BIS 5043	6876 7651 0000	162.00			
includes everything for professional installation including bath pedestal 5030/5032						
Pedestal ALLROUND 5030		5814 7000 0000	47.00			
Special pedestal Mod.5032		5816 7000 0000	67.00			
Wall anchor		6876 7513 0000	25.50			
Grip Discreet Opulence		5900 7000 0999	283.00			
Type A (1 grip), chrome						
Bath Sound absorbing set		6876 7573 0000	47.00			
Installation tape WES 130		6876 7654 0000	15.50			
For sound insulation and separation between the bottom edge of the product and the brickwork						

OPTIONAL: SOUND SYSTEM^{•1}	Model	Order No.	Price	Alpine White (I)	Sanitary Colours (II, III)	Coord. Colours (IV)
SOUND WAVE	6802	5845 7613 0000	686.00			
SOUND WAVE can be used with all KALDEWEI bathtubs, except models with polystyrene support and whirl systems!						

CONODUO

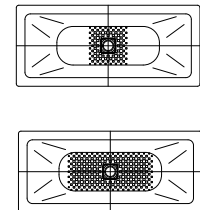
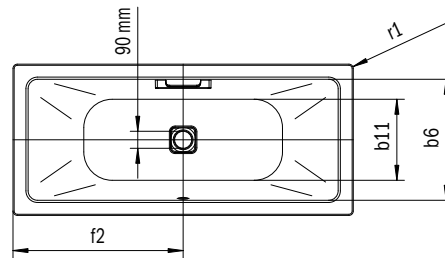
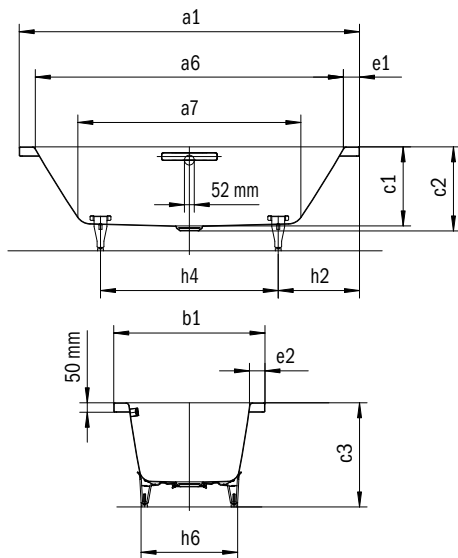
- Straight-lined, purist design
- Enamelled waste cover and overflow knob integrated in the bath design (also available with filling function)
- Classic four-cornered model
- Bathing with a friend: two identical back rests and centrally positioned waste
- Designed by Sottsass Associati



GRIP ELEGANT PURISM

Similar illustration

CONODUO	ALPINE WHITE	SANITARY COLOURS				COORDINATED COLOURS															
	001	BAHAMABEIGE 030	MANHATTAN 199	PERGAMON 231	BLACK 701	ALPINE WHITE MATT 711	WARM BEIGE 20 661	WARM BEIGE 40 668	WARM GREY 10 668	WARM GREY 30 668	WARM GREY 50 668	WARM GREY 60 671	WARM GREY 70 671	WARM GREY 80 671	WARM GREY 85 671	WARM GREY 90 671	COOL GREY 30 663	COOL GREY 40 663	COOL GREY 70 665	COOL GREY 80 665	COOL GREY 90 667



Model	External length [mm]	Internal length (top) [mm]	Internal length (bottom) [mm]	External width [mm]	Internal width (top) [mm]	Internal width (bottom) [mm]	Depth inside [mm]	Depth incl. waste hole [mm]	Height with feet [mm]	Width of rim (foot end; long side) [mm]	Distance bath edge to centre of waste hole [mm]	Distance foot end of bath edge to centre of foot [mm]	Distance between the feet [mm]	Width of feet max. [mm]	External radius [mm]	Water volume [l]	Net weight [kg]
	a ₁	a ₆	a ₇	b ₁	b ₆	b ₁₁	c ₁	c ₂	c ₃	e ₁ ; e ₂	f ₂	h ₂	h ₄	h ₆	r ₁		
732	1700	1540	1080	750	590	470	420	445	565 - 600	80; 80	850	555	590	445	23	122	52
733	1800	1640	1180	800	640	520	420	445	555 - 590	80; 80	900	555	690	515	23	159	57
734	1900	1740	1280	900	740	620	420	445	555 - 590	80; 80	950	570	760	610	23	220	65
735	2000	1800	1340	1000	800	680	420	445	555 - 590	100; 100	1000	620	760	675	23	260	74

	Model	Order No.	Dimensions (mm)	Alpine White (I)	Sanitary Colours (II, III)	EUR Coord. Colours (IV)
CONODUO	732	2350 0001 xxxx	1700 x 750 x 420	1,287.00	1,674.00	1,674.00
	733	2351 0001 xxxx	1800 x 800 x 420	1,617.00	2,103.00	2,103.00
	734	2352 0001 xxxx	1900 x 900 x 420	2,232.00	2,902.00	2,902.00
	735	2353 0001 xxxx	2000 x 1000 x 420	2,621.00	3,406.00	3,406.00
Model with grip holes on one side available		xxxx 1011 xxxx		without extra charge	without extra charge	without extra charge

OPTIONAL: SURFACE FINISHES	Model	Order No.	Price	Alpine White (I)	Sanitary Colours (II, III)	Coord. Colours (IV)
INVISIBLE GRIP Almost invisible slip resistance on the standing surface. Cannot be combined with easy-clean finish		xxxxxxx1xxx		167.50		
Easy-clean finish		xxxxxxx3xxx		94.00	94.00	
Full anti-slip				191.00	191.00	
Partial anti-slip				101.00	101.00	

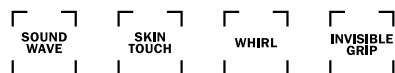
REQUIRED: INFLOW/OUTFLOW TECHNOLOGY^{•1}	Model	Order No.	Price	Alpine White (I)	Sanitary Colours (II, III)	Coord. Colours (IV)
Special waste and overflow fitting with enamelled waste cover and enamelled overflow knob	KA 4080					
enamelled		6877 7200 xxxx		259.00	336.00	336.00
enamelled INVISIBLE GRIP		6877 7200 1001		259.00		
Special waste and overflow fitting with integrated filling function, enamelled waste cover and overflow knob	KA 4081					
enamelled		6877 7202 xxxx		558.00	726.00	726.00
enamelled INVISIBLE GRIP		6877 7202 1001		558.00		

OPTIONAL: INSTALLATION^{•1}	Model	Order No.	Price	Alpine White (I)	Sanitary Colours (II, III)	Coord. Colours (IV)
Bathtub installation set includes everything for professional installation including bath pedestal 5037	BIS 5044	6876 7652 0000	180.00			
Special pedestal Mod.5037		5831 7000 0000	67.00			
Wall anchor		6876 7513 0000	25.50			
Grip ELEGANT PURISM Type A (1 grip), chrome		5904 7000 0999	283.00			
Sealing kit FLEX		6897 2052 0000	51.50			
Bath Sound absorbing set		6876 7573 0000	47.00			
Installation tape WES 130 For sound insulation and separation between the bottom edge of the product and the brickwork		6876 7654 0000	15.50			

OPTIONAL: SOUND SYSTEM^{•1}	Model	Order No.	Price	Alpine White (I)	Sanitary Colours (II, III)	Coord. Colours (IV)
SOUND WAVE SOUND WAVE can be used with all KALDEWEI bathtubs, except models with polystyrene support and whirl systems!	6802	5845 7613 0000	686.00			

ELLIPSO DUO

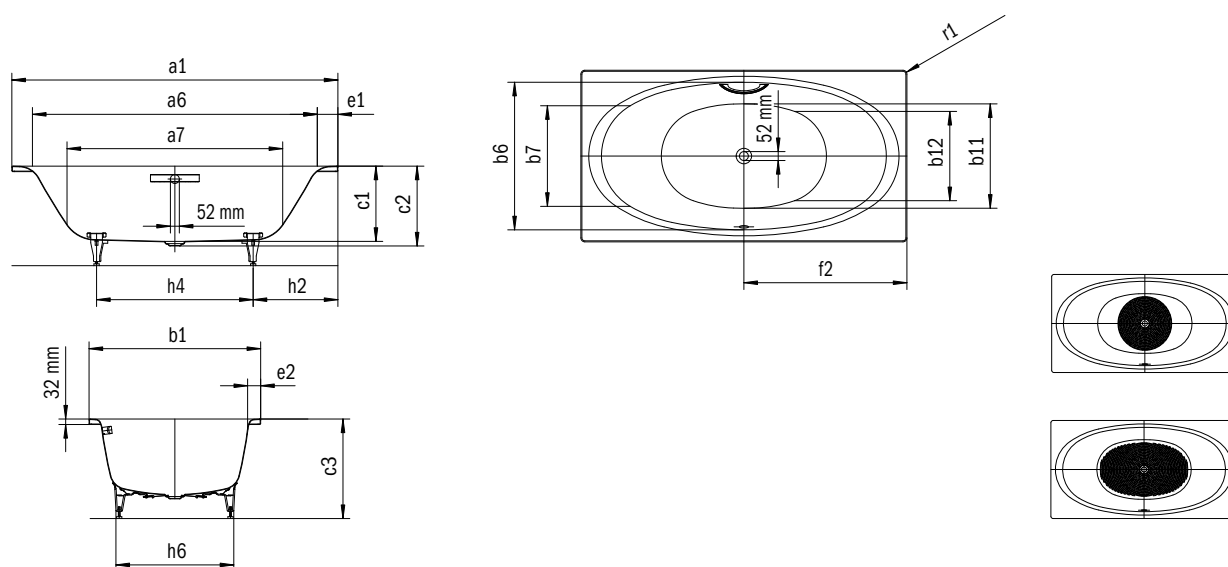
- Gently shaped shoulder rest for more pleasure and comfort
- Classic four-cornered model
- Enamelled waste cover and overflow knob integrated in the bath design (also available with filling function)
- Bathing with a friend: two identical back rests and centrally positioned waste



GRIP DISCREET OPULENCE

Similar illustration

ELLIPSO DUO	ALPINE WHITE	SANITARY COLOURS				COORDINATED COLOURS																	
	001	BAHAMABEIGE 030	MANHATTAN 199	PERGAMON 231	BLACK 701	ALPINE WHITE MATT 711	WARM BEIGE 20 661	WARM BEIGE 40 668	WARM GREY 10 668	WARM GREY 30	WARM GREY 50	WARM GREY 60 671	WARM GREY 70	WARM GREY 80	WARM GREY 85	WARM GREY 90	COOL GREY 30 663	COOL GREY 40	COOL GREY 70 665	COOL GREY 80	COOL GREY 90 667	BLACK MATT 100 676	



Model	External length [mm]	Internal length (top) [mm]	Internal length (bottom) [mm]	External width [mm]	Internal width (top) [mm]	Internal width (bottom) [mm]	Depth inside [mm]	Depth incl. waste hole [mm]	Height with feet [mm]	Width of rim (foot end; long side) [mm]	Distance bath edge to centre of waste hole [mm]	Distance foot end of bath edge to centre of foot [mm]	Distance between the feet [mm]	Width of feet max. [mm]	External radius [mm]	Water volume [l]	Net weight [kg]
	a ₁	a ₆	a ₇	b ₁	b ₆	b ₁₁	c ₁	c ₂	c ₃	e ₁ ; e ₂	f ₂	h ₂	h ₄	h ₆	r ₁		
230	1900	1660	1260	1000	860	610	440	465	565 - 595	120; 65	950	585	730	620	23	214	59

	Model	Order No.	Dimensions (mm)	Alpine White (I)	Sanitary Colours (II, III)	Coord. Colours (IV)	EUR
ELLIPSO DUO	230	2860 0001 xxxx	1900 x 1000 x 440	2,411.00	3,132.00	3,132.00	
Model with grip holes on one side available		xxxx 1011 xxxx		without extra charge	without extra charge	without extra charge	

OPTIONAL: SURFACE FINISHES	Model	Order No.	Price	Alpine White (I)	Sanitary Colours (II, III)	Coord. Colours (IV)
INVISIBLE GRIP Almost invisible slip resistance on the standing surface. Cannot be combined with easy-clean finish		xxxxxxx1xxx		167.50		
Easy-clean finish		xxxxxxx3xxx		94.00	94.00	
Full anti-slip				191.00	191.00	
Partial anti-slip				101.00	101.00	

REQUIRED: INFLOW/OUTFLOW TECHNOLOGY^{•1}	Model	Order No.	Price	Alpine White (I)	Sanitary Colours (II, III)	Coord. Colours (IV)
Special waste and overflow fitting with enamelled waste cover and enamelled overflow knob	KA 4040					
enamelled		6877 7208 xxxx		259.00	336.00	336.00
enamelled INVISIBLE GRIP		6877 7208 1001		259.00		
Special waste and overflow fitting with integrated filling function, enamelled waste cover and overflow knob	KA 4041					
enamelled		6877 7210 xxxx		558.00	726.00	726.00
enamelled INVISIBLE GRIP		6877 7210 1001		558.00		

OPTIONAL: INSTALLATION^{•1}	Model	Order No.	Price	Alpine White (I)	Sanitary Colours (II, III)	Coord. Colours (IV)
Bathtub installation set includes everything for professional installation including bath pedestal 5037	BIS 5044	6876 7652 0000	180.00			
Special pedestal Mod.5037		5831 7000 0000	67.00			
Wall anchor		6876 7513 0000	25.50			
Grip Discreet Opulence Type C (1 grip), chrome		5902 7000 0999	283.00			
Sealing kit FLEX		6897 2052 0000	51.50			
Bath Sound absorbing set		6876 7573 0000	47.00			
Installation tape WES 130 For sound insulation and separation between the bottom edge of the product and the brickwork		6876 7654 0000	15.50			

OPTIONAL: SOUND SYSTEM^{•1}	Model	Order No.	Price	Alpine White (I)	Sanitary Colours (II, III)	Coord. Colours (IV)
SOUND WAVE SOUND WAVE can be used with all KALDEWEI bathtubs, except models with polystyrene support and whirl systems!	6802	5845 7613 0000	686.00			

ELLIPSO DUO OVAL

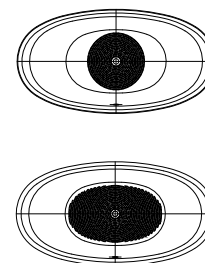
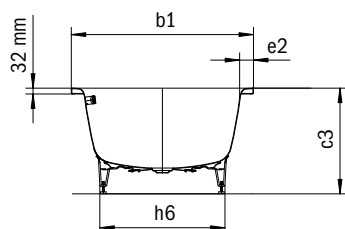
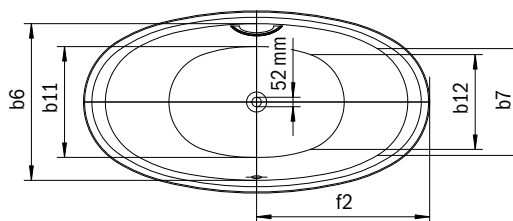
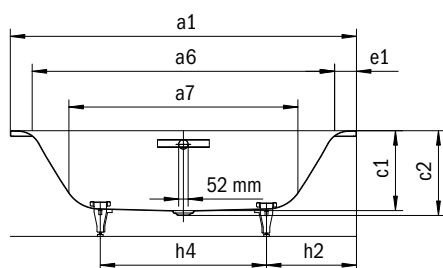
- Gently shaped shoulder rest for more pleasure and comfort
- Elliptical exterior form reflects the interior form
- Enamelled waste cover and overflow knob integrated in the bath design (also available with filling function)
- Bathing with a friend: two identical back rests and centrally positioned waste



GRIP DISCREET OPULENCE

Similar illustration

	ALPINE WHITE	SANITARY COLOURS				COORDINATED COLOURS																	
	001	BAHAMABEIGE 030	MANHATTAN 199	PERGAMON 231	BLACK 701	ALPINE WHITE MATT 711	WARM BEIGE 20 661	WARM BEIGE 40	WARM GREY 10 668	WARM GREY 30	WARM GREY 50	WARM GREY 60 671	WARM GREY 70	WARM GREY 80	WARM GREY 85	WARM GREY 90	COOL GREY 30 663	COOL GREY 40	COOL GREY 70 665	COOL GREY 80	COOL GREY 90 667	BLACK MATT 100 676	
ELLIPSO DUO OVAL																							



Model	External length [mm]	Internal length (top) [mm]	Internal length (bottom) [mm]	External width [mm]	Internal width (top) [mm]	Internal width (bottom) [mm]	Depth inside [mm]	Depth incl. waste hole [mm]	Height with feet [mm]	Width of rim (foot end; long side) [mm]	Distance bath edge to centre of waste hole [mm]	Distance foot end of bath edge to centre of foot [mm]	Distance between the feet [mm]	Width of feet max. [mm]	Äußerer Radius [mm]	Water volume [l]	Net weight [kg]
232	a ₁	a ₆	a ₇	b ₁	b ₆	b ₁₁	c ₁	c ₂	c ₃	e ₁ ; e ₂	f ₂	h ₂	h ₄	h ₆	r ₁		
232	1900	1660	1260	1000	860	610	440	465	565 - 595	120; 65	950	585	730	620	-	214	55

	Model	Order No.	Dimensions (mm)	Alpine White (I)	Sanitary Colours (II, III)	Coord. Colours (IV)	EUR
ELLIPSO DUO OVAL	232	2862 0001 xxxx	1900 x 1000 x 440	3,179.00	4,133.00	4,133.00	
Model with grip holes on one side available		xxxx 1011 xxxx		without extra charge	without extra charge	without extra charge	

OPTIONAL: SURFACE FINISHES	Model	Order No.	Price	Alpine White (I)	Sanitary Colours (II, III)	Coord. Colours (IV)
INVISIBLE GRIP Almost invisible slip resistance on the standing surface. Cannot be combined with easy-clean finish		xxxxxxx1xxx		167.50		
Easy-clean finish		xxxxxxx3xxx		94.00	94.00	
Full anti-slip				191.00	191.00	
Partial anti-slip				101.00	101.00	

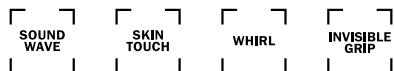
REQUIRED: INFLOW/OUTFLOW TECHNOLOGY^{•1}	Model	Order No.	Price	Alpine White (I)	Sanitary Colours (II, III)	Coord. Colours (IV)
Special waste and overflow fitting with enamelled waste cover and enamelled overflow knob	KA 4040					
enamelled		6877 7208 xxxx		259.00	336.00	336.00
enamelled INVISIBLE GRIP		6877 7208 1001		259.00		
Special waste and overflow fitting with integrated filling function, enamelled waste cover and overflow knob	KA 4041					
enamelled		6877 7210 xxxx		558.00	726.00	726.00
enamelled INVISIBLE GRIP		6877 7210 1001		558.00		

OPTIONAL: INSTALLATION^{•1}	Model	Order No.	Price	Alpine White (I)	Sanitary Colours (II, III)	Coord. Colours (IV)
Bathtub installation set includes everything for professional installation including bath pedestal 5037	BIS 5044	6876 7652 0000	180.00			
Special pedestal Mod.5037		5831 7000 0000	67.00			
Wall anchor		6876 7513 0000	25.50			
Grip Discreet Opulence Type C (1 grip), chrome		5902 7000 0999	283.00			
Bath Sound absorbing set		6876 7573 0000	47.00			
Installation tape WES 130 For sound insulation and separation between the bottom edge of the product and the brickwork		6876 7654 0000	15.50			

OPTIONAL: SOUND SYSTEM^{•1}	Model	Order No.	Price	Alpine White (I)	Sanitary Colours (II, III)	Coord. Colours (IV)
SOUND WAVE SOUND WAVE can be used with all KALDEWEI bathtubs, except models with polystyrene support and whirl systems!	6802	5845 7613 0000	686.00			

PLAZA DUO LEFT

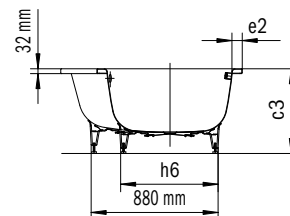
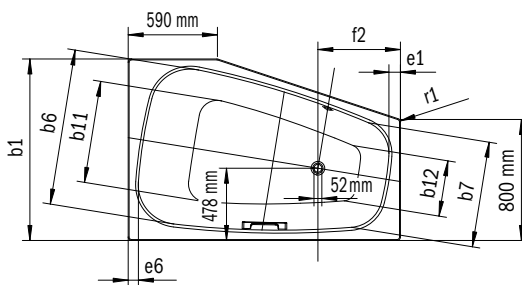
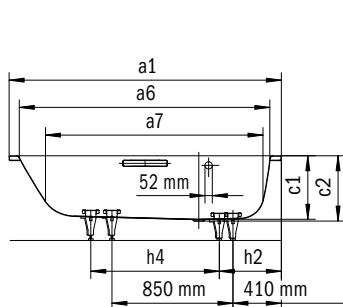
- The spacious interior enables you to adopt a wide range of positions when bathing
- Available as right or left-hand model
- Bathing with a friend: sit next to each other



GRIP ELEGANT PURISM

Similar illustration

PLAZA DUO	ALPINE WHITE	SANITARY COLOURS				COORDINATED COLOURS																	
	001	BAHAMABEIGE 030	MANHATTAN 199	PERGAMON 231	BLACK 701	ALPINE WHITE MATT 711	WARM BEIGE 20 661	WARM BEIGE 40	WARM GREY 10	WARM GREY 30	WARM GREY 50	WARM GREY 60	WARM GREY 70	WARM GREY 80	WARM GREY 85	WARM GREY 90	COOL GREY 30	COOL GREY 40	COOL GREY 70	COOL GREY 80	COOL GREY 90	BLACK MATT 100	



Model	External length [mm]	Internal length (top) [mm]	Internal length (bottom) [mm]	External width [mm]	Internal width (top) [mm]	Internal width (bottom) [mm]	Depth inside [mm]	Depth incl. waste hole [mm]	Height with feet [mm]	Width of rim (foot end; long side; head end) [mm]	Distance bath edge to centre of waste hole [mm]	Distance foot end of bath edge to centre of foot [mm]	Distance between the feet [mm]	Width of feet max. [mm]	External radius [mm]	Water volume [l]	Net weight [kg]
192	a ₁	a ₆	a ₇	b ₁	b ₆	b ₁₁	c ₁	c ₂	c ₃	e ₁ ; e ₂ ; e ₆	f ₂	h ₂	h ₄	h ₆	r ₁		
192	1800	1625	1410	1200	1035	738	420	430	552 - 560	74; 66; 61	545	320	800	600	23	273	66

	Model	Order No.	Dimensions (mm)	Alpine White (I)	Sanitary Colours (II, III)	Coord. Colours (IV)	EUR
PLAZA DUO LEFT	192	2372 0001 xxxx	1800 x 1200 x 420	3,483.00	4,529.00	4,529.00	
Model with grip holes on one side available		xxxx 1011 xxxx		without extra charge	without extra charge	without extra charge	

OPTIONAL: SURFACE FINISHES	Model	Order No.	Price	Alpine White (I)	Sanitary Colours (II, III)	Coord. Colours (IV)
INVISIBLE GRIP Almost invisible slip resistance on the standing surface. Cannot be combined with easy-clean finish		xxxxxxx 1 xxx		167.50		
Easy-clean finish		xxxxxxx 3 xxx		94.00	94.00	

OPTIONAL: INFLOW/OUTFLOW TECHNOLOGY^{•1}	Model	Order No.	Price	Alpine White (I)	Sanitary Colours (II, III)	Coord. Colours (IV)
COMFORT LEVEL extended	KA 4002					
alpine white		6877 7249 0001		228.00		
alpine white matt		6877 7234 0711				251.00
black matt 100		6877 7234 0676				251.00
chrome		6877 7234 0999	228.00			
COMFORT LEVEL PLUS extended with integrated filling function	KA 4012					
alpine white		6877 7251 0001		537.00		
alpine white matt		6877 7238 0711				591.00
black matt 100		6877 7238 0676				591.00
chrome		6877 7238 0999	537.00			
Waste and overflow fitting extended chrome	4078	6877 7141 0999	92.00			

OPTIONAL: INSTALLATION^{•1}	Model	Order No.	Price	Alpine White (I)	Sanitary Colours (II, III)	Coord. Colours (IV)
Bathtub installation set includes everything for professional installation including universal waste and overflow set and bath pedestal 5037	BIS 5042	6876 7650 0000	252.00			
Bathtub installation set includes everything for professional installation including bath pedestal 5037	BIS 5044	6876 7652 0000	180.00			
Special pedestal Mod.5037		5831 7000 0000	67.00			
Wall anchor		6876 7513 0000	25.50			
Grip ELEGANT PURISM Type B (1 grip), chrome		5905 7000 0999	283.00			
Sealing kit FLEX		6897 2052 0000	51.50			
Bath Sound absorbing set		6876 7573 0000	47.00			
Installation tape WES 130 For sound insulation and separation between the bottom edge of the product and the brickwork		6876 7654 0000	15.50			

OPTIONAL: SOUND SYSTEM^{•1}	Model	Order No.	Price	Alpine White (I)	Sanitary Colours (II, III)	Coord. Colours (IV)
SOUND WAVE SOUND WAVE can be used with all KALDEWEI bathtubs, except models with polystyrene support and whirl systems!	6802	5845 7613 0000	686.00			

PLAZA DUO RIGHT

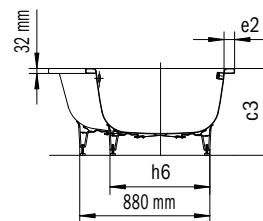
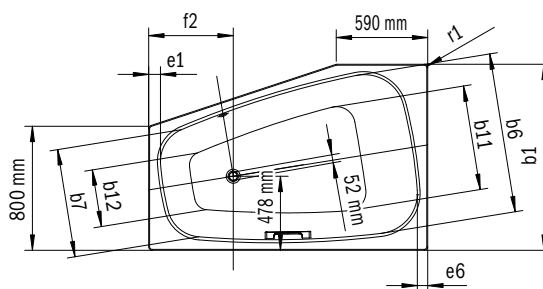
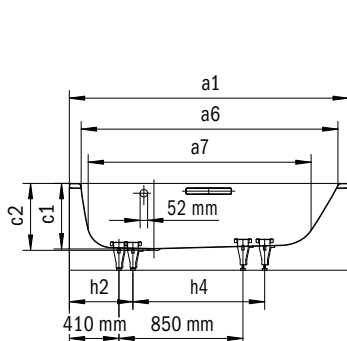
- The spacious interior enables you to adopt a wide range of positions when bathing
- Available as right or left-hand model
- Bathing with a friend: sit next to each other



GRIP ELEGANT PURISM

Similar illustration

	ALPINE WHITE	BAHAMABEIGE	MANHATTAN	PERGAMON	BLACK	COORDINATED COLOURS	ALPINE WHITE MATT	WARM BEIGE 20	WARM BEIGE 40	WARM GREY 10	WARM GREY 30	WARM GREY 50	WARM GREY 60	WARM GREY 70	WARM GREY 80	WARM GREY 85	WARM GREY 90	COOL GREY 30	COOL GREY 40	COOL GREY 70	COOL GREY 80	COOL GREY 90	BLACK MATT 100	
PLAZA DUO	001	SANITARY COLOURS 030	199	231	701		711	661																



Model	External length [mm]	Internal length (top) [mm]	Internal length (bottom) [mm]	External width [mm]	Internal width (top) [mm]	Internal width (bottom) [mm]	Depth inside [mm]	Depth incl. waste hole [mm]	Height with feet [mm]	Width of rim (foot end; long side; head end) [mm]	Distance bath edge to centre of waste hole [mm]	Distance foot end of bath edge to centre of foot [mm]	Distance between the feet [mm]	Width of feet max. [mm]	External radius [mm]	Water volume [l]	Net weight [kg]
190	a ₁	a ₆	a ₇	b ₁	b ₆	b ₁₁	c ₁	c ₂	c ₃	e ₁ ; e ₂ ; e ₆	f ₂	h ₂	h ₄	h ₆	r ₁		
190	1800	1625	1410	1200	1035	738	420	430	552 - 560	74; 66; 61	545	320	800	600	23	273	66

	Model	Order No.	Dimensions (mm)	Alpine White (I)	Sanitary Colours (II, III)	Coord. Colours (IV)	EUR
PLAZA DUO RIGHT	190	2370 0001 xxxx	1800 x 1200 x 420	3,483.00	4,529.00	4,529.00	
Model with grip holes on one side available		xxxx 1011 xxxx		without extra charge	without extra charge	without extra charge	

OPTIONAL: SURFACE FINISHES	Model	Order No.	Price	Alpine White (I)	Sanitary Colours (II, III)	Coord. Colours (IV)
INVISIBLE GRIP Almost invisible slip resistance on the standing surface. Cannot be combined with easy-clean finish		xxxxxxx 1 xxx		167.50		
Easy-clean finish		xxxxxxx 3 xxx		94.00	94.00	

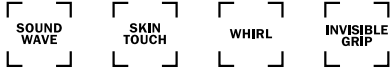
OPTIONAL: INFLOW/OUTFLOW TECHNOLOGY^{•1}	Model	Order No.	Price	Alpine White (I)	Sanitary Colours (II, III)	Coord. Colours (IV)
COMFORT LEVEL extended	KA 4002					
alpine white		6877 7249 0001		228.00		
alpine white matt		6877 7234 0711				251.00
black matt 100		6877 7234 0676				251.00
chrome		6877 7234 0999	228.00			
COMFORT LEVEL PLUS extended with integrated filling function	KA 4012					
alpine white		6877 7251 0001		537.00		
alpine white matt		6877 7238 0711				591.00
black matt 100		6877 7238 0676				591.00
chrome		6877 7238 0999	537.00			
Waste and overflow fitting extended chrome	4078	6877 7141 0999	92.00			

OPTIONAL: INSTALLATION^{•1}	Model	Order No.	Price	Alpine White (I)	Sanitary Colours (II, III)	Coord. Colours (IV)
Bathtub installation set includes everything for professional installation including universal waste and overflow set and bath pedestal 5037	BIS 5042	6876 7650 0000	252.00			
Bathtub installation set includes everything for professional installation including bath pedestal 5037	BIS 5044	6876 7652 0000	180.00			
Special pedestal Mod.5037		5831 7000 0000	67.00			
Wall anchor		6876 7513 0000	25.50			
Grip ELEGANT PURISM Type B (1 grip), chrome		5905 7000 0999	283.00			
Sealing kit FLEX		6897 2052 0000	51.50			
Bath Sound absorbing set		6876 7573 0000	47.00			
Installation tape WES 130 For sound insulation and separation between the bottom edge of the product and the brickwork		6876 7654 0000	15.50			

OPTIONAL: SOUND SYSTEM^{•1}	Model	Order No.	Price	Alpine White (I)	Sanitary Colours (II, III)	Coord. Colours (IV)
SOUND WAVE SOUND WAVE can be used with all KALDEWEI bathtubs, except models with polystyrene support and whirl systems!	6802	5845 7613 0000	686.00			

CLASSIC DUO

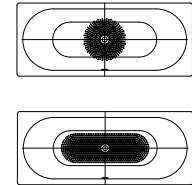
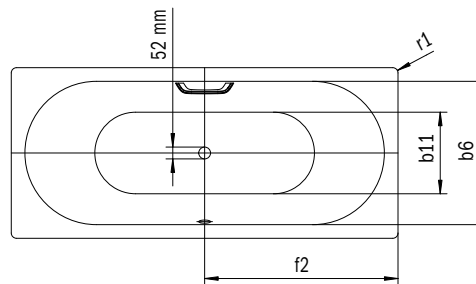
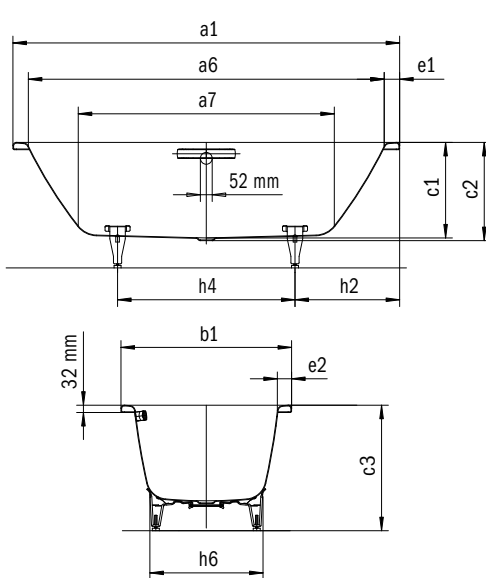
- Pure simplicity and unpretentious elegance are what distinguish these baths
- Classic four-cornered model
- Bathing with a friend: two identical back rests and centrally positioned waste



GRIP DISCREET OPULENCE

Similar illustration

CLASSIC DUO	ALPINE WHITE	BAHAMABEIGE	MANHATTAN	PERGAMON	BLACK	COORDINATED COLOURS	ALPINE WHITE MATT	WARM BEIGE 20	WARM BEIGE 40	WARM GREY 10	WARM GREY 30	WARM GREY 50	WARM GREY 60	WARM GREY 70	WARM GREY 80	WARM GREY 85	WARM GREY 90	COOL GREY 30	COOL GREY 40	COOL GREY 70	COOL GREY 80	COOL GREY 90	BLACK MATT 100
	001	SANITARY COLOURS 030	199	231	701	711	661																676



Model	External length [mm]	Internal length (top) [mm]	Internal length (bottom) [mm]	External width [mm]	Internal width (top) [mm]	Internal width (bottom) [mm]	Depth inside [mm]	Depth incl. waste hole [mm]	Height with feet [mm]	Width of rim (foot end; long side) [mm]	Distance bath edge to centre of waste hole [mm]	Distance foot end of bath edge to centre of foot [mm]	Distance between the feet [mm]	Width of feet max. [mm]	External radius [mm]	Water volume [l]	Net weight [kg]
	a ₁	a ₆	a ₇	b ₁	b ₆	b ₁₁	c ₁	c ₂	c ₃	e ₁ ; e ₂	f ₂	h ₂	h ₄	h ₆	r ₁		
103	1600	1480	1030	700	580	450	420	430	570 - 605	60; 60	800	560	480	430	23	95	44
105	1700	1580	1130	700	580	450	420	430	565 - 600	60; 60	850	560	580	420	8	110	47
107	1700	1580	1130	750	630	500	420	430	560 - 595	60; 60	850	560	580	470	8	122	47
109	1800	1680	1230	750	630	500	420	430	560 - 595	60; 60	900	600	600	470	23	143	50
110	1800	1680	1230	800	680	550	420	430	555 - 590	60; 60	900	600	600	540	8	158	53
114	1900	1780	1330	900	780	650	420	430	550 - 580	60; 60	950	630	640	650	23	213	61

	Model	Order No.	Dimensions (mm)	Alpine White (I)	Sanitary Colours (II, III)	Coord. Colours (IV)	EUR
CLASSIC DUO	103	2903 0001 xxxx	1600 x 700 x 420	870.00	1,131.00	1,131.00	
for model 103, 105, 107 and 109 base frame Allround Mod. 5030	105	2905 0001 xxxx	1700 x 700 x 420	870.00	1,131.00	1,131.00	
	107	2907 0001 xxxx	1700 x 750 x 420	870.00	1,131.00	1,131.00	
for model 110 special base frame 5032	109	2909 0001 xxxx	1800 x 750 x 420	1,025.00	1,332.00	1,332.00	
for model 114 special base frame 5037	110	2910 0001 xxxx	1800 x 800 x 420	1,025.00	1,332.00	1,332.00	
	114	2915 0001 xxxx	1900 x 900 x 420	1,417.00	1,840.00	1,840.00	
Model with grip holes on one side available		xxxx 1011 xxxx		without extra charge	without extra charge	without extra charge	

OPTIONAL: SURFACE FINISHES	Model	Order No.	Price	Alpine White (I)	Sanitary Colours (II, III)	Coord. Colours (IV)
INVISIBLE GRIP		xxxxxxx1xxx		167.50		
Almost invisible slip resistance on the standing surface. Cannot be combined with easy-clean finish						
Easy-clean finish		xxxxxxx3xxx		94.00	94.00	
Full anti-slip				191.00	191.00	
Partial anti-slip				101.00	101.00	

OPTIONAL: INFLOW/OUTFLOW TECHNOLOGY^{•1}	Model	Order No.	Price	Alpine White (I)	Sanitary Colours (II, III)	Coord. Colours (IV)
COMFORT LEVEL extended	KA 4002					
alpine white		6877 7249 0001		228.00		
alpine white matt		6877 7234 0711				251.00
black matt 100		6877 7234 0676				251.00
chrome		6877 7234 0999	228.00			
COMFORT LEVEL PLUS extended	KA 4012					
with integrated filling function						
alpine white		6877 7251 0001		537.00		
alpine white matt		6877 7238 0711				591.00
black matt 100		6877 7238 0676				591.00
chrome		6877 7238 0999	537.00			
Waste and overflow fitting extended	4078	6877 7141 0999	92.00			
chrome						

OPTIONAL: INSTALLATION^{•1}	Model	Order No.	Price	Alpine White (I)	Sanitary Colours (II, III)	Coord. Colours (IV)
Bathtub installation set	BIS 5041	6876 7649 0000	234.00			
includes everything for professional installation including universal waste and overflow set and bath pedestal 5030/5032						
Bathtub installation set	BIS 5042	6876 7650 0000	252.00			
includes everything for professional installation including universal waste and overflow set and bath pedestal 5037						
Bathtub installation set	BIS 5043	6876 7651 0000	162.00			
includes everything for professional installation including bath pedestal 5030/5032						
Bathtub installation set	BIS 5044	6876 7652 0000	180.00			
includes everything for professional installation including bath pedestal 5037						

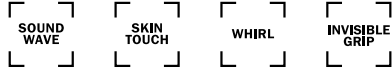
OPTIONAL: INSTALLATION •¹	Model	Order No.	Price	Alpine White (I)	Sanitary Colours (II, III)	Coord. Colours (IV)
Pedestal ALLROUND 5030		5814 7000 0000	47.00			
Special pedestal Mod.5032		5816 7000 0000	67.00			
Special pedestal Mod.5037		5831 7000 0000	67.00			
Wall anchor		6876 7513 0000	25.50			
Grip Discreet Opulence Type A (1 grip), chrome		5906 7000 0999	227.00			
Sealing kit FLEX		6897 2052 0000	51.50			
Bath Sound absorbing set		6876 7573 0000	47.00			
Installation tape WES 130 For sound insulation and separation between the bottom edge of the product and the brickwork		6876 7654 0000	15.50			

OPTIONAL: SOUND SYSTEM •¹	Model	Order No.	Price	Alpine White (I)	Sanitary Colours (II, III)	Coord. Colours (IV)
SOUND WAVE SOUND WAVE can be used with all KALDEWEI bathtubs, except models with polystyrene support and whirl systems!	6802	5845 7613 0000	686.00			



CLASSIC DUO OVAL

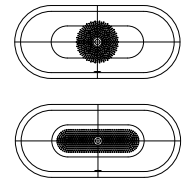
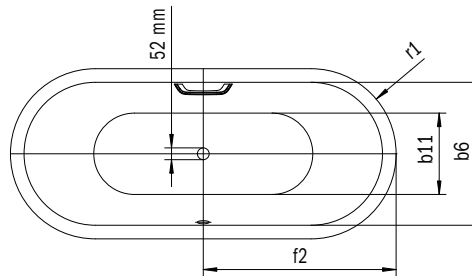
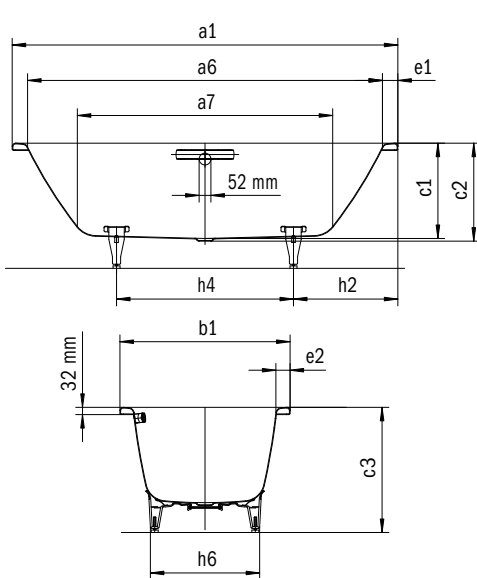
- Pure simplicity and unpretentious elegance are what distinguish these baths
- Bathing with a friend: two identical back rests and centrally positioned waste



GRIP DISCREET OPULENCE

Similar illustration

CLASSIC DUO OVAL	ALPINE WHITE	BAHAMABEIGE	MANHATTAN	PERGAMON	BLACK	COORDINATED COLOURS	ALPINE WHITE MATT	WARM BEIGE 20	WARM BEIGE 40	WARM GREY 10	WARM GREY 30	WARM GREY 50	WARM GREY 60	WARM GREY 70	WARM GREY 80	WARM GREY 85	WARM GREY 90	COOL GREY 30	COOL GREY 40	COOL GREY 70	COOL GREY 80	COOL GREY 90	BLACK MATT 100
	001	SANITARY COLOURS 030	199	231	701		711	661															676



Model	External length [mm]	Internal length (top) [mm]	Internal length (bottom) [mm]	External width [mm]	Internal width (top) [mm]	Internal width (bottom) [mm]	Depth inside [mm]	Depth incl. waste hole [mm]	Height with feet [mm]	Width of rim (foot end; long side) [mm]	Distance bath edge to centre of waste hole [mm]	Distance foot end of bath edge to centre of foot [mm]	Distance between the feet [mm]	Width of feet max. [mm]	External radius [mm]	Water volume [l]	Net weight [kg]
	a ₁	a ₆	a ₇	b ₁	b ₆	b ₁₁	c ₁	c ₂	c ₃	e ₁ ; e ₂	f ₂	h ₂	h ₄	h ₆	r ₁		
112	1600	1480	1030	700	580	450	420	430	560 - 590	60; 60	800	560	480	410	350	95	40
116	1700	1580	1130	700	580	450	420	430	565 - 600	60; 60	850	560	580	420	350	110	44
113	1700	1580	1130	750	630	500	420	430	555 - 590	60; 60	850	560	580	450	375	124	44
111	1800	1680	1230	800	680	550	420	430	555 - 590	60; 60	900	600	600	540	400	158	50

	Model	Order No.	Dimensions (mm)	Alpine White (I)	Sanitary Colours (II, III)	EUR Coord. Colours (IV)
CLASSIC DUO OVAL	112	2913 0001 xxxx	1600 x 700 x 420	1,291.00	1,678.00	1,678.00
for model 112, 113 and 116 base frame	116	2926 0001 xxxx	1700 x 700 x 420	1,291.00	1,678.00	1,678.00
Allround Mod. 5030, for modell 111 special	113	2914 0001 xxxx	1700 x 750 x 420	1,291.00	1,678.00	1,678.00
base frame 5032	111	2912 0001 xxxx	1800 x 800 x 420	1,512.00	1,966.00	1,966.00
Model with grip holes on one side available		xxxx 1011 xxxx		without extra charge	without extra charge	without extra charge

OPTIONAL: SURFACE FINISHES	Model	Order No.	Price	Alpine White (I)	Sanitary Colours (II, III)	Coord. Colours (IV)
INVISIBLE GRIP		xxxxxxx 1 xxx	167.50			
Almost invisible slip resistance on the standing surface. Cannot be combined with easy-clean finish						
Easy-clean finish		xxxxxxx 3 xxx	94.00	94.00		
Full anti-slip			191.00	191.00		
Partial anti-slip			101.00	101.00		

OPTIONAL: INFLOW/OUTFLOW TECHNOLOGY^{•1}	Model	Order No.	Price	Alpine White (I)	Sanitary Colours (II, III)	Coord. Colours (IV)
COMFORT LEVEL extended	KA 4002					
alpine white		6877 7249 0001	228.00			
alpine white matt		6877 7234 0711				251.00
black matt 100		6877 7234 0676				251.00
chrome		6877 7234 0999	228.00			
COMFORT LEVEL PLUS extended	KA 4012					
with integrated filling function						
alpine white		6877 7251 0001	537.00			
alpine white matt		6877 7238 0711				591.00
black matt 100		6877 7238 0676				591.00
chrome		6877 7238 0999	537.00			
Waste and overflow fitting extended	4078	6877 7141 0999	92.00			
chrome						

OPTIONAL: INSTALLATION^{•1}	Model	Order No.	Price	Alpine White (I)	Sanitary Colours (II, III)	Coord. Colours (IV)
Bathtub installation set	BIS 5041	6876 7649 0000	234.00			
includes everything for professional installation including universal waste and overflow set and bath pedestal 5030/5032						
Bathtub installation set	BIS 5043	6876 7651 0000	162.00			
includes everything for professional installation including bath pedestal 5030/5032						
Pedestal ALLROUND 5030		5814 7000 0000	47.00			
Special pedestal Mod.5032		5816 7000 0000	67.00			
Wall anchor		6876 7513 0000	25.50			
Grip Discreet Opulence		5906 7000 0999	227.00			
Type A (1 grip), chrome						
Bath Sound absorbing set		6876 7573 0000	47.00			
Installation tape WES 130		6876 7654 0000	15.50			
For sound insulation and separation between the bottom edge of the product and the brickwork						

OPTIONAL: SOUND SYSTEM^{•1}	Model	Order No.	Price	Alpine White (I)	Sanitary Colours (II, III)	Coord. Colours (IV)
SOUND WAVE	6802	5845 7613 0000	686.00			
SOUND WAVE can be used with all KALDEWEI bathtubs, except models with polystyrene support and whirl systems!						

DYNA SET

DYNA SET STAR



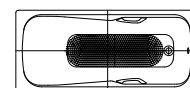
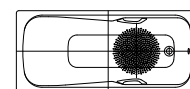
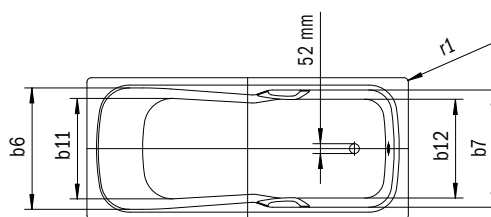
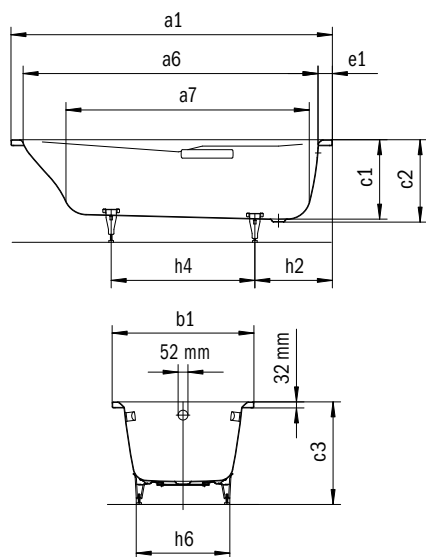
- Single-seat bath with waste positioned at the foot end
- Combi-bath suitable for bathing and showering
- Comfortable showering thanks to the specially shaped shower zone
- Generous bathtub depth for comfortable bathing
- A wide range of dimensions ensure perfect bathing comfort even in small bathrooms



DYNA SET STAR GRIPS

Similar illustration

DYNA SET	ALPINE WHITE	BAHAMABEIGE	MANHATTAN	PERGAMON	BLACK	COORDINATED COLOURS	ALPINE WHITE MATT	WARM BEIGE 20	WARM BEIGE 40	WARM GREY 10	WARM GREY 30	WARM GREY 50	WARM GREY 60	WARM GREY 70	WARM GREY 80	WARM GREY 85	WARM GREY 90	COOL GREY 30	COOL GREY 40	COOL GREY 70	COOL GREY 80	COOL GREY 90	BLACK MATT 100
	001	SANITARY COLOURS 030	199	231	701		711	661															



Model	External length [mm]	Internal length (top) [mm]	Internal length (bottom) [mm]	External width [mm]	Internal width (top) [mm]	Internal width (bottom) [mm]	Depth inside [mm]	Depth incl. waste hole [mm]	Height with feet [mm]	Width of rim (foot end) [mm]	Distance bath edge to centre of waste hole [mm]	Distance foot end of bath edge to centre of foot [mm]	Distance between the feet [mm]	Width of feet max. [mm]	External radius [mm]	Water volume [l]	Net weight [kg]
	a ₁	a ₆	a ₇	b ₁	b ₆	b ₁₁	c ₁	c ₂	c ₃	e ₁	f ₂	h ₂	h ₄	h ₆	r ₁		
624	1500	1340	1050	750	640	500	420	430	561 - 586	100	310	410	590	495	23	133	45
625	1500	1340	1050	750	640	500	420	430	561 - 586	100	310	410	590	495	23	133	45
626	1600	1440	1155	700	590	450	420	430	561 - 586	100	310	410	690	445	8	122	46
627	1600	1440	1155	700	590	450	420	430	561 - 586	100	310	410	690	445	8	122	46
620	1700	1565	1230	750	640	500	420	430	561 - 586	75	285	410	760	495	8	169	53
621	1700	1565	1230	750	640	500	420	430	561 - 586	75	285	410	760	495	8	169	53
622	1800	1565	1230	800	640	500	420	430	561 - 586	125	335	415	805	495	8	169	68
623	1800	1565	1230	800	640	500	420	430	561 - 586	125	335	415	805	495	8	169	68

	Model	Order No.	Dimensions (mm)	Alpine White (I)	Sanitary Colours (II, III)	Coord. Colours (IV)	EUR
DYNA SET	624	2266 0001 xxxx	1500 x 750 x 420	1,050.00	1,363.00	1,363.00	
	626	2268 0001 xxxx	1600 x 700 x 420	1,050.00	1,363.00	1,363.00	
	620	2261 0001 xxxx	1700 x 750 x 420	1,050.00	1,363.00	1,363.00	
	622	2264 0001 xxxx	1800 x 800 x 420	1,206.00	1,568.00	1,568.00	
DYNA SET STAR for mounting grips, grips subject to surcharge	625	2267 0001 xxxx	1500 x 750 x 420	1,050.00	1,363.00	1,363.00	
	627	2269 0001 xxxx	1600 x 700 x 420	1,050.00	1,363.00	1,363.00	
	621	2262 0001 xxxx	1700 x 750 x 420	1,050.00	1,363.00	1,363.00	
	623	2265 0001 xxxx	1800 x 800 x 420	1,206.00	1,568.00	1,568.00	

OPTIONAL: SURFACE FINISHES	Model	Order No.	Price	Alpine White (I)	Sanitary Colours (II, III)	Coord. Colours (IV)
INVISIBLE GRIP Almost invisible slip resistance on the standing surface. Cannot be combined with easy-clean finish		xxxxxxx1xxx		167.50		
Easy-clean finish		xxxxxxx3xxx		94.00	94.00	
Full anti-slip				191.00	191.00	
Partial anti-slip				101.00	101.00	

OPTIONAL: INFLOW/OUTFLOW TECHNOLOGY^{•1}	Model	Order No.	Price	Alpine White (I)	Sanitary Colours (II, III)	Coord. Colours (IV)
COMFORT LEVEL standard	KA 4001					
alpine white		6877 7248 0001		193.00		
alpine white matt		6877 7233 0711				211.50
black matt 100		6877 7233 0676				211.50
chrome		6877 7233 0999	193.00			
COMFORT LEVEL PLUS standard with integrated filling function	KA 4011					
alpine white		6877 7250 0001		476.00		
alpine white matt		6877 7237 0711				522.00
black matt 100		6877 7237 0676				522.00
chrome		6877 7237 0999	476.00			
Waste and overflow fitting standard chrome	4077	6877 7140 0999	86.50			

OPTIONAL: INSTALLATION^{•1}	Model	Order No.	Price	Alpine White (I)	Sanitary Colours (II, III)	Coord. Colours (IV)
Bathtub installation set includes everything for professional installation including universal waste and overflow set and bath pedestal 5030/5032	BIS 5041	6876 7649 0000	234.00			
Bathtub installation set includes everything for professional installation including bath pedestal 5030/5032	BIS 5043	6876 7651 0000	162.00			
Pedestal ALLROUND 5030		5814 7000 0000	47.00			
Wall anchor		6876 7513 0000	25.50			
DYNA SET STAR grips		5911 7000 0999	139.00			
Sealing kit FLEX		6897 2052 0000	51.50			
Bath Sound absorbing set		6876 7573 0000	47.00			
Installation tape WES 130 For sound insulation and separation between the bottom edge of the product and the brickwork		6876 7654 0000	15.50			

OPTIONAL: SOUND SYSTEM^{•1}	Model	Order No.	Price	Alpine White (I)	Sanitary Colours (II, III)	Coord. Colours (IV)
SOUND WAVE SOUND WAVE can be used with all KALDEWEI bathtubs, except models with polystyrene support and whirl systems!	6802	5845 7613 0000	686.00			

PURO

PURO STAR



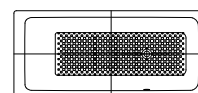
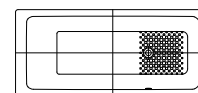
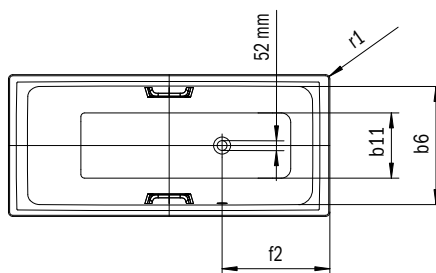
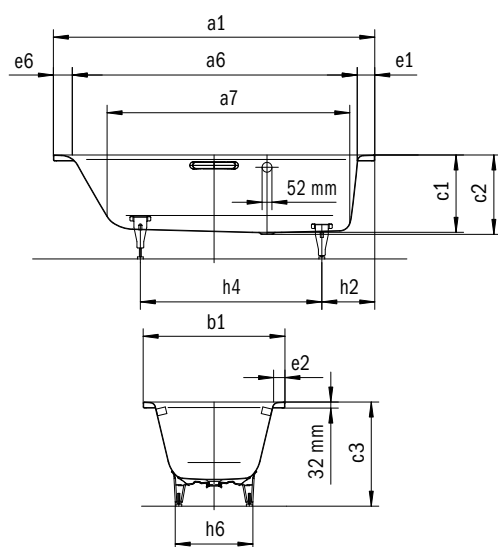
- Straight-lined, purist design
- Single-seat bath with waste positioned at the foot end
- Generous bathtub depth for comfortable bathing
- Flexible design options thanks to the perfect match with the PURO family
- Also available in selected sizes as a Limited Edition nature protect with a greatly reduced CO₂ footprint



GRIP ELEGANT PURISM

Similar illustration

PURO (STAR)	ALPINE WHITE	BAHAMABEIGE	MANHATTAN	PERGAMON	BLACK	COORDINATED COLOURS	ALPINE WHITE MATT	WARM BEIGE 20	WARM BEIGE 40	WARM GREY 10	WARM GREY 30	WARM GREY 50	WARM GREY 60	WARM GREY 70	WARM GREY 80	WARM GREY 85	WARM GREY 90	COOL GREY 30	COOL GREY 40	COOL GREY 70	COOL GREY 80	COOL GREY 90	BLACK MATT 100
	001	SANITARY COLOURS 030	199	231	701	711																	



Model	External length [mm]	Internal length (top) [mm]	Internal length (bottom) [mm]	External width [mm]	Internal width (top) [mm]	Internal width (bottom) [mm]	Depth inside [mm]	Depth incl. waste hole [mm]	Height with feet [mm]	Width of rim (foot end; long side; head end) [mm]	Distance bath edge to centre of waste hole [mm]	Distance foot end of bath edge to centre of foot [mm]	Distance between the feet [mm]	Width of feet max. [mm]	External radius [mm]	Water volume [l]	Net weight [kg]
	a ₁	a ₆	a ₇	b ₁	b ₆	b ₁₁	c ₁	c ₂	c ₃	e ₁ ; e ₂ ; e ₆	f ₂	h ₂	h ₄	h ₆	r ₁		
683	1600	1410	1180	700	580	410	410	420	552 - 572	90; 60; 100	310	435	705	410	8	105	46
685	1600	1410	1180	700	580	410	410	420	552 - 572	90; 60; 100	310	435	705	410	8	105	46
687	1700	1510	1280	700	580	410	410	420	555 - 565	90; 60; 100	310	445	755	420	8	122	48
689	1700	1510	1280	700	580	410	410	420	555 - 565	90; 60; 100	310	445	755	420	8	122	48
652	1700	1510	1280	750	620	460	410	420	554 - 568	90; 60; 100	310	445	750	470	8	137	50
654	1700	1510	1280	750	620	460	410	420	554 - 568	90; 60; 100	310	445	750	470	8	137	50
691	1700	1510	1280	800	630	460	410	420	552 - 565	90; 85; 100	310	445	755	480	23	141	52
693	1700	1510	1280	800	630	460	410	420	552 - 565	90; 85; 100	310	445	755	480	23	141	52
653	1800	1610	1380	800	670	510	410	420	553 - 563	90; 60; 100	310	460	820	520	8	170	57
655	1800	1610	1380	800	670	510	410	420	553 - 563	90; 60; 100	310	460	820	520	8	170	54
696	1900	1710	1480	900	770	615	410	420	546 - 554	90; 65; 100	310	395	945	630	23	232	65
698	1900	1710	1480	900	770	615	410	420	546 - 554	90; 65; 100	310	395	945	630	23	232	65

	Model	Order No.	Dimensions (mm)	Alpine White (I)	Sanitary Colours (II, III)	EUR Coord. Colours (IV)
PURO	683	2583 0001 xxxx	1600 x 700 x 410	830.00	1,079.00	1,079.00
	687	2587 0001 xxxx	1700 x 700 x 410	830.00	1,079.00	1,079.00
	652	2562 0001 xxxx	1700 x 750 x 410	789.00	1,025.00	1,025.00
	691	2591 0001 xxxx	1700 x 800 x 410	917.00	1,190.00	1,190.00
	653	2563 0001 xxxx	1800 x 800 x 410	881.00	1,143.00	1,143.00
	696	2596 0001 xxxx	1900 x 900 x 410	1,367.00	1,777.00	1,777.00
PURO Limited Edition nature protect made from CO ₂ -reduced steel	652NP	2562 0003 xxxx	1700 x 750 x 410	1,000.50	1,236.50	1,236.50
	653NP	2563 0003 xxxx	1800 x 800 x 410	1,092.50	1,354.50	1,354.50
PURO STAR for mounting grips, grips subject to surcharge	685	2585 0001 xxxx	1600 x 700 x 410	830.00	1,079.00	1,079.00
	689	2589 0001 xxxx	1700 x 700 x 410	830.00	1,079.00	1,079.00
	654	2554 0001 xxxx	1700 x 750 x 410	789.00	1,025.00	1,025.00
	693	2595 0001 xxxx	1700 x 800 x 410	917.00	1,190.00	1,190.00
	655	2555 0001 xxxx	1800 x 800 x 410	881.00	1,143.00	1,143.00
	698	2598 0001 xxxx	1900 x 900 x 410	1,367.00	1,777.00	1,777.00

OPTIONAL: SURFACE FINISHES	Model	Order No.	Price	Alpine White (I)	Sanitary Colours (II, III)	Coord. Colours (IV)
INVISIBLE GRIP Almost invisible slip resistance on the standing surface. Cannot be combined with easy-clean finish		xxxxxxx1xxx		167.50		
Easy-clean finish		xxxxxxx3xxx		94.00	94.00	
Full anti-slip				191.00	191.00	
Partial anti-slip				101.00	101.00	

OPTIONAL: INFLOW/OUTFLOW TECHNOLOGY^{•1}	Model	Order No.	Price	Alpine White (I)	Sanitary Colours (II, III)	Coord. Colours (IV)
COMFORT LEVEL standard	KA 4001					
alpine white		6877 7248 0001		193.00		
alpine white matt		6877 7233 0711				211.50
black matt 100		6877 7233 0676				211.50
chrome		6877 7233 0999	193.00			
COMFORT LEVEL PLUS standard with integrated filling function	KA 4011					
alpine white		6877 7250 0001		476.00		
alpine white matt		6877 7237 0711				522.00
black matt 100		6877 7237 0676				522.00
chrome		6877 7237 0999	476.00			
Waste and overflow fitting standard	4077	6877 7140 0999	86.50			
chrome						

OPTIONAL: INSTALLATION^{•1}	Model	Order No.	Price	Alpine White (I)	Sanitary Colours (II, III)	Coord. Colours (IV)
Bathtub installation set includes everything for professional installation including universal waste and overflow set and bath pedestal 5037	BIS 5042	6876 7650 0000	252.00			
Bathtub installation set includes everything for professional installation including bath pedestal 5037	BIS 5044	6876 7652 0000	180.00			
Special pedestal Mod.5037		5831 7000 0000	67.00			
Wall anchor		6876 7513 0000	25.50			

OPTIONAL: INSTALLATION •¹	Model	Order No.	Price	Alpine White (I)	Sanitary Colours (II, III)	Coord. Colours (IV)
Grip ELEGANT PURISM Type A (2 grips), chrome		5908 7000 0999	339.00			
Sealing kit FLEX		6897 2052 0000	51.50			
Bath Sound absorbing set		6876 7573 0000	47.00			
Installation tape WES 130 For sound insulation and separation between the bottom edge of the product and the brickwork		6876 7654 0000	15.50			

OPTIONAL: SOUND SYSTEM •¹	Model	Order No.	Price	Alpine White (I)	Sanitary Colours (II, III)	Coord. Colours (IV)
SOUND WAVE SOUND WAVE can be used with all KALDEWEI bathtubs, except models with polystyrene support and whirl systems!	6802	5845 7613 0000	686.00			



PURO WITH SIDE OVERFLOW



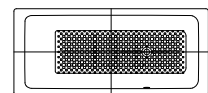
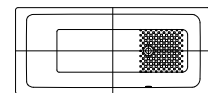
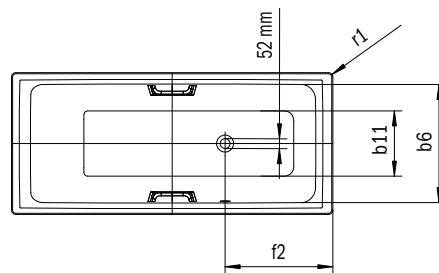
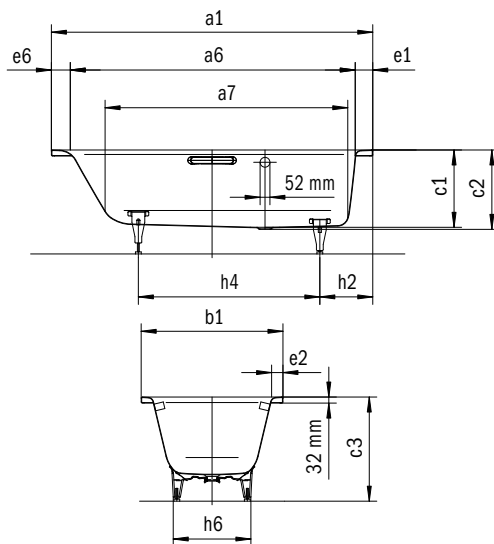
- Straight-lined, purist design
- One-seater bath with waste at foot end
- Combi-bath suitable for bathing and showering
- Shower area with large standing area due to steep side walls
- Generous bathtub depth for comfortable bathing
- Flexible design options thanks to the perfect match with the PURO family



GRIP ELEGANT PURISM

Similar illustration

PURO	ALPINE WHITE	BAHAMABEIGE	MANHATTAN	PERGAMON	BLACK	COORDINATED COLOURS	ALPINE WHITE MATT	WARM BEIGE 20	WARM BEIGE 40	WARM GREY 10	WARM GREY 30	WARM GREY 50	WARM GREY 60	WARM GREY 70	WARM GREY 80	WARM GREY 85	WARM GREY 90	COOL GREY 30	COOL GREY 40	COOL GREY 70	COOL GREY 80	COOL GREY 90	BLACK MATT 100
	001	SANITARY COLOURS 030	199	231	701	711																	



Model	External length [mm]	Internal length (top) [mm]	Internal length (bottom) [mm]	External width [mm]	Internal width (top) [mm]	Internal width (bottom) [mm]	Depth inside [mm]	Depth incl. waste hole [mm]	Height with feet [mm]	Width of rim (foot end; long side; head end) [mm]	Distance bath edge to centre of waste hole [mm]	Distance foot end of bath edge to centre of foot [mm]	Distance between the feet [mm]	Width of feet max. [mm]	External radius [mm]	Water volume [l]	Net weight [kg]
	a ₁	a ₆	a ₇	b ₁	b ₆	b ₁₁	c ₁	c ₂	c ₃	e ₁ ; e ₂ ; e ₆	f ₂	h ₂	h ₄	h ₆	r ₁		
684	1600	1410	1180	700	580	410	410	420	552 - 572	90; 60; 100	570	435	705	410	8	105	45
686	1600	1410	1180	700	580	410	410	420	552 - 572	90; 60; 100	570	435	705	410	8	105	45
688	1700	1510	1280	700	580	410	410	420	555 - 565	90; 60; 100	570	445	750	420	8	121	48
690	1700	1510	1280	700	580	410	410	420	555 - 565	90; 60; 100	570	445	750	420	8	121	48
656	1700	1510	1280	750	630	460	410	420	553 - 573	90; 60; 100	570	445	750	445	8	137	51
658	1700	1510	1280	750	630	460	410	420	553 - 573	90; 60; 100	570	445	750	445	8	137	51
692	1700	1510	1280	800	630	460	410	420	555 - 565	90; 85; 100	570	445	750	480	23	140	53
694	1700	1510	1280	800	630	460	410	420	555 - 565	90; 85; 100	570	445	750	480	23	140	53
657	1800	1610	1380	800	680	510	410	420	551 - 571	90; 60; 100	570	460	820	485	8	170	57
659	1800	1610	1380	800	680	510	410	420	551 - 571	90; 60; 100	570	460	820	485	8	170	57
697	1900	1710	1480	900	770	615	410	420	547 - 560	90; 65; 100	570	395	945	625	23	230	65
699	1900	1710	1480	900	770	615	410	420	547 - 560	90; 65; 100	570	395	945	625	23	230	65

	Model	Order No.	Dimensions (mm)	Alpine White (I)	Sanitary Colours (II, III)	EUR Coord. Colours (IV)
PURO STAR WITH SIDE OVERFLOW	686	2586 0001 xxxx	1600 x 700 x 410	830.00	1,079.00	1,079.00
for mounting grips, grips subject to surcharge	690	2590 0001 xxxx	1700 x 700 x 410	830.00	1,079.00	1,079.00
	658	2558 0001 xxxx	1700 x 750 x 410	789.00	1,025.00	1,025.00
	694	2594 0001 xxxx	1700 x 800 x 410	1,059.00	1,376.00	1,376.00
	659	2559 0001 xxxx	1800 x 800 x 410	881.00	1,143.00	1,143.00
	699	2599 0001 xxxx	1900 x 900 x 410	1,494.00	1,943.00	1,943.00
PURO WITH SIDE OVERFLOW	684	2584 0001 xxxx	1600 x 700 x 410	830.00	1,079.00	1,079.00
	688	2588 0001 xxxx	1700 x 700 x 410	830.00	1,079.00	1,079.00
	656	2566 0001 xxxx	1700 x 750 x 410	789.00	1,025.00	1,025.00
	692	2592 0001 xxxx	1700 x 800 x 410	1,059.00	1,376.00	1,376.00
	657	2567 0001 xxxx	1800 x 800 x 410	881.00	1,143.00	1,143.00
	697	2597 0001 xxxx	1900 x 900 x 410	1,494.00	1,943.00	1,943.00
Design with opposite overflow available		xxxx 2300 xxxx		without extra charge	without extra charge	without extra charge

OPTIONAL: SURFACE FINISHES	Model	Order No.	Price	Alpine White (I)	Sanitary Colours (II, III)	Coord. Colours (IV)
INVISIBLE GRIP		xxxxxxxx1xxx		167.50		
Almost invisible slip resistance on the standing surface. Cannot be combined with easy-clean finish						
Easy-clean finish		xxxxxxxx3xxx		94.00	94.00	
Full anti-slip				191.00	191.00	
Partial anti-slip				101.00	101.00	

OPTIONAL: INFLOW/OUTFLOW TECHNOLOGY^{•1}	Model	Order No.	Price	Alpine White (I)	Sanitary Colours (II, III)	Coord. Colours (IV)
COMFORT LEVEL extended	KA 4002					
alpine white		6877 7249 0001		228.00		
alpine white matt		6877 7234 0711				251.00
black matt 100		6877 7234 0676				251.00
chrome		6877 7234 0999	228.00			
COMFORT LEVEL PLUS extended	KA 4012					
with integrated filling function						
alpine white		6877 7251 0001		537.00		
alpine white matt		6877 7238 0711				591.00
black matt 100		6877 7238 0676				591.00
chrome		6877 7238 0999	537.00			
Waste and overflow fitting extended	4078	6877 7141 0999	92.00			
chrome						

OPTIONAL: INSTALLATION^{•1}	Model	Order No.	Price	Alpine White (I)	Sanitary Colours (II, III)	Coord. Colours (IV)
Bath tub installation set	BIS 5042	6876 7650 0000	252.00			
includes everything for professional installation including universal waste and overflow set and bath pedestal 5037						
Bath tub installation set	BIS 5044	6876 7652 0000	180.00			
includes everything for professional installation including bath pedestal 5037						

OPTIONAL: INSTALLATION •¹	Model	Order No.	Price	Alpine White (I)	Sanitary Colours (II, III)	Coord. Colours (IV)
Special pedestal Mod.5037		5831 7000 0000	67.00			
Wall anchor		6876 7513 0000	25.50			
Grip ELEGANT PURISM Type A (2 grips), chrome		5908 7000 0999	339.00			
Sealing kit FLEX		6897 2052 0000	51.50			
Bath Sound absorbing set		6876 7573 0000	47.00			
Installation tape WES 130 For sound insulation and separation between the bottom edge of the product and the brickwork		6876 7654 0000	15.50			

OPTIONAL: SOUND SYSTEM •¹	Model	Order No.	Price	Alpine White (I)	Sanitary Colours (II, III)	Coord. Colours (IV)
SOUND WAVE SOUND WAVE can be used with all KALDEWEI bathtubs, except models with polystyrene support and whirl systems!	6802	5845 7613 0000	686.00			



PURO DUO

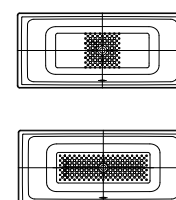
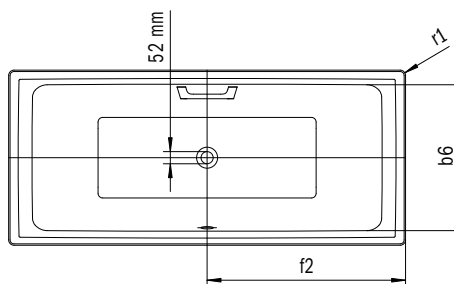
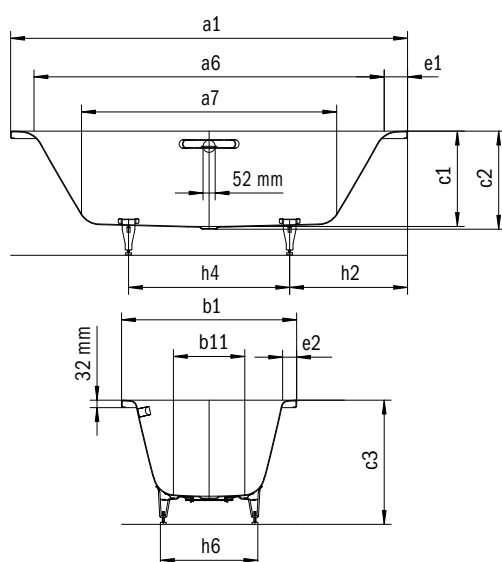
- Straight-lined, purist design
- Classic four-cornered model
- Flexible design options thanks to the perfect match with the PURO family
- Bathing with a friend: two identical back rests and centrally positioned waste
- Also available in selected sizes as a Limited Edition nature protect with a greatly reduced CO₂ footprint



GRIP ELEGANT PURISM

Similar illustration

PURO DUO	ALPINE WHITE	BAHAMABEIGE	MANHATTAN	PERGAMON	BLACK	COORDINATED COLOURS	ALPINE WHITE MATT	WARM BEIGE 20	WARM BEIGE 40	WARM GREY 10	WARM GREY 30	WARM GREY 50	WARM GREY 60	WARM GREY 70	WARM GREY 80	WARM GREY 85	WARM GREY 90	COOL GREY 30	COOL GREY 40	COOL GREY 70	COOL GREY 80	COOL GREY 90	BLACK MATT 100
	001	SANITARY COLOURS 030	199	231	701	711																	



Model	External length [mm]	Internal length (top) [mm]	Internal length (bottom) [mm]	External width [mm]	Internal width (top) [mm]	Internal width (bottom) [mm]	Depth inside [mm]	Depth incl. waste hole [mm]	Height with feet [mm]	Width of rim (foot end; long side) [mm]	Distance bath edge to centre of waste hole [mm]	Distance foot end of bath edge to centre of foot [mm]	Distance between the feet [mm]	Width of feet max. [mm]	External radius [mm]	Water volume [l]	Net weight [kg]
	a ₁	a ₆	a ₇	b ₁	b ₆	b ₁₁	c ₁	c ₂	c ₃	e ₁ ; e ₂	f ₂	h ₂	h ₄	h ₆	r ₁		
663	1700	1500	1130	750	630	460	410	420	540 - 575	100; 60	850	545	605	465	8	122	48
664	1800	1600	1230	800	680	510	410	420	545 - 572	100; 60	900	535	730	510	8	165	54
665	1900	1700	1330	900	780	615	410	420	540 - 575	100; 60	950	585	730	605	23	217	61

	Model	Order No.	Dimensions (mm)	Alpine White (I)	Sanitary Colours (II, III)	EUR Coord. Colours (IV)
PURO DUO	663	2663 0001 xxxx	1700 x 750 x 410	1,077.00	1,399.00	1,399.00
	664	2664 0001 xxxx	1800 x 800 x 410	1,122.00	1,458.00	1,458.00
	665	2665 0001 xxxx	1900 x 900 x 410	1,579.00	2,052.00	2,052.00
PURO DUO Limited Edition nature protect made from CO ₂ -reduced steel	664NP	2664 0003 xxxx	1800 x 800 x 410	1,333.50	1,669.50	1,669.50
Model with grip holes on one side available		xxxx 1011 xxxx		without extra charge	without extra charge	without extra charge

OPTIONAL: SURFACE FINISHES	Model	Order No.	Price	Alpine White (I)	Sanitary Colours (II, III)	Coord. Colours (IV)
INVISIBLE GRIP Almost invisible slip resistance on the standing surface. Cannot be combined with easy-clean finish		xxxxxxxx1xxx		167.50		
Easy-clean finish		xxxxxxxx3xxx		94.00	94.00	
Full anti-slip				191.00	191.00	
Partial anti-slip				101.00	101.00	

OPTIONAL: INFLOW/OUTFLOW TECHNOLOGY^{•1}	Model	Order No.	Price	Alpine White (I)	Sanitary Colours (II, III)	Coord. Colours (IV)
COMFORT LEVEL extended	KA 4002					
alpine white		6877 7249 0001		228.00		
alpine white matt		6877 7234 0711				251.00
black matt 100		6877 7234 0676				251.00
chrome		6877 7234 0999	228.00			
COMFORT LEVEL PLUS extended with integrated filling function	KA 4012					
alpine white		6877 7251 0001		537.00		
alpine white matt		6877 7238 0711				591.00
black matt 100		6877 7238 0676				591.00
chrome		6877 7238 0999	537.00			
Waste and overflow fitting extended chrome	4078	6877 7141 0999	92.00			

OPTIONAL: INSTALLATION^{•1}	Model	Order No.	Price	Alpine White (I)	Sanitary Colours (II, III)	Coord. Colours (IV)
Bathtub installation set includes everything for professional installation including universal waste and overflow set and bath pedestal 5037	BIS 5042	6876 7650 0000	252.00			
Bathtub installation set includes everything for professional installation including bath pedestal 5037	BIS 5044	6876 7652 0000	180.00			
Special pedestal Mod.5037		5831 7000 0000	67.00			
Wall anchor		6876 7513 0000	25.50			
Grip ELEGANT PURISM Type B (1 grip), chrome		5909 7000 0999	227.00			
Sealing kit FLEX		6897 2052 0000	51.50			
Bath Sound absorbing set		6876 7573 0000	47.00			
Installation tape WES 130 For sound insulation and separation between the bottom edge of the product and the brickwork		6876 7654 0000	15.50			

OPTIONAL: SOUND SYSTEM^{•1}	Model	Order No.	Price	Alpine White (I)	Sanitary Colours (II, III)	Coord. Colours (IV)
SOUND WAVE SOUND WAVE can be used with all KALDEWEI bathtubs, except models with polystyrene support and whirl systems!	6802	5845 7613 0000	686.00			

PURO SET WIDE LEFT

- The unique bathtub combines puristic design with high user comfort and contemporary low water consumption
- The waste placed in the middle ensures a harmoniously symmetrical appearance and a highly comfortable shower zone
- The reduced depth of the bathtub enables easy entry and getting out and economical water consumption when bathing
- Flexible design options thanks to the perfect match with the PURO family
- Wide bathtub rims as a place to put things



SOUND WAVE

SKIN TOUCH

WHIRL

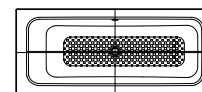
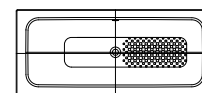
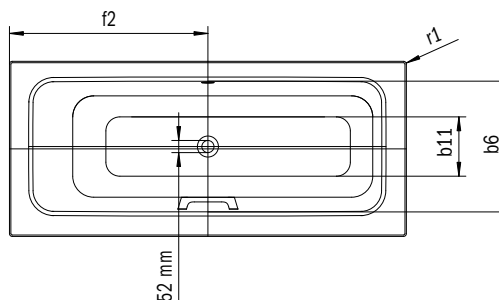
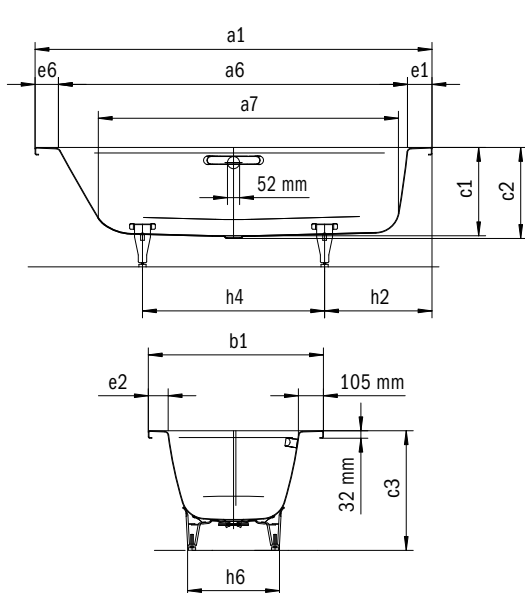
INVISIBLE GRIP



GRIP ELEGANT PURISM

Similar illustration

PURO SET WIDE	ALPINE WHITE	SANITARY COLOURS				COORDINATED COLOURS															
	001	BAHAMABEIGE 030	MANHATTAN 199	PERGAMON 231	BLACK 701	ALPINE WHITE MATT 711	WARM BEIGE 20	WARM BEIGE 40	WARM GREY 10	WARM GREY 30	WARM GREY 50	WARM GREY 60	WARM GREY 70	WARM GREY 80	WARM GREY 85	WARM GREY 90	COOL GREY 30	COOL GREY 40	COOL GREY 70	COOL GREY 80	COOL GREY 90



Model	External length [mm]	Internal length (top) [mm]	Internal length (bottom) [mm]	External width [mm]	Internal width (top) [mm]	Internal width (bottom) [mm]	Depth inside [mm]	Depth incl. waste hole [mm]	Height with feet [mm]	Width of rim (foot end; long side; head end) [mm]	Distance bath edge to centre of waste hole [mm]	Distance foot end of bath edge to centre of foot [mm]	Distance between the feet [mm]	Width of feet max. [mm]	External radius [mm]	Water volume [l]	Net weight [kg]
668	a ₁	a ₆	a ₇	b ₁	b ₆	b ₁₁	c ₁	c ₂	c ₃	e ₁ ; e ₂ ; e ₆	f ₂	h ₂	h ₄	h ₆	r ₁	93	50
668	1700	1495	1300	750	560	435	380	390	520 - 553	105; 85; 100	850	398	754	393	12	93	50

	Model	Order No.	Dimensions (mm)	Alpine White (I)	Sanitary Colours (II, III)	Coord. Colours (IV)	EUR
PURO SET WIDE LEFT	668	2611 10001 xxxx	1700 x 750 x 380	1,048.00	1,361.00	1,361.00	
Model with grip holes on one side available		xxxx 1011 xxxx		without extra charge	without extra charge	without extra charge	

OPTIONAL: SURFACE FINISHES	Model	Order No.	Price	Alpine White (I)	Sanitary Colours (II, III)	Coord. Colours (IV)
INVISIBLE GRIP Almost invisible slip resistance on the standing surface. Cannot be combined with easy-clean finish		xxxxxxx1xxx		167.50		
Easy-clean finish		xxxxxxx3xxx		94.00	94.00	
Full anti-slip				191.00	191.00	
Partial anti-slip				101.00	101.00	

OPTIONAL: INFLOW/OUTFLOW TECHNOLOGY^{•1}	Model	Order No.	Price	Alpine White (I)	Sanitary Colours (II, III)	Coord. Colours (IV)
COMFORT LEVEL extended	KA 4002					
alpine white		6877 7249 0001		228.00		
alpine white matt		6877 7234 0711				251.00
black matt 100		6877 7234 0676				251.00
chrome		6877 7234 0999	228.00			
COMFORT LEVEL PLUS extended with integrated filling function	KA 4012					
alpine white		6877 7251 0001		537.00		
alpine white matt		6877 7238 0711				591.00
black matt 100		6877 7238 0676				591.00
chrome		6877 7238 0999	537.00			
Waste and overflow fitting extended	4078	6877 7141 0999	92.00			
chrome						

OPTIONAL: INSTALLATION^{•1}	Model	Order No.	Price	Alpine White (I)	Sanitary Colours (II, III)	Coord. Colours (IV)
Bathtub installation set includes everything for professional installation including universal waste and overflow set and bath pedestal 5037	BIS 5042	6876 7650 0000	252.00			
Bathtub installation set includes everything for professional installation including bath pedestal 5037	BIS 5044	6876 7652 0000	180.00			
Special pedestal Mod.5037		5831 7000 0000	67.00			
Wall anchor		6876 7513 0000	25.50			
Grip ELEGANT PURISM Type B (1 grip), chrome		5909 7000 0999	227.00			
Sealing kit FLEX		6897 2052 0000	51.50			
Bath Sound absorbing set		6876 7573 0000	47.00			
Installation tape WES 130 For sound insulation and separation between the bottom edge of the product and the brickwork		6876 7654 0000	15.50			

OPTIONAL: SOUND SYSTEM^{•1}	Model	Order No.	Price	Alpine White (I)	Sanitary Colours (II, III)	Coord. Colours (IV)
SOUND WAVE SOUND WAVE can be used with all KALDEWEI bathtubs, except models with polystyrene support and whirl systems!	6802	5845 7613 0000	686.00			

PURO SET WIDE RIGHT

- The unique bathtub combines puristic design with high user comfort and contemporary low water consumption
- The waste placed in the middle ensures a harmoniously symmetrical appearance and a highly comfortable shower zone
- The reduced depth of the bathtub enables easy entry and getting out and economical water consumption when bathing
- Flexible design options thanks to the perfect match with the PURO family
- Wide bathtub rims as a place to put things



SOUND WAVE

SKIN TOUCH

WHIRL

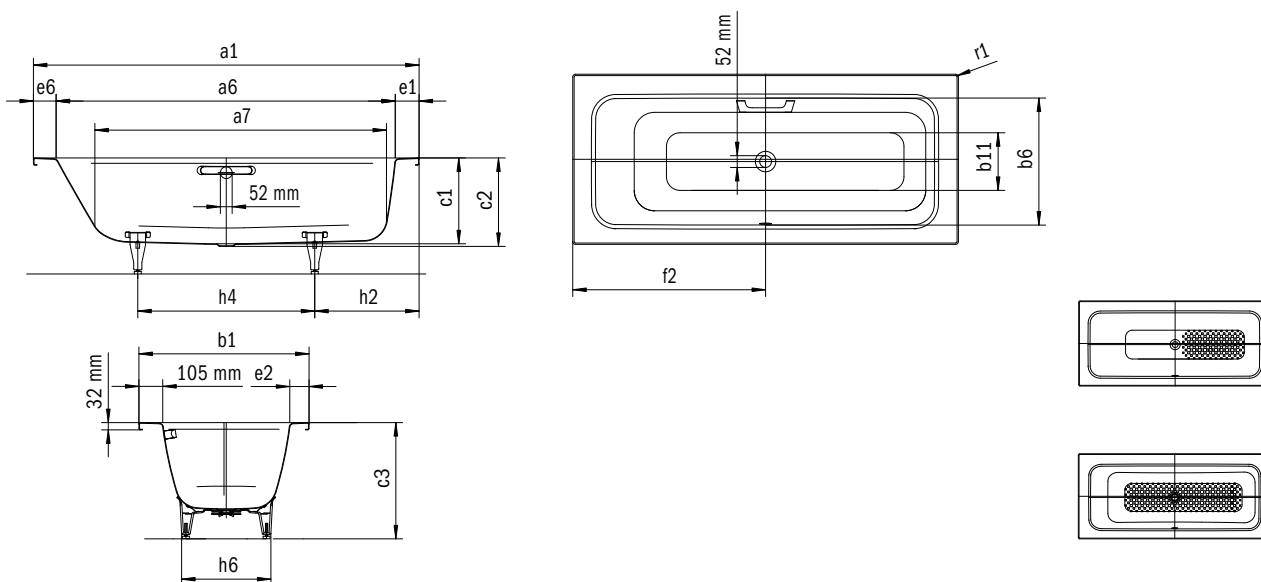
INVISIBLE GRIP



GRIP ELEGANT PURISM

Similar illustration

PURO SET WIDE	ALPINE WHITE	SANITARY COLOURS				COORDINATED COLOURS				ALPINE WHITE MATT										
	001	BAHAMABEIGE 030	MANHATTAN 199	PERGAMON 231	BLACK 701	WARM BEIGE 20	WARM BEIGE 40	WARM GREY 10	WARM GREY 30	WARM GREY 50	WARM GREY 60	WARM GREY 70	WARM GREY 80	WARM GREY 85	WARM GREY 90	COOL GREY 30	COOL GREY 40	COOL GREY 70	COOL GREY 80	COOL GREY 90



Model	External length [mm]	Internal length (top) [mm]	Internal length (bottom) [mm]	External width [mm]	Internal width (top) [mm]	Internal width (bottom) [mm]	Depth inside [mm]	Depth incl. waste hole [mm]	Height with feet [mm]	Width of rim (foot end; long side; head end) [mm]	Distance bath edge to centre of waste hole [mm]	Distance foot end of bath edge to centre of foot [mm]	Distance between the feet [mm]	Width of feet max. [mm]	External radius [mm]	Water volume [l]	Net weight [kg]
667	a ₁	a ₆	a ₇	b ₁	b ₆	b ₁₁	c ₁	c ₂	c ₃	e ₁ ; e ₂ ; e ₆	f ₂	h ₂	h ₄	h ₆	r ₁		
667	1700	1495	1300	750	560	435	380	390	520 - 553	105; 85; 100	850	398	754	393	12	93	50

	Model	Order No.	Dimensions (mm)	Alpine White (I)	Sanitary Colours (II, III)	Coord. Colours (IV)	EUR
PURO SET WIDE RIGHT	667	2610 0001 xxxx	1700 x 750 x 380	1,048.00	1,361.00	1,361.00	
Model with grip holes on one side available		xxxx 1011 xxxx		without extra charge	without extra charge	without extra charge	

OPTIONAL: SURFACE FINISHES	Model	Order No.	Price	Alpine White (I)	Sanitary Colours (II, III)	Coord. Colours (IV)
INVISIBLE GRIP Almost invisible slip resistance on the standing surface. Cannot be combined with easy-clean finish		xxxxxxx1xxx		167.50		
Easy-clean finish		xxxxxxx3xxx		94.00	94.00	
Full anti-slip				191.00	191.00	
Partial anti-slip				101.00	101.00	

OPTIONAL: INFLOW/OUTFLOW TECHNOLOGY^{•1}	Model	Order No.	Price	Alpine White (I)	Sanitary Colours (II, III)	Coord. Colours (IV)
COMFORT LEVEL extended	KA 4002					
alpine white		6877 7249 0001		228.00		
alpine white matt		6877 7234 0711				251.00
black matt 100		6877 7234 0676				251.00
chrome		6877 7234 0999	228.00			
COMFORT LEVEL PLUS extended with integrated filling function	KA 4012					
alpine white		6877 7251 0001		537.00		
alpine white matt		6877 7238 0711				591.00
black matt 100		6877 7238 0676				591.00
chrome		6877 7238 0999	537.00			
Waste and overflow fitting extended	4078	6877 7141 0999	92.00			
chrome						

OPTIONAL: INSTALLATION^{•1}	Model	Order No.	Price	Alpine White (I)	Sanitary Colours (II, III)	Coord. Colours (IV)
Bathtub installation set includes everything for professional installation including universal waste and overflow set and bath pedestal 5037	BIS 5042	6876 7650 0000	252.00			
Bathtub installation set includes everything for professional installation including bath pedestal 5037	BIS 5044	6876 7652 0000	180.00			
Special pedestal Mod.5037		5831 7000 0000	67.00			
Wall anchor		6876 7513 0000	25.50			
Grip ELEGANT PURISM Type B (1 grip), chrome		5909 7000 0999	227.00			
Sealing kit FLEX		6897 2052 0000	51.50			
Bath Sound absorbing set		6876 7573 0000	47.00			
Installation tape WES 130 For sound insulation and separation between the bottom edge of the product and the brickwork		6876 7654 0000	15.50			

OPTIONAL: SOUND SYSTEM^{•1}	Model	Order No.	Price	Alpine White (I)	Sanitary Colours (II, III)	Coord. Colours (IV)
SOUND WAVE SOUND WAVE can be used with all KALDEWEI bathtubs, except models with polystyrene support and whirl systems!	6802	5845 7613 0000	686.00			

SILENIO

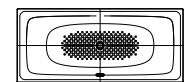
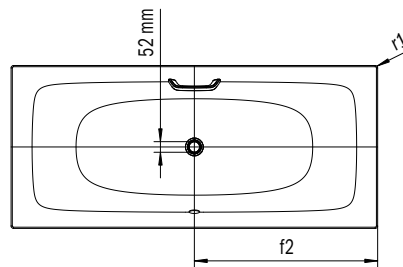
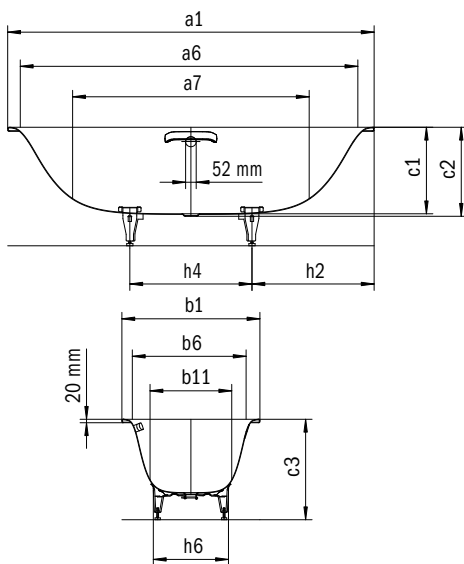
- Flowing form integrates harmoniously in your bathroom
- Its ergonomically fluid interior is designed for relaxed bathing
- Also available with grip on one side
- Bathing with a friend: two identical back rests and centrally positioned waste
- Designed by Anke Salomon



GRIP DISCREET OPULENCE

Similar illustration

SILENIO	ALPINE WHITE	SANITARY COLOURS				COORDINATED COLOURS															
	001	BAHAMABEIGE 030	MANHATTAN 199	PERGAMON 231	BLACK 701	ALPINE WHITE MATT 711	WARM BEIGE 20 661	WARM BEIGE 40 668	WARM GREY 10 668	WARM GREY 30 668	WARM GREY 50 668	WARM GREY 60 671	WARM GREY 70 668	WARM GREY 80 668	WARM GREY 85 668	WARM GREY 90 668	COOL GREY 30 663	COOL GREY 40 663	COOL GREY 70 665	COOL GREY 80 665	COOL GREY 90 667



Model	External length [mm]	Internal length (top) [mm]	Internal length (bottom) [mm]	External width [mm]	Internal width (top) [mm]	Internal width (bottom) [mm]	Depth inside [mm]	Depth incl. waste hole [mm]	Height with feet [mm]	Width of rim (foot end; long side; head end) [mm]	Distance bath edge to centre of waste hole [mm]	Distance foot end of bath edge to centre of foot [mm]	Distance between the feet [mm]	Width of feet max. [mm]	External radius [mm]	Water volume [l]	Net weight [kg]
	a ₁	a ₆	a ₇	b ₁	b ₆	b ₁₁	c ₁	c ₂	c ₃	e ₁ ; e ₂ ; e ₆	f ₂	h ₂	h ₄	h ₆	r ₁		
674	1700	1576	1112	750	626	423	400	410	544 - 583	-	850	566	568	340	12	96	44
676	1800	1676	1162	800	676	473	425	435	570 - 605	-	900	595	610	360	12	140	50
678	1900	1776	1262	900	776	537	425	435	565 - 602	-	950	591	718	430	12	188	56

	Model	Order No.	Dimensions (mm)	Alpine White (I)	Sanitary Colours (II, III)	Coord. Colours (IV)	EUR
SILENIO	674	2674 0001 xxxx	1700 x 750 x 400	1,097.00	1,426.00	1,426.00	
	676	2676 0001 xxxx	1800 x 800 x 425	1,151.00	1,496.00	1,496.00	
	678	2678 0001 xxxx	1900 x 900 x 425	1,599.00	2,079.00	2,079.00	
Model with grip holes on one side available		xxxx 1011 xxxx		without extra charge	without extra charge	without extra charge	

OPTIONAL: SURFACE FINISHES	Model	Order No.	Price	Alpine White (I)	Sanitary Colours (II, III)	Coord. Colours (IV)
INVISIBLE GRIP Almost invisible slip resistance on the standing surface. Cannot be combined with easy-clean finish		xxxxxxxx1xxx		167.50		
Easy-clean finish		xxxxxxxx3xxx		94.00	94.00	
Full anti-slip				191.00	191.00	

OPTIONAL: INFLOW/OUTFLOW TECHNOLOGY^{•1}	Model	Order No.	Price	Alpine White (I)	Sanitary Colours (II, III)	Coord. Colours (IV)
COMFORT LEVEL extended	KA 4002					
alpine white		6877 7249 0001		228.00		
alpine white matt		6877 7234 0711				251.00
black matt 100		6877 7234 0676				251.00
chrome		6877 7234 0999	228.00			
COMFORT LEVEL PLUS extended with integrated filling function	KA 4012					
alpine white		6877 7251 0001		537.00		
alpine white matt		6877 7238 0711				591.00
black matt 100		6877 7238 0676				591.00
chrome		6877 7238 0999	537.00			
Waste and overflow fitting extended chrome	4078	6877 7141 0999	92.00			

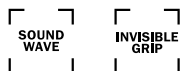
OPTIONAL: INSTALLATION^{•1}	Model	Order No.	Price	Alpine White (I)	Sanitary Colours (II, III)	Coord. Colours (IV)
Bathtub installation set includes everything for professional installation including universal waste and overflow set and bath pedestal 5037	BIS 5042	6876 7650 0000	252.00			
Bathtub installation set includes everything for professional installation including bath pedestal 5037	BIS 5044	6876 7652 0000	180.00			
Special pedestal Mod.5037		5831 7000 0000	67.00			
Wall anchor		6876 7513 0000	25.50			
Grip Discreet Opulence Type C (1 grip), chrome		5913 7000 0999	227.00			
Sealing kit FLEX		6897 2052 0000	51.50			
Bath Sound absorbing set		6876 7573 0000	47.00			
Installation tape WES 130 For sound insulation and separation between the bottom edge of the product and the brickwork		6876 7654 0000	15.50			

OPTIONAL: SOUND SYSTEM^{•1}	Model	Order No.	Price	Alpine White (I)	Sanitary Colours (II, III)	Coord. Colours (IV)
SOUND WAVE SOUND WAVE can be used with all KALDEWEI bathtubs, except models with polystyrene support and whirl systems!	6802	5845 7613 0000	686.00			

VAIO

VAIO STAR

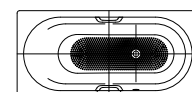
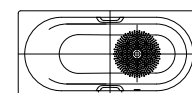
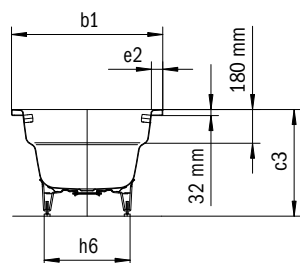
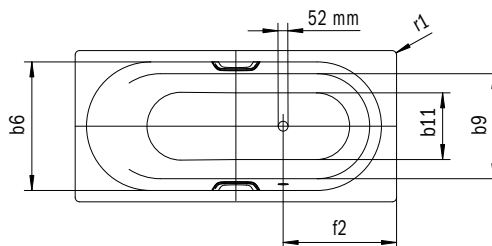
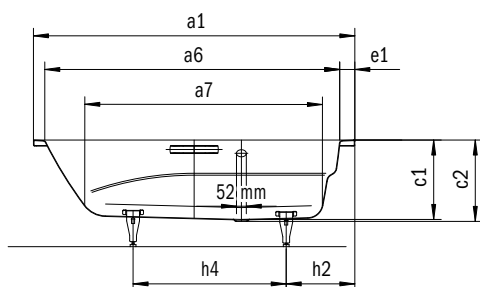
- Single-seat bathtub with side-positioned overflow and integrated armrests
- Combi-bath suitable for bathing and showering
- Generous bathtub depth for comfortable bathing
- Comfortable showering thanks to the specially shaped shower zone
- Also available with grips



GRIP DISCREET OPULENCE

Similar illustration

	ALPINE WHITE	BAHAMABEIGE	MANHATTAN	PERGAMON	BLACK	COORDINATED COLOURS	ALPINE WHITE MATT	WARM BEIGE 20	WARM BEIGE 40	WARM GREY 10	WARM GREY 30	WARM GREY 50	WARM GREY 60	WARM GREY 70	WARM GREY 80	WARM GREY 85	WARM GREY 90	COOL GREY 30	COOL GREY 40	COOL GREY 70	COOL GREY 80	COOL GREY 90	BLACK MATT 100	
VAIO (STAR)	001	030	199	231	701		711	661																



Model	External length [mm]	Internal length (top) [mm]	Internal length (bottom) [mm]	External width [mm]	Internal width (top) [mm]	Internal width (bottom) [mm]	Depth inside [mm]	Depth incl. waste hole [mm]	Height with feet [mm]	Width of rim (foot end; long side) [mm]	Distance bath edge to centre of waste hole [mm]	Distance foot end of bath edge to centre of foot [mm]	Distance between the feet [mm]	Width of feet max. [mm]	External radius [mm]	Water volume [l]	Net weight [kg]
	a ₁	a ₆	a ₇	b ₁	b ₆	b ₁₁	c ₁	c ₂	c ₃	e ₁ ; e ₂	f ₂	h ₂	h ₄	h ₆	r ₁		
960	1700	1560	1255	800	680	496	420	430	555 - 590	80; 60	600	443	670	445	23	145	50
961	1700	1560	1255	800	680	496	420	430	555 - 590	80; 60	600	443	670	445	23	145	50

	Model	Order No.	Dimensions (mm)	Alpine White (I)	Sanitary Colours (II, III)	EUR Coord. Colours (IV)
VAIO	960	2340 0001 xxxx	1700 x 800 x 420	945.00	1,228.00	1,228.00
VAIO STAR	961	2341 0001 xxxx	1700 x 800 x 420	945.00	1,228.00	1,228.00
for mounting grips, grips subject to surcharge						
Design with opposite overflow available		xxxx 2300 xxxx		without extra charge	without extra charge	without extra charge

OPTIONAL: SURFACE FINISHES	Model	Order No.	Price	Alpine White (I)	Sanitary Colours (II, III)	Coord. Colours (IV)
INVISIBLE GRIP		xxxx xxxx1 xxx		167.50		
Almost invisible slip resistance on the standing surface. Cannot be combined with easy-clean finish						
Easy-clean finish		xxxx xxxx3 xxx		94.00	94.00	
Full anti-slip				191.00	191.00	
Partial anti-slip				101.00	101.00	

OPTIONAL: INFLOW/OUTFLOW TECHNOLOGY•¹	Model	Order No.	Price	Alpine White (I)	Sanitary Colours (II, III)	Coord. Colours (IV)
COMFORT LEVEL extended	KA 4002					
alpine white		6877 7249 0001		228.00		
alpine white matt		6877 7234 0711				251.00
black matt 100		6877 7234 0676				251.00
chrome		6877 7234 0999	228.00			
Waste and overflow fitting extended	4078	6877 7141 0999	92.00			
chrome						

OPTIONAL: INSTALLATION•¹	Model	Order No.	Price	Alpine White (I)	Sanitary Colours (II, III)	Coord. Colours (IV)
Bath tub installation set	BIS 5041	6876 7649 0000	234.00			
includes everything for professional installation including universal waste and overflow set and bath pedestal 5030/5032						
Bath tub installation set	BIS 5043	6876 7651 0000	162.00			
includes everything for professional installation including bath pedestal 5030/5032						
Pedestal ALLROUND 5030		5814 7000 0000	47.00			
Wall anchor		6876 7513 0000	25.50			
Grip Discreet Opulence		5907 7000 0999	339.00			
Type B (2 grips), chrome						
Sealing kit FLEX		6897 2052 0000	51.50			
Bath Sound absorbing set		6876 7573 0000	47.00			
Installation tape WES 130		6876 7654 0000	15.50			
For sound insulation and separation between the bottom edge of the product and the brickwork						

OPTIONAL: SOUND SYSTEM•¹	Model	Order No.	Price	Alpine White (I)	Sanitary Colours (II, III)	Coord. Colours (IV)
SOUND WAVE	6802	5845 7613 0000	686.00			
SOUND WAVE can be used with all KALDEWEI bathtubs, except models with polystyrene support and whirl systems!						

VAIO DUO

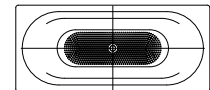
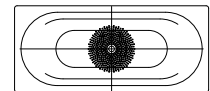
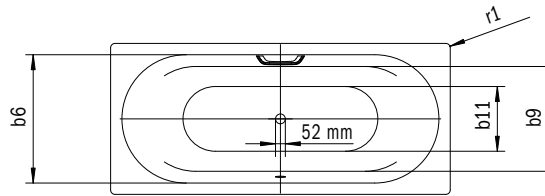
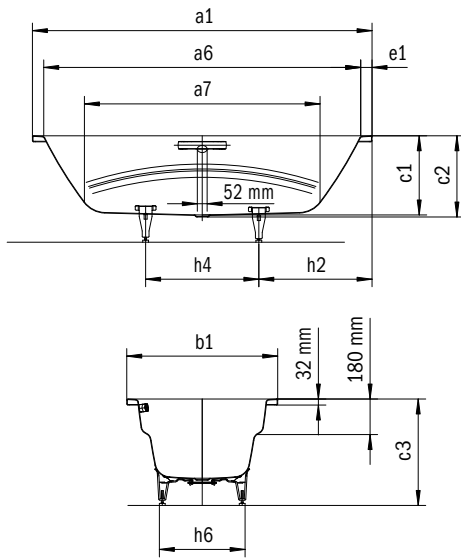
- Classic four-cornered model
- With integrated arm rests
- Bathing with a friend: two identical back rests and centrally positioned waste



GRIP DISCREET OPULENCE

Similar illustration

VAIO DUO	ALPINE WHITE 001	SANITARY COLOURS	BAHAMABEIGE 030	MANHATTAN 199	PERGAMON 231	BLACK 701	COORDINATED COLOURS	ALPINE WHITE MATT 711	WARM BEIGE 20 661	WARM BEIGE 40	WARM GREY 10	WARM GREY 30	WARM GREY 50	WARM GREY 60	WARM GREY 70	WARM GREY 80	WARM GREY 85	WARM GREY 90	COOL GREY 30	COOL GREY 40	COOL GREY 70	COOL GREY 80	COOL GREY 90	BLACK MATT 100
----------	---------------------	------------------	--------------------	------------------	-----------------	--------------	---------------------	--------------------------	----------------------	---------------	--------------	--------------	--------------	--------------	--------------	--------------	--------------	--------------	--------------	--------------	--------------	--------------	--------------	-------------------



Model	External length [mm]	Internal length (top) [mm]	Internal length (bottom) [mm]	External width [mm]	Internal width (top) [mm]	Internal width (bottom) [mm]	Depth inside [mm]	Depth incl. waste hole [mm]	Height with feet [mm]	Width of rim (foot end) [mm]	Distance bath edge to centre of waste hole [mm]	Distance foot end of bath edge to centre of foot [mm]	Distance between the feet [mm]	Width of feet max. [mm]	External radius [mm]	Water volume [l]	Net weight [kg]
950	a ₁	a ₆	a ₇	b ₁	b ₆	b ₁₁	c ₁	c ₂	c ₃	e ₁	f ₂	h ₂	h ₄	h ₆	r ₁		
950	1800	1680	1248	800	680	496	420	430	550 - 590	60	900	600	600	455	23	155	53

	Model	Order No.	Dimensions (mm)	Alpine White (I)	Sanitary Colours (II, III)	Coord. Colours (IV)	EUR
VAIO DUO	950	2330 0001 xxxx	1800 x 800 x 420	1,237.00	1,608.00	1,608.00	
Model with grip holes on one side available		xxxx 1011 xxxx		without extra charge	without extra charge	without extra charge	

OPTIONAL: SURFACE FINISHES	Model	Order No.	Price	Alpine White (I)	Sanitary Colours (II, III)	Coord. Colours (IV)
INVISIBLE GRIP Almost invisible slip resistance on the standing surface. Cannot be combined with easy-clean finish		xxxxxxx1xxx	167.50			
Easy-clean finish		xxxxxxx3xxx	94.00	94.00		
Full anti-slip			191.00	191.00		
Partial anti-slip			101.00	101.00		

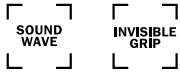
OPTIONAL: INFLOW/OUTFLOW TECHNOLOGY^{•1}	Model	Order No.	Price	Alpine White (I)	Sanitary Colours (II, III)	Coord. Colours (IV)
COMFORT LEVEL extended	KA 4002					
alpine white		6877 7249 0001	228.00			
alpine white matt		6877 7234 0711				251.00
black matt 100		6877 7234 0676				251.00
chrome		6877 7234 0999	228.00			
Waste and overflow fitting extended	4078	6877 7141 0999	92.00			
chrome						

OPTIONAL: INSTALLATION^{•1}	Model	Order No.	Price	Alpine White (I)	Sanitary Colours (II, III)	Coord. Colours (IV)
Bathtub installation set includes everything for professional installation including universal waste and overflow set and bath pedestal 5030/5032	BIS 5041	6876 7649 0000	234.00			
Bathtub installation set includes everything for professional installation including bath pedestal 5030/5032	BIS 5043	6876 7651 0000	162.00			
Pedestal ALLROUND 5030		5814 7000 0000	47.00			
Wall anchor		6876 7513 0000	25.50			
Grip Discreet Opulence Type A (1 grip), chrome		5906 7000 0999	227.00			
Sealing kit FLEX		6897 2052 0000	51.50			
Bath Sound absorbing set		6876 7573 0000	47.00			
Installation tape WES 130 For sound insulation and separation between the bottom edge of the product and the brickwork		6876 7654 0000	15.50			

OPTIONAL: SOUND SYSTEM^{•1}	Model	Order No.	Price	Alpine White (I)	Sanitary Colours (II, III)	Coord. Colours (IV)
SOUND WAVE SOUND WAVE can be used with all KALDEWEI bathtubs, except models with polystyrene support and whirl systems!	6802	5845 7613 0000	686.00			

VAIO DUO 6

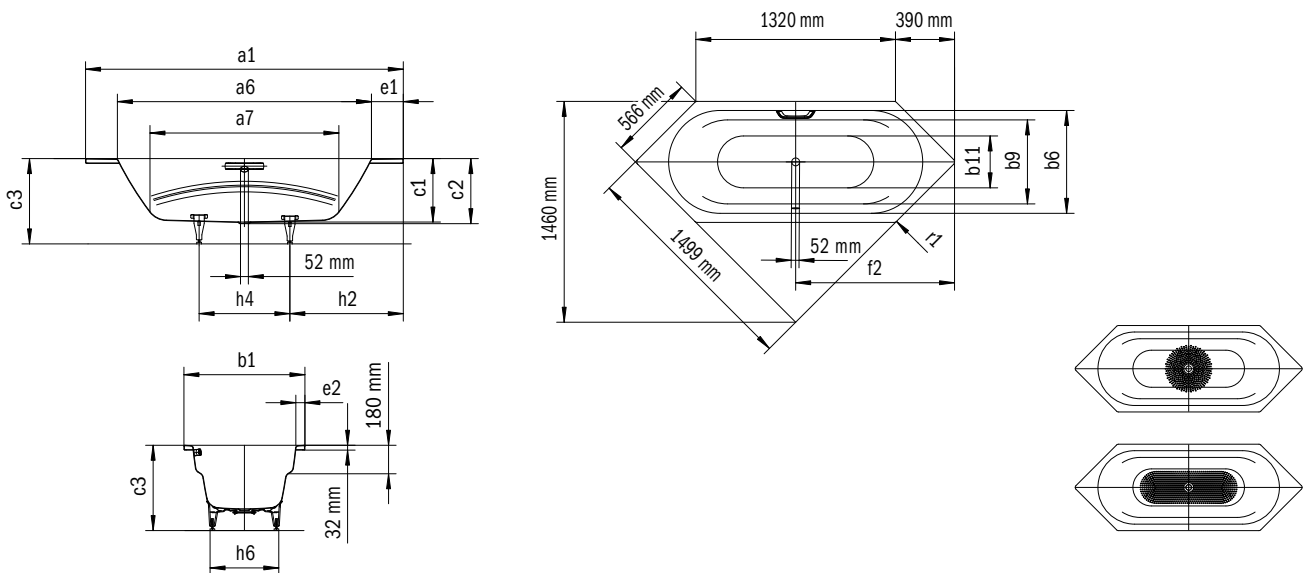
- Diverse installation possibilities, also corner installation
- With integrated arm rests
- Bathing with a friend: two identical back rests and centrally positioned waste



GRIP DISCREET OPULENCE

Similar illustration

VAIO DUO 6	ALPINE WHITE	BAHAMABEIGE	MANHATTAN	PERGAMON	BLACK	COORDINATED COLOURS	ALPINE WHITE MATT	WARM BEIGE 20	WARM BEIGE 40	WARM GREY 10	WARM GREY 30	WARM GREY 50	WARM GREY 60	WARM GREY 70	WARM GREY 80	WARM GREY 85	WARM GREY 90	COOL GREY 30	COOL GREY 40	COOL GREY 70	COOL GREY 80	COOL GREY 90	BLACK MATT 100
	001	030	199	231	701		711	661															



Model	External length [mm]	Internal length (top) [mm]	Internal length (bottom) [mm]	External width [mm]	Internal width (top) [mm]	Internal width (bottom) [mm]	Depth inside [mm]	Depth incl. waste hole [mm]	Height with feet [mm]	Width of rim (foot end; long side) [mm]	Distance bath edge to centre of waste hole [mm]	Distance foot end of bath edge to centre of foot [mm]	Distance between the feet [mm]	Width of feet max. [mm]	External radius [mm]	Water volume [l]	Net weight [kg]
952	a ₁	a ₆	a ₇	b ₁	b ₆	b ₁₁	c ₁	c ₂	c ₃	e ₁ ; e ₂	f ₂	h ₂	h ₄	h ₆	r ₁		
952	2100	1680	1248	800	680	496	420	430	550 - 590	210; 60	1050	750	600	455	23	155	50

	Model	Order No.	Dimensions (mm)	Alpine White (I)	Sanitary Colours (II, III)	Coord. Colours (IV)	EUR
VAIO DUO 6	952	2332 0001 xxxx	2100 x 800 x 420	1,856.00	2,414.00	2,414.00	
Model with grip holes on one side available		xxxx 1011 xxxx		without extra charge	without extra charge	without extra charge	

OPTIONAL: SURFACE FINISHES	Model	Order No.	Price	Alpine White (I)	Sanitary Colours (II, III)	Coord. Colours (IV)
INVISIBLE GRIP Almost invisible slip resistance on the standing surface. Cannot be combined with easy-clean finish		xxxxxxx1xxx		167.50		
Easy-clean finish		xxxxxxx3xxx		94.00	94.00	
Full anti-slip				191.00	191.00	
Partial anti-slip				101.00	101.00	

OPTIONAL: INFLOW/OUTFLOW TECHNOLOGY^{•1}	Model	Order No.	Price	Alpine White (I)	Sanitary Colours (II, III)	Coord. Colours (IV)
COMFORT LEVEL extended	KA 4002					
alpine white		6877 7249 0001		228.00		
alpine white matt		6877 7234 0711				251.00
black matt 100		6877 7234 0676				251.00
chrome		6877 7234 0999	228.00			
Waste and overflow fitting extended	4078	6877 7141 0999	92.00			
chrome						

OPTIONAL: INSTALLATION^{•1}	Model	Order No.	Price	Alpine White (I)	Sanitary Colours (II, III)	Coord. Colours (IV)
Bathtub installation set includes everything for professional installation including universal waste and overflow set and bath pedestal 5030/5032	BIS 5041	6876 7649 0000	234.00			
Bathtub installation set includes everything for professional installation including bath pedestal 5030/5032	BIS 5043	6876 7651 0000	162.00			
Pedestal ALLROUND 5030		5814 7000 0000	47.00			
Wall anchor		6876 7513 0000	25.50			
Grip Discreet Opulence Type A (1 grip), chrome		5906 7000 0999	227.00			
Sealing kit FLEX		6897 2052 0000	51.50			
Bath Sound absorbing set		6876 7573 0000	47.00			
Installation tape WES 130 For sound insulation and separation between the bottom edge of the product and the brickwork		6876 7654 0000	15.50			

OPTIONAL: SOUND SYSTEM^{•1}	Model	Order No.	Price	Alpine White (I)	Sanitary Colours (II, III)	Coord. Colours (IV)
SOUND WAVE SOUND WAVE can be used with all KALDEWEI bathtubs, except models with polystyrene support and whirl systems!	6802	5845 7613 0000	686.00			

VAIO DUO 8

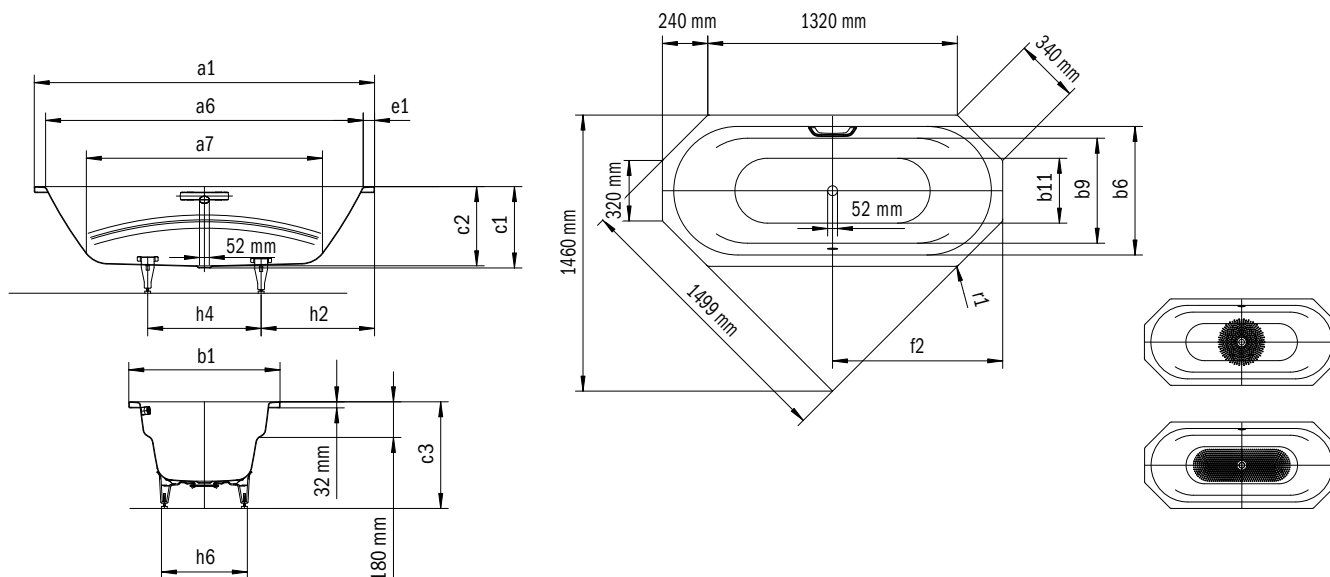
- Diverse installation possibilities, also corner installation
- With integrated arm rests
- Bathing with a friend: two identical back rests and centrally positioned waste



GRIP DISCREET OPULENCE

Similar illustration

	ALPINE WHITE	BAHAMABEIGE	MANHATTAN	PERGAMON	BLACK	COORDINATED COLOURS	ALPINE WHITE MATT	WARM BEIGE 20	WARM BEIGE 40	WARM GREY 10	WARM GREY 30	WARM GREY 50	WARM GREY 60	WARM GREY 70	WARM GREY 80	WARM GREY 85	WARM GREY 90	COOL GREY 30	COOL GREY 40	COOL GREY 70	COOL GREY 80	COOL GREY 90	BLACK MATT 100	
VAIO DUO 8	001	030	199	231	701		711	661																
	SANITARY COLOURS																							



Model	External length [mm]	Internal length (top) [mm]	Internal length (bottom) [mm]	External width [mm]	Internal width (top) [mm]	Internal width (bottom) [mm]	Depth inside [mm]	Depth incl. waste hole [mm]	Height with feet [mm]	Width of rim (foot end) [mm]	Distance bath edge to centre of waste hole [mm]	Distance foot end of bath edge to centre of foot [mm]	Distance between the feet [mm]	Width of feet max. [mm]	External radius [mm]	Water volume [l]	Net weight [kg]
953	a ₁	a ₆	a ₇	b ₁	b ₆	b ₁₁	c ₁	c ₂	c ₃	e ₁	f ₂	h ₂	h ₄	h ₆	r ₁		
953	1800	1680	1248	800	680	496	420	430	550 - 590	60	900	600	600	455	23	155	49

	Model	Order No.	Dimensions (mm)	Alpine White (I)	Sanitary Colours (II, III)	Coord. Colours (IV)	EUR
VAIO DUO 8	953	2333 0001 xxxx	1800 x 800 x 420	1,970.00	2,562.00	2,562.00	
Model with grip holes on one side available		xxxx 1011 xxxx		without extra charge	without extra charge	without extra charge	

OPTIONAL: SURFACE FINISHES	Model	Order No.	Price	Alpine White (I)	Sanitary Colours (II, III)	Coord. Colours (IV)
INVISIBLE GRIP Almost invisible slip resistance on the standing surface. Cannot be combined with easy-clean finish		xxxxxxx1xxx	167.50			
Easy-clean finish		xxxxxxx3xxx	94.00	94.00		
Full anti-slip			191.00	191.00		
Partial anti-slip			101.00	101.00		

OPTIONAL: INFLOW/OUTFLOW TECHNOLOGY^{•1}	Model	Order No.	Price	Alpine White (I)	Sanitary Colours (II, III)	Coord. Colours (IV)
COMFORT LEVEL extended	KA 4002					
alpine white		6877 7249 0001	228.00			
alpine white matt		6877 7234 0711				251.00
black matt 100		6877 7234 0676				251.00
chrome		6877 7234 0999	228.00			
Waste and overflow fitting extended	4078	6877 7141 0999	92.00			
chrome						

OPTIONAL: INSTALLATION^{•1}	Model	Order No.	Price	Alpine White (I)	Sanitary Colours (II, III)	Coord. Colours (IV)
Bathtub installation set includes everything for professional installation including universal waste and overflow set and bath pedestal 5030/5032	BIS 5041	6876 7649 0000	234.00			
Bathtub installation set includes everything for professional installation including bath pedestal 5030/5032	BIS 5043	6876 7651 0000	162.00			
Pedestal ALLROUND 5030		5814 7000 0000	47.00			
Wall anchor		6876 7513 0000	25.50			
Grip Discreet Opulence Type A (1 grip), chrome		5906 7000 0999	227.00			
Bath Sound absorbing set		6876 7573 0000	47.00			
Installation tape WES 130 For sound insulation and separation between the bottom edge of the product and the brickwork		6876 7654 0000	15.50			

OPTIONAL: SOUND SYSTEM^{•1}	Model	Order No.	Price	Alpine White (I)	Sanitary Colours (II, III)	Coord. Colours (IV)
SOUND WAVE SOUND WAVE can be used with all KALDEWEI bathtubs, except models with polystyrene support and whirl systems!	6802	5845 7613 0000	686.00			

VAIO DUO OVAL

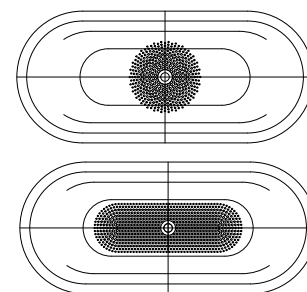
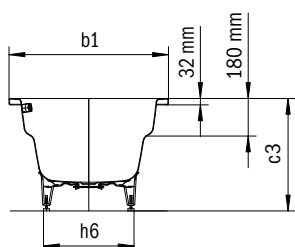
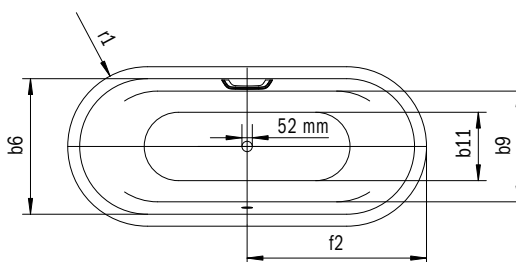
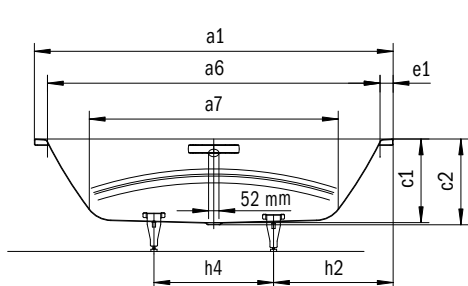
- Bathing with a friend: two identical back rests and centrally positioned waste
- With integrated arm rests



GRIP DISCREET OPULENCE

Similar illustration

	ALPINE WHITE	BAHAMABEIGE	MANHATTAN	PERGAMON	BLACK	COORDINATED COLOURS	ALPINE WHITE MATT	WARM BEIGE 20	WARM BEIGE 40	WARM GREY 10	WARM GREY 30	WARM GREY 50	WARM GREY 60	WARM GREY 70	WARM GREY 80	WARM GREY 85	WARM GREY 90	COOL GREY 30	COOL GREY 40	COOL GREY 70	COOL GREY 80	COOL GREY 90	BLACK MATT 100
VAIO DUO OVAL	001	SANITARY COLOURS 030	199	231	701		711	661															



Model	External length [mm]	Internal length (top) [mm]	Internal length (bottom) [mm]	External width [mm]	Internal width (top) [mm]	Internal width (bottom) [mm]	Depth inside [mm]	Depth incl. waste hole [mm]	Height with feet [mm]	Width of rim (foot end) [mm]	Distance bath edge to centre of waste hole [mm]	Distance foot end of bath edge to centre of foot [mm]	Distance between the feet [mm]	Width of feet max. [mm]	External radius [mm]	Water volume [l]	Net weight [kg]
951	a ₁	a ₆	a ₇	b ₁	b ₆	b ₁₁	c ₁	c ₂	c ₃	e ₁	f ₂	h ₂	h ₄	h ₆	r ₁		
951	1800	1680	1248	800	680	496	420	430	550 - 590	60	900	600	600	455	400	155	50

	Model	Order No.	Dimensions (mm)	Alpine White (I)	Sanitary Colours (II, III)	Coord. Colours (IV)	EUR
VAIO DUO OVAL	951	2331 0001 xxxx	1800 x 800 x 420	1,631.00	2,119.00	2,119.00	
Model with grip holes on one side available		xxxx 1011 xxxx		without extra charge	without extra charge	without extra charge	

OPTIONAL: SURFACE FINISHES	Model	Order No.	Price	Alpine White (I)	Sanitary Colours (II, III)	Coord. Colours (IV)
INVISIBLE GRIP Almost invisible slip resistance on the standing surface. Cannot be combined with easy-clean finish		xxxxxxx1xxx	167.50			
Easy-clean finish		xxxxxxx3xxx	94.00	94.00		
Full anti-slip			191.00	191.00		
Partial anti-slip			101.00	101.00		

OPTIONAL: INFLOW/OUTFLOW TECHNOLOGY^{•1}	Model	Order No.	Price	Alpine White (I)	Sanitary Colours (II, III)	Coord. Colours (IV)
COMFORT LEVEL extended	KA 4002					
alpine white		6877 7249 0001	228.00			
alpine white matt		6877 7234 0711				251.00
black matt 100		6877 7234 0676				251.00
chrome		6877 7234 0999	228.00			
Waste and overflow fitting extended	4078	6877 7141 0999	92.00			
chrome						

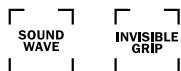
OPTIONAL: INSTALLATION^{•1}	Model	Order No.	Price	Alpine White (I)	Sanitary Colours (II, III)	Coord. Colours (IV)
Bathtub installation set includes everything for professional installation including universal waste and overflow set and bath pedestal 5030/5032	BIS 5041	6876 7649 0000	234.00			
Bathtub installation set includes everything for professional installation including bath pedestal 5030/5032	BIS 5043	6876 7651 0000	162.00			
Pedestal ALLROUND 5030		5814 7000 0000	47.00			
Wall anchor		6876 7513 0000	25.50			
Grip Discreet Opulence Type A (1 grip), chrome		5906 7000 0999	227.00			
Bath Sound absorbing set		6876 7573 0000	47.00			
Installation tape WES 130 For sound insulation and separation between the bottom edge of the product and the brickwork		6876 7654 0000	15.50			

OPTIONAL: SOUND SYSTEM^{•1}	Model	Order No.	Price	Alpine White (I)	Sanitary Colours (II, III)	Coord. Colours (IV)
SOUND WAVE SOUND WAVE can be used with all KALDEWEI bathtubs, except models with polystyrene support and whirl systems!	6802	5845 7613 0000	686.00			

VAIO SET

VAIO SET STAR

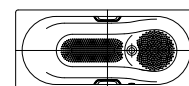
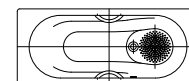
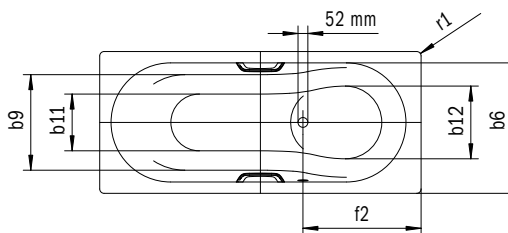
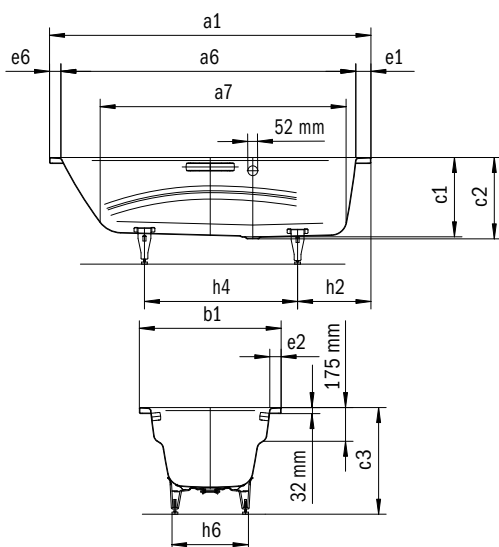
- Combi-bath suitable for bathing and showering
- Single-seat bathtub with side-positioned overflow and integrated armrests
- Generous bathtub depth for comfortable bathing
- Also available with grips



GRIP DISCREET OPULENCE

Similar illustration

	ALPINE WHITE	BAHAMABEIGE	MANHATTAN	PERGAMON	BLACK	COORDINATED COLOURS	ALPINE WHITE MATT	WARM BEIGE 20	WARM BEIGE 40	WARM GREY 10	WARM GREY 30	WARM GREY 50	WARM GREY 60	WARM GREY 70	WARM GREY 80	WARM GREY 85	WARM GREY 90	COOL GREY 30	COOL GREY 40	COOL GREY 70	COOL GREY 80	COOL GREY 90	BLACK MATT 100	
VAIO SET (STAR)	001	030	199	231	701		711	661																



Model	External length [mm]	Internal length (top) [mm]	Internal length (bottom) [mm]	External width [mm]	Internal width (top) [mm]	Internal width (bottom) [mm]	Depth inside [mm]	Depth incl. waste hole [mm]	Height with feet [mm]	Width of rim (foot end; long side; head end) [mm]	Distance bath edge to centre of waste hole [mm]	Distance foot end of bath edge to centre of foot [mm]	Distance between the feet [mm]	Width of feet max. [mm]	External radius [mm]	Water volume [l]	Net weight [kg]
	a ₁	a ₆	a ₇	b ₁	b ₆	b ₁₁	c ₁	c ₂	c ₃	e ₁ ; e ₂ ; e ₆	f ₂	h ₂	h ₄	h ₆	r ₁		
956	1600	1460	1200	700	580	420	420	430	560 - 580	80; 60; 60	575	435	625	425	8	100	45
957	1600	1460	1200	700	580	420	420	430	560 - 580	80; 60; 60	575	435	625	425	8	100	45
944	1700	1460	1200	700	580	420	420	430	567 - 590	130; 60; 110	625	485	625	430	8	100	47
945	1700	1460	1200	700	580	420	420	430	567 - 590	130; 60; 110	625	485	625	430	8	100	47
955	1700	1560	1300	750	630	450	420	430	560 - 580	80; 60; 60	625	435	725	488	8	135	50
954	1700	1560	1300	750	630	450	420	430	560 - 580	80; 60; 60	625	435	725	488	8	135	50
947	1800	1560	1300	800	630	450	420	430	560 - 580	130; 85; 110	675	485	725	485	8	135	55
946	1800	1560	1300	800	630	450	420	430	560 - 580	130; 85; 110	675	485	725	485	8	135	55

	Model	Order No.	Dimensions (mm)	Alpine White (I)	Sanitary Colours (II, III)	EUR Coord. Colours (IV)
VAIO SET	956	2336 0001 xxxx	1600 x 700 x 420	904.00	1,174.00	1,174.00
	944	2344 0001 xxxx	1700 x 700 x 420	904.00	1,174.00	1,174.00
	954	2334 0001 xxxx	1700 x 750 x 420	904.00	1,174.00	1,174.00
	946	2346 0001 xxxx	1800 x 800 x 420	1,062.00	1,381.00	1,381.00
VAIO SET STAR for mounting grips, grips subject to surcharge	957	2337 0001 xxxx	1600 x 700 x 420	904.00	1,174.00	1,174.00
	945	2345 0001 xxxx	1700 x 700 x 420	904.00	1,174.00	1,174.00
	955	2335 0001 xxxx	1700 x 750 x 420	904.00	1,174.00	1,174.00
	947	2347 0001 xxxx	1800 x 800 x 420	1,062.00	1,381.00	1,381.00
Design with opposite overflow available		xxxx 2300 xxxx		without extra charge	without extra charge	without extra charge

OPTIONAL: SURFACE FINISHES	Model	Order No.	Price	Alpine White (I)	Sanitary Colours (II, III)	Coord. Colours (IV)
INVISIBLE GRIP Almost invisible slip resistance on the standing surface. Cannot be combined with easy-clean finish		xxxxxxx1xxx		167.50		
Easy-clean finish		xxxxxxx3xxx		94.00	94.00	
Full anti-slip				191.00	191.00	
Partial anti-slip				101.00	101.00	

OPTIONAL: INFLOW/OUTFLOW TECHNOLOGY^{•1}	Model	Order No.	Price	Alpine White (I)	Sanitary Colours (II, III)	Coord. Colours (IV)
COMFORT LEVEL extended	KA 4002					
alpine white		6877 7249 0001		228.00		
alpine white matt		6877 7234 0711				251.00
black matt 100		6877 7234 0676				251.00
chrome		6877 7234 0999	228.00			
Waste and overflow fitting extended	4078	6877 7141 0999	92.00			
chrome						

OPTIONAL: INSTALLATION^{•1}	Model	Order No.	Price	Alpine White (I)	Sanitary Colours (II, III)	Coord. Colours (IV)
Bathtub installation set includes everything for professional installation including universal waste and overflow set and bath pedestal 5030/5032	BIS 5041	6876 7649 0000	234.00			
Bathtub installation set includes everything for professional installation including bath pedestal 5030/5032	BIS 5043	6876 7651 0000	162.00			
Pedestal ALLROUND 5030		5814 7000 0000	47.00			
Wall anchor		6876 7513 0000	25.50			
Grip Discreet Opulence Type B (2 grips), chrome		5907 7000 0999	339.00			
Sealing kit FLEX		6897 2052 0000	51.50			
Bath Sound absorbing set		6876 7573 0000	47.00			
Installation tape WES 130 For sound insulation and separation between the bottom edge of the product and the brickwork		6876 7654 0000	15.50			

OPTIONAL: SOUND SYSTEM^{•1}	Model	Order No.	Price	Alpine White (I)	Sanitary Colours (II, III)	Coord. Colours (IV)
SOUND WAVE SOUND WAVE can be used with all KALDEWEI bathtubs, except models with polystyrene support and whirl systems!	6802	5845 7613 0000	686.00			

VAIO 6

VAIO 6 STAR

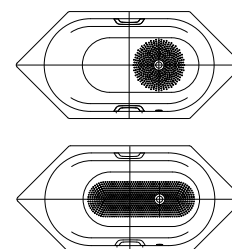
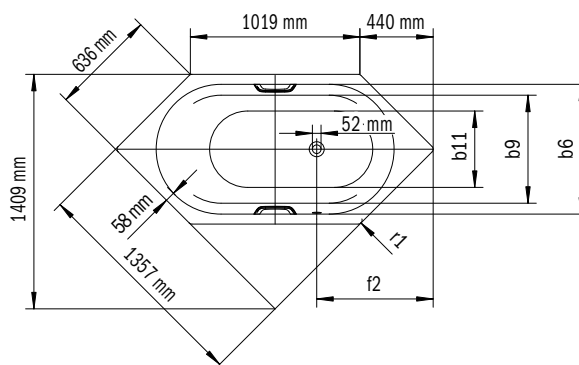
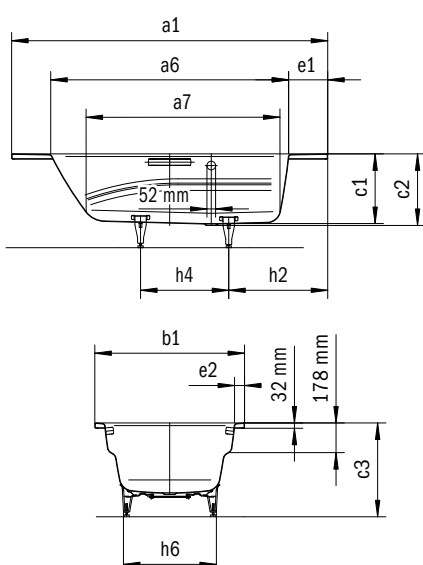
- One-seater bath with side overflow, generous width and integrated arm rests
- Diverse installation possibilities, also corner installation
- Also available with grips



GRIP DISCREET OPULENCE

Similar illustration

VAIO 6 (STAR)	ALPINE WHITE 001	SANITARY COLOURS	BAHAMABEIGE 030	MANHATTAN 199	PERGAMON 231	BLACK 701	COORDINATED COLOURS	ALPINE WHITE MATT 711	WARM BEIGE 20 661	WARM BEIGE 40	WARM GREY 10	WARM GREY 30	WARM GREY 50	WARM GREY 60	WARM GREY 70	WARM GREY 80	WARM GREY 85	WARM GREY 90	COOL GREY 30	COOL GREY 40	COOL GREY 70	COOL GREY 80	COOL GREY 90	BLACK MATT 100
---------------	---------------------	------------------	--------------------	------------------	-----------------	--------------	---------------------	--------------------------	----------------------	---------------	--------------	--------------	--------------	--------------	--------------	--------------	--------------	--------------	--------------	--------------	--------------	--------------	--------------	-------------------



Model	External length [mm]	Internal length (top) [mm]	Internal length (bottom) [mm]	External width [mm]	Internal width (top) [mm]	Internal width (bottom) [mm]	Depth inside [mm]	Depth incl. waste hole [mm]	Height with feet [mm]	Width of rim (foot end; long side) [mm]	Distance bath edge to centre of waste hole [mm]	Distance foot end of bath edge to centre of foot [mm]	Distance between the feet [mm]	Width of feet max. [mm]	External radius [mm]	Water volume [l]	Net weight [kg]
	a ₁	a ₆	a ₇	b ₁	b ₆	b ₁₁	c ₁	c ₂	c ₃	e ₁ ; e ₂	f ₂	h ₂	h ₄	h ₆	r ₁		
958	1900	1430	1165	900	780	600	420	430	555 - 585	235; 60	700	595	530	575	23	145	47
959	1900	1430	1165	900	780	600	420	430	555 - 585	235; 60	700	595	530	575	23	145	47

	Model	Order No.	Dimensions (mm)	EUR		
				Alpine White (I)	Sanitary Colours (II, III)	Coord. Colours (IV)
VAIO 6	958	2338 0001 xxxx	1900 x 900 x 420	1,746.00	2,268.00	2,268.00
VAIO 6 STAR	959	2339 0001 xxxx	1900 x 900 x 420	1,746.00	2,268.00	2,268.00
for mounting grips, grips subject to surcharge						
Design with opposite overflow available		xxxx 2300 xxxx		without extra charge	without extra charge	without extra charge

OPTIONAL: SURFACE FINISHES	Model	Order No.	Price	Alpine White (I)	Sanitary Colours (II, III)	Coord. Colours (IV)
INVISIBLE GRIP		xxxxxxx1xxx		167.50		
Almost invisible slip resistance on the standing surface. Cannot be combined with easy-clean finish						
Easy-clean finish		xxxxxxx3xxx		94.00	94.00	
Full anti-slip				191.00	191.00	
Partial anti-slip				101.00	101.00	

OPTIONAL: INFLOW/OUTFLOW TECHNOLOGY•¹	Model	Order No.	Price	Alpine White (I)	Sanitary Colours (II, III)	Coord. Colours (IV)
COMFORT LEVEL extended	KA 4002					
alpine white		6877 7249 0001		228.00		
alpine white matt		6877 7234 0711				251.00
black matt 100		6877 7234 0676				251.00
chrome		6877 7234 0999	228.00			
Waste and overflow fitting extended	4078	6877 7141 0999	92.00			
chrome						

OPTIONAL: INSTALLATION•¹	Model	Order No.	Price	Alpine White (I)	Sanitary Colours (II, III)	Coord. Colours (IV)
Bathtub installation set	BIS 5042	6876 7650 0000	252.00			
includes everything for professional installation including universal waste and overflow set and bath pedestal 5037						
Bathtub installation set	BIS 5044	6876 7652 0000	180.00			
includes everything for professional installation including bath pedestal 5037						
Special pedestal Mod.5037		5831 7000 0000	67.00			
Wall anchor		6876 7513 0000	25.50			
Grip Discreet Opulence		5907 7000 0999	339.00			
Type B (2 grips), chrome						
Sealing kit FLEX		6897 2052 0000	51.50			
Bath Sound absorbing set		6876 7573 0000	47.00			
Installation tape WES 130		6876 7654 0000	15.50			
For sound insulation and separation between the bottom edge of the product and the brickwork						

OPTIONAL: SOUND SYSTEM•¹	Model	Order No.	Price	Alpine White (I)	Sanitary Colours (II, III)	Coord. Colours (IV)
SOUND WAVE	6802	5845 7613 0000	686.00			
SOUND WAVE can be used with all KALDEWEI bathtubs, except models with polystyrene support and whirl systems!						

CAYONO CAYONO STAR

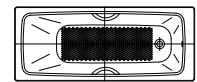
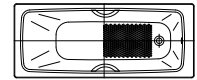
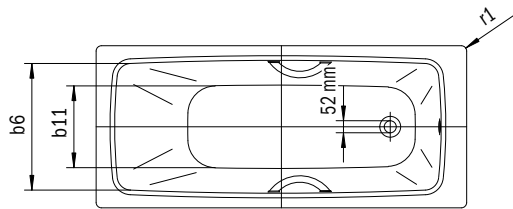
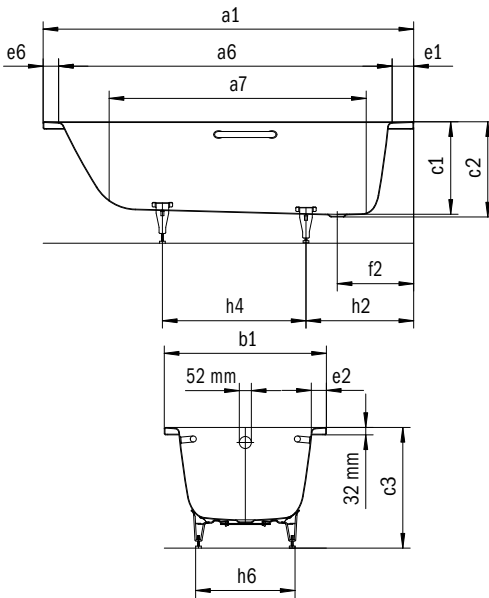
- Single-seat bath with waste positioned at the foot end
- Independent Anti-slip design
- Modern rectangular bathtub with spacious interior of the tub
- Also available with grips



UNIVERSAL GRIP TYPE A

Similar illustration

	ALPINE WHITE	BAHAMABEIGE	MANHATTAN	PERGAMON	BLACK	COORDINATED COLOURS	ALPINE WHITE MATT	WARM BEIGE 20	WARM BEIGE 40	WARM GREY 10	WARM GREY 30	WARM GREY 50	WARM GREY 60	WARM GREY 70	WARM GREY 80	WARM GREY 85	WARM GREY 90	COOL GREY 30	COOL GREY 40	COOL GREY 70	COOL GREY 80	COOL GREY 90	BLACK MATT 100
CAYONO (STAR)	001	030	199	231	701	711	661																



Model	External length [mm]	Internal length (top) [mm]	Internal length (bottom) [mm]	External width [mm]	Internal width (top) [mm]	Internal width (bottom) [mm]	Depth inside [mm]	Depth incl. waste hole [mm]	Height with feet [mm]	Width of rim (foot end; long side; head end) [mm]	Distance bath edge to centre of waste hole [mm]	Distance foot end of bath edge to centre of foot [mm]	Distance between the feet [mm]	Width of feet max. [mm]	External radius [mm]	Water volume [l]	Net weight [kg]
	a ₁	a ₆	a ₇	b ₁	b ₆	b ₁₁	c ₁	c ₂	c ₃	e ₁ ; e ₂ ; e ₆	f ₂	h ₂	h ₄	h ₆	r ₁		
747	1500	1310	1010	700	570	400	400	410	535 - 555	110; 63; 80	330	450	560	435	23	89	38
753	1500	1310	1010	700	570	400	400	410	535 - 555	110; 63; 80	330	450	560	435	23	89	35
748	1600	1410	1110	700	570	400	400	410	543 - 563	110; 63; 80	330	450	655	430	8	107	39
754	1600	1410	1110	700	570	400	400	410	543 - 563	110; 63; 80	330	450	655	430	8	107	39
749	1700	1510	1210	700	570	400	400	410	537 - 559	110; 63; 80	330	455	742	440	8	110	42
755	1700	1510	1210	700	570	400	400	410	537 - 559	110; 63; 80	330	455	742	440	8	110	42
750	1700	1510	1210	750	610	450	400	410	538 - 553	110; 63; 80	330	450	745	475	8	136	46
756	1700	1510	1210	750	610	450	400	410	538 - 553	110; 63; 80	330	450	745	475	8	136	44
751	1800	1610	1310	800	660	510	400	410	528 - 543	110; 63; 80	330	450	820	560	8	171	50
757	1800	1610	1310	800	660	510	400	410	528 - 543	110; 63; 80	330	450	820	560	8	171	49

	Model	Order No.	Dimensions (mm)	Alpine White (I)	Sanitary Colours (II, III)	EUR Coord. Colours (IV)
CAYONO	747	2747 0001 xxxx	1500 x 700 x 400	632.00	823.00	823.00
for model 747, 748, 749 and 750 base frame	748	2748 0001 xxxx	1600 x 700 x 400	544.00	706.00	706.00
Allround Mod. 5030, for model 751 special	749	2749 0001 xxxx	1700 x 700 x 400	567.00	737.00	737.00
base frame 5037	750	2750 0001 xxxx	1700 x 750 x 400	544.00	706.00	706.00
	751	2751 0001 xxxx	1800 x 800 x 400	659.00	855.00	855.00
CAYONO STAR	753	2753 0001 xxxx	1500 x 700 x 400	688.00	895.00	895.00
for mounting grips, grips subject to surcharge	754	2754 0001 xxxx	1600 x 700 x 400	600.00	778.00	778.00
for model 753, 754, 755 and 756 base frame	755	2755 0001 xxxx	1700 x 700 x 400	623.00	809.00	809.00
Allround Mod. 5030, for model 757 special	756	2756 0001 xxxx	1700 x 750 x 400	600.00	778.00	778.00
base frame 5037	757	2757 0001 xxxx	1800 x 800 x 400	713.00	926.00	926.00

OPTIONAL: SURFACE FINISHES	Model	Order No.	Price	Alpine White (I)	Sanitary Colours (II, III)	Coord. Colours (IV)
INVISIBLE GRIP		xxxxxxx1xxx		167.50		
Almost invisible slip resistance on the standing surface. Cannot be combined with easy-clean finish						
Easy-clean finish		xxxxxxx3xxx		94.00	94.00	
Full anti-slip				191.00	191.00	
Partial anti-slip				101.00	101.00	

OPTIONAL: INFLOW/OUTFLOW TECHNOLOGY^{•1}	Model	Order No.	Price	Alpine White (I)	Sanitary Colours (II, III)	Coord. Colours (IV)
COMFORT LEVEL standard	KA 4001					
alpine white		687772480001		193.00		
alpine white matt		687772330711				211.50
black matt 100		687772330676				211.50
chrome		687772330999	193.00			
COMFORT LEVEL PLUS standard	KA 4011					
with integrated filling function						
alpine white		687772500001		476.00		
alpine white matt		687772370711				522.00
black matt 100		687772370676				522.00
chrome		687772370999	476.00			
Waste and overflow fitting standard	4077	687771400999	86.50			
chrome						

OPTIONAL: INSTALLATION^{•1}	Model	Order No.	Price	Alpine White (I)	Sanitary Colours (II, III)	Coord. Colours (IV)
Bathtub installation set	BIS 5041	687676490000	234.00			
includes everything for professional installation including universal waste and overflow set and bath pedestal 5030/5032						
Bathtub installation set	BIS 5042	687676500000	252.00			
includes everything for professional installation including universal waste and overflow set and bath pedestal 5037						
Bathtub installation set	BIS 5043	687676510000	162.00			
includes everything for professional installation including bath pedestal 5030/5032						
Bathtub installation set	BIS 5044	687676520000	180.00			
includes everything for professional installation including bath pedestal 5037						

OPTIONAL: INSTALLATION •¹	Model	Order No.	Price	Alpine White (I)	Sanitary Colours (II, III)	Coord. Colours (IV)
Pedestal ALLROUND 5030		5814 7000 0000	47.00			
Special pedestal Mod.5037		5831 7000 0000	67.00			
Wall anchor		6876 7513 0000	25.50			
Universal grip type A						
alpine white		5876 7000 0001	319.00			
black matt 100		5876 7000 0676				319.00
chrome		5876 7000 0999	215.50			
gold		5876 7020 0998	762.00			
manhattan		5876 7000 0199				319.00
matt chrome		5876 7080 0996	506.00			
pergamon		5876 7000 0231				319.00
polished brass		5876 7070 0997	506.00			
Sealing kit FLEX		6897 2052 0000	51.50			
Bath Sound absorbing set		6876 7573 0000	47.00			
Installation tape WES 130		6876 7654 0000	15.50			
For sound insulation and separation between the bottom edge of the product and the brickwork						

OPTIONAL: SOUND SYSTEM •¹	Model	Order No.	Price	Alpine White (I)	Sanitary Colours (II, III)	Coord. Colours (IV)
SOUND WAVE	6802	5845 7613 0000	686.00			
SOUND WAVE can be used with all KALDEWEI bathtubs, except models with polystyrene support and whirl systems!						



CAYONO DUO

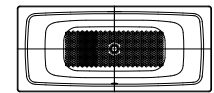
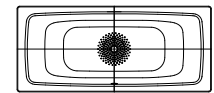
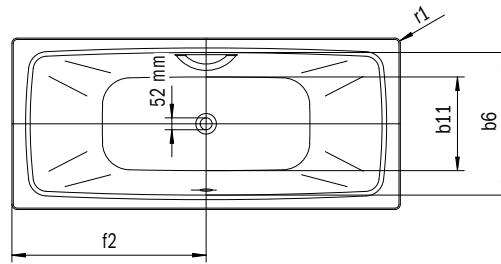
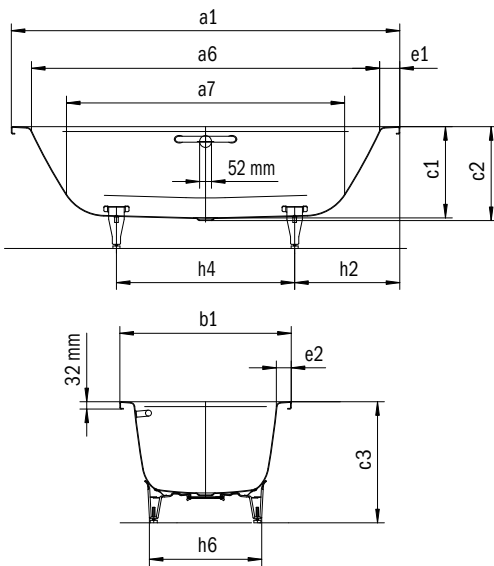
- Modern rectangular bathtub with straight lines and small radius
- Perfect match for the CAYONO model range
- Two gently sloping backrests and the central waste and overflow fitting ensure relaxed bathing with a partner
- Spacious interior provides ample room for a relaxing bath



UNIVERSAL GRIP TYPE A

Similar illustration

CAYONO DUO	ALPINE WHITE	SANITARY COLOURS				COORDINATED COLOURS		COORDINATED COLOURS															
	001	BAHAMABEIGE 030	MANHATTAN 199	PERGAMON 231	BLACK 701	ALPINE WHITE MATT 711	WARM BEIGE 20 661	WARM BEIGE 40	WARM GREY 10	WARM GREY 30	WARM GREY 50	WARM GREY 60	WARM GREY 70	WARM GREY 80	WARM GREY 85	WARM GREY 90	COOL GREY 30	COOL GREY 40	COOL GREY 70	COOL GREY 80	COOL GREY 90	BLACK MATT 100	



Model	External length [mm]	Internal length (top) [mm]	Internal length (bottom) [mm]	External width [mm]	Internal width (top) [mm]	Internal width (bottom) [mm]	Depth inside [mm]	Depth incl. waste hole [mm]	Height with feet [mm]	Width of rim (foot end; long side) [mm]	Distance bath edge to centre of waste hole [mm]	Distance foot end of bath edge to centre of foot [mm]	Distance between the feet [mm]	Width of feet max. [mm]	External radius [mm]	Water volume [l]	Net weight [kg]
	a ₁	a ₆	a ₇	b ₁	b ₆	b ₁₁	c ₁	c ₂	c ₃	e ₁ ; e ₂	f ₂	h ₂	h ₄	h ₆	r ₁		
724	1700	1540	1220	750	624	410	400	410	545 - 580	80; 63	850	513	675	475	8	130	42
725	1800	1640	1320	800	674	460	400	410	539 - 573	80; 63	900	526	749	526	8	160	48

	Model	Order No.	Dimensions (mm)	Alpine White (I)	Sanitary Colours (II, III)	Coord. Colours (IV)	EUR
CAYONO DUO	724	2724 0001 xxxx	1700 x 750 x 400	677.00	879.00		879.00
	725	2725 0001 xxxx	1800 x 800 x 400	715.00	929.00		929.00
Model with grip holes on one side available		xxxx 1011 xxxx		without extra charge	without extra charge		without extra charge

OPTIONAL: SURFACE FINISHES	Model	Order No.	Price	Alpine White (I)	Sanitary Colours (II, III)	Coord. Colours (IV)
INVISIBLE GRIP Almost invisible slip resistance on the standing surface. Cannot be combined with easy-clean finish		xxxxxxx 1 xxx		167.50		
Easy-clean finish		xxxxxxx 3 xxx		94.00	94.00	
Full anti-slip				191.00	191.00	
Partial anti-slip				101.00	101.00	

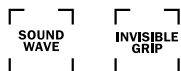
OPTIONAL: INFLOW/OUTFLOW TECHNOLOGY^{•1}	Model	Order No.	Price	Alpine White (I)	Sanitary Colours (II, III)	Coord. Colours (IV)
COMFORT LEVEL extended	KA 4002					
alpine white		6877 7249 0001		228.00		
alpine white matt		6877 7234 0711				251.00
black matt 100		6877 7234 0676				251.00
chrome		6877 7234 0999	228.00			
COMFORT LEVEL PLUS extended with integrated filling function	KA 4012					
alpine white		6877 7251 0001		537.00		
alpine white matt		6877 7238 0711				591.00
black matt 100		6877 7238 0676				591.00
chrome		6877 7238 0999	537.00			
Waste and overflow fitting extended	4078	6877 7141 0999	92.00			
chrome						

OPTIONAL: INSTALLATION^{•1}	Model	Order No.	Price	Alpine White (I)	Sanitary Colours (II, III)	Coord. Colours (IV)
Bathtub installation set includes everything for professional installation including universal waste and overflow set and bath pedestal 5037	BIS 5042	6876 7650 0000	252.00			
Bathtub installation set includes everything for professional installation including bath pedestal 5037	BIS 5044	6876 7652 0000	180.00			
Special pedestal Mod.5037		5831 7000 0000	67.00			
Wall anchor		6876 7513 0000	25.50			
Universal grip type A						
alpine white		5876 7200 0001		202.50		
black matt 100		5876 7200 0676				202.50
chrome		5876 7200 0999	150.50			
Sealing kit FLEX		6897 2052 0000	51.50			
Bath Sound absorbing set		6876 7573 0000	47.00			
Installation tape WES 130 For sound insulation and separation between the bottom edge of the product and the brickwork		6876 7654 0000	15.50			

OPTIONAL: SOUND SYSTEM^{•1}	Model	Order No.	Price	Alpine White (I)	Sanitary Colours (II, III)	Coord. Colours (IV)
SOUND WAVE SOUND WAVE can be used with all KALDEWEI bathtubs, except models with polystyrene support and whirl systems!	6802	5845 7613 0000	686.00			

MINI LEFT MINI STAR LEFT

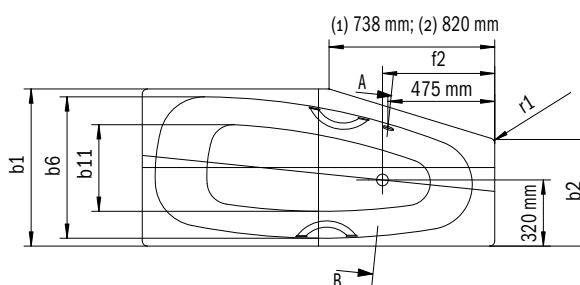
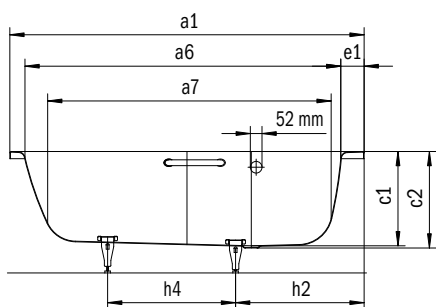
- One-seater bath with waste at foot end
- Economic water consumption thanks to its tapering interior contours
- Special shape is ideal for small bathrooms
- Also available with grips



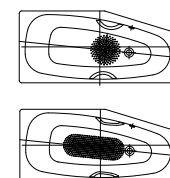
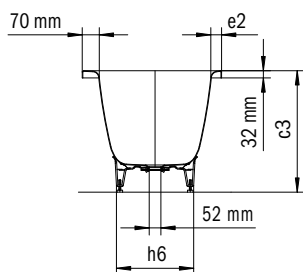
UNIVERSAL GRIP TYPE B

Similar illustration

MINI	ALPINE WHITE	BAHAMABEIGE	MANHATTAN	PERGAMON	BLACK	COORDINATED COLOURS	ALPINE WHITE MATT	WARM BEIGE 20	WARM BEIGE 40	WARM GREY 10	WARM GREY 30	WARM GREY 50	WARM GREY 60	WARM GREY 70	WARM GREY 80	WARM GREY 85	WARM GREY 90	COOL GREY 30	COOL GREY 40	COOL GREY 70	COOL GREY 80	COOL GREY 90	BLACK MATT 100
	001	030	199	231	701																		



(1) Model No.: 836, 837
(2) Model No.: 832, 833



Model	External length [mm]	Internal length (top) [mm]	Internal length (bottom) [mm]	External width [mm]	Internal width (top) [mm]	Internal width (bottom) [mm]	Depth inside [mm]	Depth incl. waste hole [mm]	Height with feet [mm]	Width of rim (foot end; long side) [mm]	Distance bath edge to centre of waste hole [mm]	Distance foot end of bath edge to centre of foot [mm]	Distance between the feet [mm]	Width of feet max. [mm]	External radius [mm]	Water volume [l]	Net weight [kg]
	a ₁	a ₆	a ₇	b ₁	b ₆	b ₁₁	c ₁	c ₂	c ₃	e ₁ ; e ₂	f ₂	h ₂	h ₄	h ₆	r ₁		
836	1570	1410	1250	700	600	360	420	430	550 - 570	100; 48	500	570	440	430	23	110	45
837	1570	1410	1250	700	600	360	420	430	550 - 570	100; 48	500	570	440	430	23	110	45
832	1570	1410	1250	750	600	360	420	430	550 - 570	100; 60	500	570	490	430	23	110	52
833	1570	1410	1250	750	600	360	420	430	550 - 570	100; 60	500	570	490	430	23	110	52

	Model	Order No.	Dimensions (mm)	Alpine White (I)	Sanitary Colours (II, III)	Coord. Colours (IV)	EUR
MINI LEFT	836	2252 0001 xxxx	1570 x 700 x 420	841.00	1,093.00		
	832	2248 0001 xxxx	1570 x 750 x 420	841.00	1,093.00		
MINI STAR LEFT for mounting grips, grips subject to surcharge	837	2253 0001 xxxx	1570 x 700 x 420	841.00	1,093.00		
	833	2249 0001 xxxx	1570 x 750 x 420	841.00	1,093.00		

OPTIONAL: SURFACE FINISHES	Model	Order No.	Price	Alpine White (I)	Sanitary Colours (II, III)	Coord. Colours (IV)
INVISIBLE GRIP Almost invisible slip resistance on the standing surface. Cannot be combined with easy-clean finish		xxxxxxxx1xxx		167.50		
Easy-clean finish		xxxxxxxx3xxx		94.00	94.00	
Full anti-slip				191.00	191.00	
Partial anti-slip				101.00	101.00	

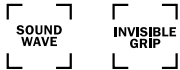
OPTIONAL: INFLOW/OUTFLOW TECHNOLOGY^{•1}	Model	Order No.	Price	Alpine White (I)	Sanitary Colours (II, III)	Coord. Colours (IV)
COMFORT LEVEL extended alpine white	KA 4002	6877 7249 0001		228.00		
black matt 100		6877 7234 0676				251.00
chrome		6877 7234 0999	228.00			
COMFORT LEVEL PLUS extended with integrated filling function	KA 4012					
alpine white		6877 7251 0001		537.00		
black matt 100		6877 7238 0676				591.00
chrome		6877 7238 0999	537.00			
Waste and overflow fitting extended chrome	4078	6877 7141 0999	92.00			

OPTIONAL: INSTALLATION^{•1}	Model	Order No.	Price	Alpine White (I)	Sanitary Colours (II, III)	Coord. Colours (IV)
Bathtub installation set includes everything for professional installation including universal waste and overflow set and bath pedestal 5030/5032	BIS 5041	6876 7649 0000	234.00			
Bathtub installation set includes everything for professional installation including bath pedestal 5030/5032	BIS 5043	6876 7651 0000	162.00			
Pedestal ALLROUND 5030		5814 7000 0000	47.00			
Wall anchor		6876 7513 0000	25.50			
Universal grip type B alpine white		5877 7000 0001		319.00		
chrome		5877 7000 0999	215.50			
gold		5877 7020 0998	762.00			
manhattan		5877 7000 0199			319.00	
matt chrome		5877 7080 0996	506.00			
pergamon		5877 7000 0231			319.00	
polished brass		5877 7070 0997	506.00			
Sealing kit FLEX		6897 2052 0000	51.50			
Bath Sound absorbing set		6876 7573 0000	47.00			
Installation tape WES 130 For sound insulation and separation between the bottom edge of the product and the brickwork		6876 7654 0000	15.50			

OPTIONAL: SOUND SYSTEM^{•1}	Model	Order No.	Price	Alpine White (I)	Sanitary Colours (II, III)	Coord. Colours (IV)
SOUND WAVE SOUND WAVE can be used with all KALDEWEI bathtubs, except models with polystyrene support and whirl systems!	6802	5845 7613 0000	686.00			

MINI RIGHT MINI STAR RIGHT

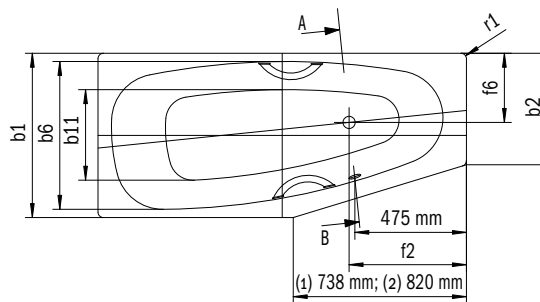
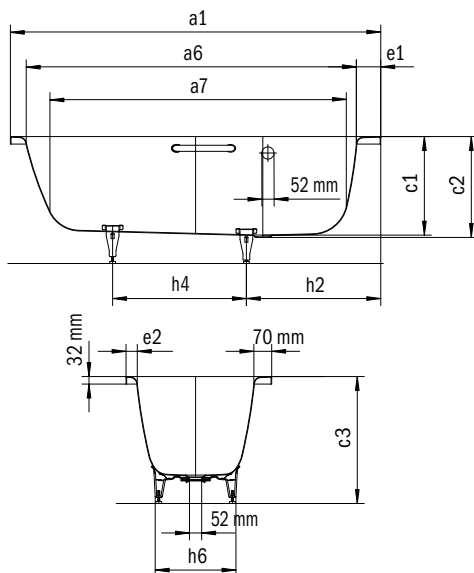
- One-seater bath with waste at foot end
- Economic water consumption thanks to its tapering interior contours
- Special shape is ideal for small bathrooms
- Also available with grips



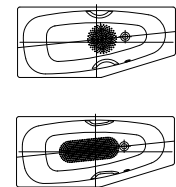
UNIVERSAL GRIP TYPE B

Similar illustration

MINI	ALPINE WHITE	BAHAMABEIGE	MANHATTAN	PERGAMON	BLACK	COORDINATED COLOURS	ALPINE WHITE MATT	WARM BEIGE 20	WARM BEIGE 40	WARM GREY 10	WARM GREY 30	WARM GREY 50	WARM GREY 60	WARM GREY 70	WARM GREY 80	WARM GREY 85	WARM GREY 90	COOL GREY 30	COOL GREY 40	COOL GREY 70	COOL GREY 80	COOL GREY 90	BLACK MATT 100
	001	SANITARY COLOURS	030	199	231		701																



(1) Model No.: 834, 835
(2) Model No.: 830, 831



Model	External length [mm]	Internal length (top) [mm]	Internal length (bottom) [mm]	External width [mm]	Internal width (top) [mm]	Internal width (bottom) [mm]	Depth inside [mm]	Depth incl. waste hole [mm]	Height with feet [mm]	Width of rim (foot end; long side) [mm]	Distance bath edge to centre of waste hole [mm]	Distance foot end of bath edge to centre of foot [mm]	Distance between the feet [mm]	Width of feet max. [mm]	External radius [mm]	Water volume [l]	Net weight [kg]
	a ₁	a ₆	a ₇	b ₁	b ₆	b ₁₁	c ₁	c ₂	c ₃	e ₁ ; e ₂	f ₂	h ₂	h ₄	h ₆	r ₁		
834	1570	1410	1250	700	600	360	420	430	550 - 570	100; 48	500	570	440	430	23	110	45
835	1570	1410	1250	700	600	360	420	430	550 - 570	100; 48	500	570	440	430	23	110	45
830	1570	1410	1250	750	600	360	420	430	550 - 570	100; 60	500	570	490	430	23	110	52
831	1570	1410	1250	750	600	360	420	430	550 - 570	100; 60	500	570	490	430	23	110	52

	Model	Order No.	Dimensions (mm)	Alpine White (I)	Sanitary Colours (II, III)	Coord. Colours (IV)	EUR
MINI RIGHT	834	2244 0001 xxxx	1570 x 700 x 420	841.00	1,093.00		
	830	2246 0001 xxxx	1570 x 750 x 420	841.00	1,093.00		
MINI STAR RIGHT for mounting grips, grips subject to surcharge	835	2245 0001 xxxx	1570 x 700 x 420	841.00	1,093.00		
	831	2247 0001 xxxx	1570 x 750 x 420	841.00	1,093.00		

OPTIONAL: SURFACE FINISHES	Model	Order No.	Price	Alpine White (I)	Sanitary Colours (II, III)	Coord. Colours (IV)
INVISIBLE GRIP Almost invisible slip resistance on the standing surface. Cannot be combined with easy-clean finish		xxxxxxxx1xxx		167.50		
Easy-clean finish		xxxxxxxx3xxx		94.00	94.00	
Full anti-slip				191.00	191.00	
Partial anti-slip				101.00	101.00	

OPTIONAL: INFLOW/OUTFLOW TECHNOLOGY^{•1}	Model	Order No.	Price	Alpine White (I)	Sanitary Colours (II, III)	Coord. Colours (IV)
COMFORT LEVEL extended alpine white	KA 4002	6877 7249 0001		228.00		
black matt 100		6877 7234 0676				251.00
chrome		6877 7234 0999	228.00			
COMFORT LEVEL PLUS extended with integrated filling function	KA 4012					
alpine white		6877 7251 0001		537.00		
black matt 100		6877 7238 0676				591.00
chrome		6877 7238 0999	537.00			
Waste and overflow fitting extended chrome	4078	6877 7141 0999	92.00			

OPTIONAL: INSTALLATION^{•1}	Model	Order No.	Price	Alpine White (I)	Sanitary Colours (II, III)	Coord. Colours (IV)
Bathtub installation set includes everything for professional installation including universal waste and overflow set and bath pedestal 5030/5032	BIS 5041	6876 7649 0000	234.00			
Bathtub installation set includes everything for professional installation including bath pedestal 5030/5032	BIS 5043	6876 7651 0000	162.00			
Pedestal ALLROUND 5030		5814 7000 0000	47.00			
Wall anchor		6876 7513 0000	25.50			
Universal grip type B alpine white		5877 7000 0001		319.00		
chrome		5877 7000 0999	215.50			
gold		5877 7020 0998	762.00			
manhattan		5877 7000 0199			319.00	
matt chrome		5877 7080 0996	506.00			
pergamon		5877 7000 0231			319.00	
polished brass		5877 7070 0997	506.00			
Sealing kit FLEX		6897 2052 0000	51.50			
Bath Sound absorbing set		6876 7573 0000	47.00			
Installation tape WES 130 For sound insulation and separation between the bottom edge of the product and the brickwork		6876 7654 0000	15.50			

OPTIONAL: SOUND SYSTEM^{•1}	Model	Order No.	Price	Alpine White (I)	Sanitary Colours (II, III)	Coord. Colours (IV)
SOUND WAVE SOUND WAVE can be used with all KALDEWEI bathtubs, except models with polystyrene support and whirl systems!	6802	5845 7613 0000	686.00			

SANIFORM

SANIFORM STAR

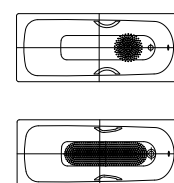
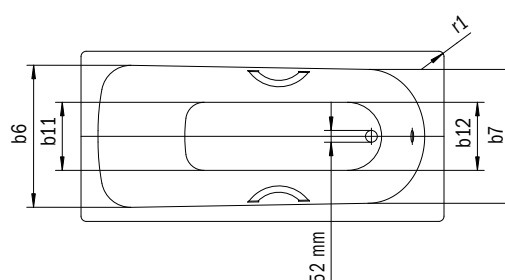
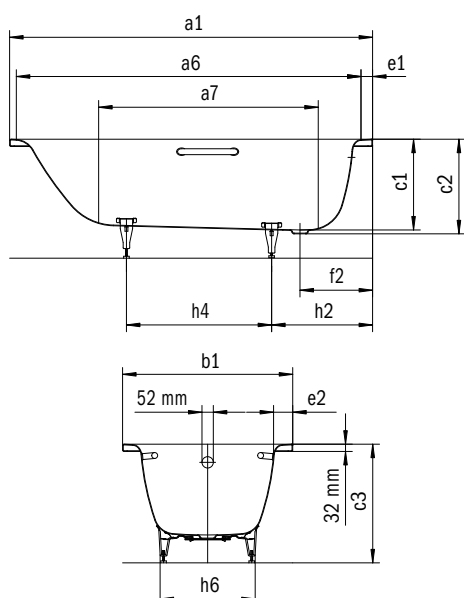
- Single-seat bath with waste positioned at the foot end
- Classic four-cornered model
- Also available with grips



UNIVERSAL GRIP TYPE A

Similar illustration

SANIFORM	ALPINE WHITE	BAHAMABEIGE	MANHATTAN	PERGAMON	BLACK	COORDINATED COLOURS	ALPINE WHITE MATT	WARM BEIGE 20	WARM BEIGE 40	WARM GREY 10	WARM GREY 30	WARM GREY 50	WARM GREY 60	WARM GREY 70	WARM GREY 80	WARM GREY 85	WARM GREY 90	COOL GREY 30	COOL GREY 40	COOL GREY 70	COOL GREY 80	COOL GREY 90	BLACK MATT 100
	001	SANITARY COLOURS	030	199	231		701																



Model	External length [mm]	Internal length (top) [mm]	Internal length (bottom) [mm]	External width [mm]	Internal width (top) [mm]	Internal width (bottom) [mm]	Depth inside [mm]	Depth incl. waste hole [mm]	Height with feet [mm]	Width of rim (foot end) [mm]	Distance bath edge to centre of waste hole [mm]	Distance foot end of bath edge to centre of foot [mm]	Distance between the feet [mm]	Width of feet max. [mm]	External radius [mm]	Water volume [l]	Net weight [kg]
	a ₁	a ₆	a ₇	b ₁	b ₆	b ₁₁	c ₁	c ₂	c ₃	e ₁	f ₂	h ₂	h ₄	h ₆	r ₁		
245	1700	1520	1260	700	560	460	305	315	450 - 470	95	295	415	800	455	23	53	44
246	1700	1520	1260	700	560	460	305	315	450 - 470	95	295	415	800	455	23	53	44

	Model	Order No.	Dimensions (mm)	Alpine White (I)	Sanitary Colours (II, III)	EUR Coord. Colours (IV)
SANIFORM	374	1122 0001 xxxx	1750 x 750 x 420	690.00	895.00	
SANIFORM STAR	338	1338 0001 xxxx	1750 x 750 x 420	744.00	967.00	

for mounting grips, grips subject to surcharge

OPTIONAL: SURFACE FINISHES	Model	Order No.	Price	Alpine White (I)	Sanitary Colours (II, III)	Coord. Colours (IV)
INVISIBLE GRIP Almost invisible slip resistance on the standing surface. Cannot be combined with easy-clean finish		xxxxxxx1xxx		167.50		
Easy-clean finish		xxxxxxx3xxx		94.00	94.00	
Full anti-slip				191.00	191.00	
Partial anti-slip				101.00	101.00	

OPTIONAL: INFLOW/OUTFLOW TECHNOLOGY^{•1}	Model	Order No.	Price	Alpine White (I)	Sanitary Colours (II, III)	Coord. Colours (IV)
COMFORT LEVEL standard	KA 4001					
alpine white		6877 7248 0001		193.00		
black matt 100		6877 7233 0676				211.50
chrome		6877 7233 0999	193.00			
Waste and overflow fitting standard	4077	6877 7140 0999	86.50			
chrome						

OPTIONAL: INSTALLATION^{•1}	Model	Order No.	Price	Alpine White (I)	Sanitary Colours (II, III)	Coord. Colours (IV)
Bathtub installation set includes everything for professional installation including universal waste and overflow set and bath pedestal 5030/5032	BIS 5041	6876 7649 0000	234.00			
Bathtub installation set includes everything for professional installation including bath pedestal 5030/5032	BIS 5043	6876 7651 0000	162.00			
Pedestal ALLROUND 5030		5814 7000 0000	47.00			
Wall anchor		6876 7513 0000	25.50			
Universal grip type A						
alpine white		5876 7000 0001		319.00		
black matt 100		5876 7000 0676				319.00
chrome		5876 7000 0999	215.50			
gold		5876 7020 0998	762.00			
manhattan		5876 7000 199			319.00	
matt chrome		5876 7080 0996	506.00			
pergamon		5876 7000 0231			319.00	
polished brass		5876 7070 0997	506.00			
Sealing kit FLEX		6897 2052 0000	51.50			
Bath Sound absorbing set		6876 7573 0000	47.00			
Installation tape WES 130 For sound insulation and separation between the bottom edge of the product and the brickwork		6876 7654 0000	15.50			

OPTIONAL: SOUND SYSTEM^{•1}	Model	Order No.	Price	Alpine White (I)	Sanitary Colours (II, III)	Coord. Colours (IV)
SOUND WAVE SOUND WAVE can be used with all KALDEWEI bathtubs, except models with polystyrene support and whirl systems!	6802	5845 7613 0000	686.00			

SANIFORM PLUS SANIFORM PLUS STAR

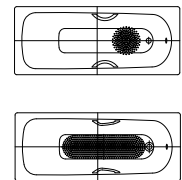
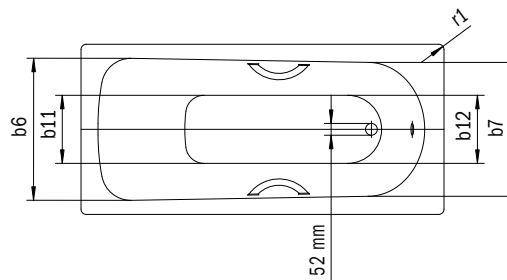
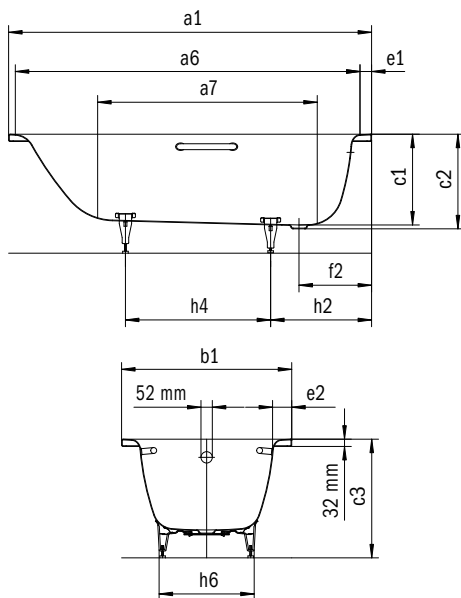
- Single-seat bath with waste positioned at the foot end
- Classic four-cornered model
- Also available with grips



UNIVERSAL GRIP TYPE A

Similar illustration

	ALPINE WHITE	BAHAMABEIGE	MANHATTAN	PERGAMON	BLACK	COORDINATED COLOURS	ALPINE WHITE MATT	WARM BEIGE 20	WARM BEIGE 40	WARM GREY 10	WARM GREY 30	WARM GREY 50	WARM GREY 60	WARM GREY 70	WARM GREY 80	WARM GREY 85	WARM GREY 90	COOL GREY 30	COOL GREY 40	COOL GREY 70	COOL GREY 80	COOL GREY 90	BLACK MATT 100	
SANIFORM (STAR)	001	030	199	231	701																			



Model	External length [mm]	Internal length (top) [mm]	Internal length (bottom) [mm]	External width [mm]	Internal width (top) [mm]	Internal width (bottom) [mm]	Depth inside [mm]	Depth incl. waste hole [mm]	Height with feet [mm]	Width of rim (foot end; long side) [mm]	Distance bath edge to centre of waste hole [mm]	Distance foot end of bath edge to centre of foot [mm]	Distance between the feet [mm]	Width of feet max. [mm]	External radius [mm]	Water volume [l]	Net weight [kg]
	a ₁	a ₆	a ₇	b ₁	b ₆	b ₁₁	c ₁	c ₂	c ₃	e ₁ ; e ₂	f ₂	h ₂	h ₄	h ₆	r ₁		
338	1750	1630	1200	750	630	430	420	430	565 - 580	60; 55	285	450	640	430	23	145	48
374	1750	1630	1200	750	630	430	420	430	565 - 580	60; 55	285	450	640	430	23	145	48

	Model	Order No.	Dimensions (mm)	Alpine White (I)	Sanitary Colours (II, III)	EUR Coord. Colours (IV)
SANIFORM PLUS	360-1	1115 0001 xxxx	1400 x 700 x 400	481.00	625.00	
	366	1137 0001 xxxx	1400 x 750 x 470	827.00	1,073.00	
	361-1	1116 0001 xxxx	1500 x 700 x 400	481.00	625.00	
	362-1	1117 0001 xxxx	1600 x 700 x 400	383.00	497.00	
	372-1	1125 0001 xxxx	1600 x 750 x 400	397.00	517.00	
	367	1138 0001 xxxx	1600 x 750 x 470	778.00	1,010.00	
	363-1	1118 0001 xxxx	1700 x 700 x 400	398.00	519.00	
	371-1	1129 0001 xxxx	1700 x 730 x 400	368.00	479.00	
	373-1	1126 0001 xxxx	1700 x 750 x 400	383.00	497.00	
	375-1	1128 0001 xxxx	1800 x 800 x 420	614.00	800.00	
	SANIFORM PLUS STAR for mounting grips, grips subject to surcharge	330	1330 0001 xxxx	1400 x 700 x 400	522.00	677.00
344		1344 0001 xxxx	1400 x 750 x 470	879.00	1,142.00	
331		1331 0001 xxxx	1500 x 700 x 400	522.00	677.00	
332		1332 0001 xxxx	1600 x 700 x 400	456.00	591.00	
333		1333 0001 xxxx	1600 x 750 x 400	447.00	580.00	
345		1345 0001 xxxx	1600 x 750 x 470	830.00	1,079.00	
335		1335 0001 xxxx	1700 x 700 x 400	459.00	596.00	
334		1334 0001 xxxx	1700 x 730 x 400	417.00	542.00	
336		1336 0001 xxxx	1700 x 750 x 400	456.00	591.00	
337		1337 0001 xxxx	1800 x 800 x 420	666.00	866.00	

OPTIONAL: SURFACE FINISHES	Model	Order No.	Price	Alpine White (I)	Sanitary Colours (II, III)	Coord. Colours (IV)
INVISIBLE GRIP Almost invisible slip resistance on the standing surface. Cannot be combined with easy-clean finish		xxxxxxx1xxx		167.50		
Easy-clean finish		xxxxxxx3xxx		94.00	94.00	
Full anti-slip				191.00	191.00	
Partial anti-slip				101.00	101.00	

OPTIONAL: INFLOW/OUTFLOW TECHNOLOGY^{•1}	Model	Order No.	Price	Alpine White (I)	Sanitary Colours (II, III)	Coord. Colours (IV)
COMFORT LEVEL standard	KA 4001					
alpine white		6877 7248 0001		193.00		
black matt 100		6877 7233 0676				211.50
chrome		6877 7233 0999	193.00			
Waste and overflow fitting standard	4077	6877 7140 0999	86.50			
chrome						

OPTIONAL: INSTALLATION^{•1}	Model	Order No.	Price	Alpine White (I)	Sanitary Colours (II, III)	Coord. Colours (IV)
Bathtub installation set includes everything for professional installation including universal waste and overflow set and bath pedestal 5030/5032	BIS 5041	6876 7649 0000	234.00			
Bathtub installation set includes everything for professional installation including bath pedestal 5030/5032	BIS 5043	6876 7651 0000	162.00			
Pedestal ALLROUND 5030		5814 7000 0000	47.00			
Wall anchor		6876 7513 0000	25.50			

OPTIONAL: INSTALLATION •¹	Model	Order No.	Price	Alpine White (I)	Sanitary Colours (II, III)	Coord. Colours (IV)
Universal grip type A						
alpine white		587670000001		319.00		
black matt 100		587670000676				319.00
chrome		587670000999	215.50			
gold		587670200998	762.00			
matt chrome		587670800996	506.00			
pergamon		587670000231				319.00
polished brass		587670700997	506.00			
Sealing kit FLEX		689720520000	51.50			
Bath Sound absorbing set		687675730000	47.00			
Installation tape WES 130		687676540000	15.50			
For sound insulation and separation between the bottom edge of the product and the brickwork						

OPTIONAL: SOUND SYSTEM •¹	Model	Order No.	Price	Alpine White (I)	Sanitary Colours (II, III)	Coord. Colours (IV)
SOUND WAVE	6802	584576130000	686.00			
SOUND WAVE can be used with all KALDEWEI bathtubs, except models with polystyrene support and whirl systems!						



SANIFORM V1-V4

SANIFORM V1-V4 STAR



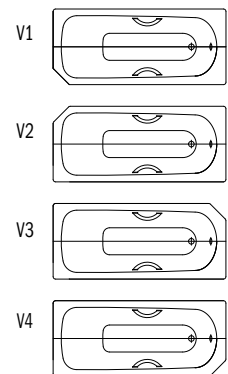
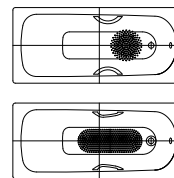
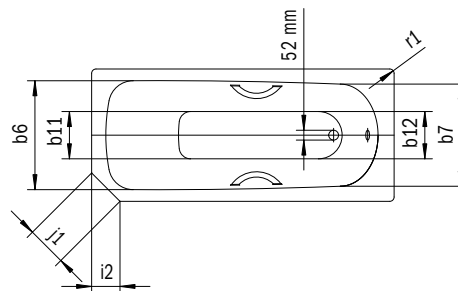
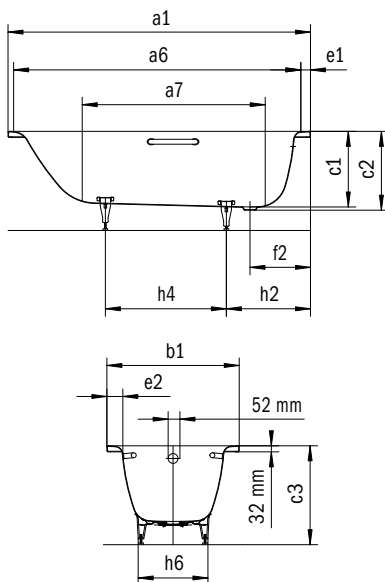
- Single-seat bath with waste positioned at the foot end
- Classic four-cornered model
- Also available with grips
- With cut corner for optimal use of space



UNIVERSAL GRIP TYPE A

Similar illustration

SANIFORM V1-V4 (STAR)	ALPINE WHITE	BAHAMABEIGE	MANHATTAN	PERGAMON	BLACK	COORDINATED COLOURS	ALPINE WHITE MATT	WARM BEIGE 20	WARM BEIGE 40	WARM GREY 10	WARM GREY 30	WARM GREY 50	WARM GREY 60	WARM GREY 70	WARM GREY 80	WARM GREY 85	WARM GREY 90	COOL GREY 30	COOL GREY 40	COOL GREY 70	COOL GREY 80	COOL GREY 90	BLACK MATT 100
	001	030	199	231	701																		



Model	External length [mm]	Internal length (top) [mm]	Internal length (bottom) [mm]	External width [mm]	Internal width (top) [mm]	Internal width (bottom) [mm]	Depth inside [mm]	Depth incl. waste hole [mm]	Height with feet [mm]	Width of rim (foot end; long side) [mm]	Distance bath edge to centre of waste hole [mm]	Distance foot end of bath edge to centre of foot [mm]	Distance between the feet [mm]	Width of feet max. [mm]	External radius [mm]	Water volume [l]	Net weight [kg]
	a ₁	a ₆	a ₇	b ₁	b ₆	b ₁₁	c ₁	c ₂	c ₃	e ₁ ; e ₂	f ₂	h ₂	h ₄	h ₆	r ₁		
362	1600	1430	1050	700	550	390	400	410	545 - 560	70; 75	310	453	600	380	8	93	39
332	1600	1430	1050	700	550	390	400	410	545 - 560	70; 75	310	453	600	380	8	93	40

	Model	Order No.	Dimensions (mm)	Alpine White (I)	Sanitary Colours (II, III)	Coord. Colours (IV)	EUR
SANIFORM V1-V4	362-1 V1	1921 0001 xxxx	1600 x 700 x 400	548.00	713.00		
	362-1 V2	1922 0001 xxxx	1600 x 700 x 400	548.00	713.00		
	362-1 V3	1923 0001 xxxx	1600 x 700 x 400	548.00	713.00		
	362-1 V4	1924 0001 xxxx	1600 x 700 x 400	548.00	713.00		
SANIFORM V1-V4 STAR for mounting grips, grips subject to surcharge	332 V1	1340 0001 xxxx	1600 x 700 x 400	602.00	780.00		
	332 V2	1341 0001 xxxx	1600 x 700 x 400	602.00	780.00		
	332 V3	1342 0001 xxxx	1600 x 700 x 400	602.00	780.00		
	332 V4	1343 0001 xxxx	1600 x 700 x 400	602.00	780.00		

OPTIONAL: SURFACE FINISHES	Model	Order No.	Price	Alpine White (I)	Sanitary Colours (II, III)	Coord. Colours (IV)
INVISIBLE GRIP Almost invisible slip resistance on the standing surface. Cannot be combined		xxxxxxxx1xxx		167.50		
Easy-clean finish		xxxxxxxx3xxx		94.00	94.00	
Full anti-slip				191.00	191.00	
Partial anti-slip				101.00	101.00	

OPTIONAL: INFLOW/OUTFLOW TECHNOLOGY^{•1}	Model	Order No.	Price	Alpine White (I)	Sanitary Colours (II, III)	Coord. Colours (IV)
COMFORT LEVEL standard alpine white black matt 100 chrome	KA 4001	6877 7248 0001		193.00		
		6877 7233 0676				211.50
		6877 7233 0999	193.00			
Waste and overflow fitting standard chrome	4077	6877 7140 0999	86.50			

OPTIONAL: INSTALLATION^{•1}	Model	Order No.	Price	Alpine White (I)	Sanitary Colours (II, III)	Coord. Colours (IV)
Bathtub installation set includes everything for professional installation including universal waste and overflow set and bath pedestal 5030/5032	BIS 5041	6876 7649 0000	234.00			
Bathtub installation set includes everything for professional installation including bath pedestal 5030/5032	BIS 5043	6876 7651 0000	162.00			
Pedestal ALLROUND 5030		5814 7000 0000	47.00			
Wall anchor		6876 7513 0000	25.50			
Universal grip type A alpine white black matt 100 chrome gold matt chrome pergamon polished brass		5876 7000 0001 5876 7000 0676 5876 7000 0999 5876 7020 0998 5876 7080 0996 5876 7000 0231 5876 7070 0997		319.00		319.00
Sealing kit FLEX		6897 2052 0000	51.50			
Bath Sound absorbing set		6876 7573 0000	47.00			
Installation tape WES 130 For sound insulation and separation between the bottom edge of the product and the brickwork		6876 7654 0000	15.50			

OPTIONAL: SOUND SYSTEM^{•1}	Model	Order No.	Price	Alpine White (I)	Sanitary Colours (II, III)	Coord. Colours (IV)
SOUND WAVE SOUND WAVE can be used with all KALDEWEI bathtubs, except models with polystyrene support and whirl systems!	6802	5845 7613 0000	686.00			

BATH SYSTEM OVERVIEW

	MEISTERSTÜCKE ¹						FREE-STANDING			AVANTGARDE						
	CENTRO DUO 1 / 2	CENTRO DUO OVAL	CLASSIC DUO OVAL ¹	CONODUO 1 / 2	CONODUO	OYO DUO ¹	CLASSIC DUO OVAL	CONODUO	ELLIPSO DUO OVAL	ASYMMETRIC DUO	CENTRO DUO / 1 / 2	CENTRO DUO OVAL	CONODUO	ELLIPSO DUO	ELLIPSO DUO OVAL	PLAZA DUO (L/R)
SURFACES																
INVISIBLE GRIP	•	•	•	•	•	•	•	•	•	•	•	•	•	•	•	•
Easy-clean finish	•	•	•	•	•	•	•	•	•	•	•	•	•	•	•	•
Anti-slip and Full anti-slip	•	•	•	•	•	•	•	•	•	•	•	•	•	•	•	•
INFLOW/OUTFLOW TECHNOLOGY																
COMFORT LEVEL KA 4001																
COMFORT LEVEL KA 4002			• ⁴				•									•
COMFORT LEVEL KA 4011																
COMFORT LEVEL KA 4012			•				•									•
Special waste and overflow fitting KA 4040 (factory fitted at MST)	•	•							•		•	•		•	•	
Special waste and overflow fitting KA 4060 (factory fitted at MST)									•							
Special waste and overflow fitting KA 4080 (factory fitted at MST)				•	•			•				•				
Special waste and overflow fitting KA 4041 (factory fitted at MST)	•	•							•		•	•		•	•	
Special waste and overflow fitting KA 4061 (factory fitted at MST)				•	•				•				•			
Special waste and overflow fitting KA 4081 (factory fitted at MST)				•	•			•					•			
Waste and overflow fitting 4077																•
Waste and overflow fitting 4078																
Waterfall bath inlet 5875 ²									•	•	•	•				•
Waterfall bath inlet with integrated overflow 5975																•
OYO DUO push-to-open overflow						•										
Shower hose 8880 external	•			•						•	•		•	•		•
Shower hose 8890 retractable		•			•							•	•			
DESIGN GRIPS																
Griff Discreet Oplulenz AVANTGARDE									•		•	•		•	•	
Griff Discreet Oplulenz AMBIENTE							•									
Griff Elegant Purism AVANTGARDE								•		•			•			•
Griff Elegant Purism AMBIENTE													•			
Griff DYNA SET STAR																
Universal grip type A																
Universal grip type B																
INSTALLATION																
Bathtub installation set BIS 5041																
Bathtub installation set BIS 5042																•
Bathtub installation set BIS 5043										•		•				
Bathtub installation set BIS 5044									•			•	•	•	•	
Pedestal ALLROUND 5030							•			•	•					
Special pedestal Mod. 5032							•			•	•					
Special pedestal Mod. 5037								•		•		•	•	•	•	•
WATERPROOF																
Sealing kit FLEX										•	•		•	•		•
SILENCE PLUS																
Bath sound insulating set (BWS/BWS PLUS)										•	•	•	•	•	•	•
Bath sound-absorbing set (BWS-ADS)							•	•	•	•	•	•	•	•	•	•
Connection sound insulation strip (WAS 70)										•	•	•	•	•	•	•
Installation tape WES 130							•	•	•	•	•	•	•	•	•	•
KALDEWEI SPA																
SKIN TOUCH										•	•	•	•	•	•	•
SKIN TOUCH emotion	•	•								•	•	•	•	•	•	•
WELLNESS-SYSTEMS		•	•	•	•		•	•		•	•	•	•	•	•	•
OTHER ACCESSORIES																
Wall anchor										•	•	•	•	•	•	•
Drill holes	•	•	•	•	•		•	•	•	•	•	•	•	•	•	•
Sound Wave	•	•	•	•	•	•	•	•		•	•	•	•	•	•	•
Lighting set	•	•	•	•	•		•	•	•	•	•	•	•	•	•	•

1. Factory fitted sound absorbing pads on all Meisterstück baths. Easy-clean finish is included with Meisterstück baths (except for CLASSIC DUO OVAL and OYO DUO).

2. Only for the size 1900 x 900 mm

3. Only for the size 1800 x 800 mm

4. factory fitted or possible as an extra

	AMBIENTE										ADVANTAGE						
	CLASSIC DUO	CLASSIC DUO OVAL	DYNA SET / STAR	PURO / STAR	PURO / PURO STAR Seiti.	PURO DUO / SET WIDE (L/R)	SILENIO	VAIO / VAIO STAR / VAIO DUO	VAIO DUO 6 / 8 / OVAL	VAIO SET / STAR	VAIO 6 / 6 STAR	CAYONO / STAR	CAYONO DUO	MINI / STAR / LINKS / RECHTS	SANIFORM / STAR	SANIFORM PLUS / PLUS STAR	SANIFORM V1-V4 / V1-V4 STAR
SURFACES																	
INVISIBLE GRIP	•	•	•	•	•	•	•	•	•	•	•	•	•	•	•	•	•
Easy-clean finish	•	•	•	•	•	•	•	•	•	•	•	•	•	•	•	•	•
Anti-slip and Full anti-slip	•	•	•	•	•	•	•	•	•	•	•	•	•	•	•	•	•
INFLOW/OUTFLOW TECHNOLOGY																	
COMFORT LEVEL KA 4001			•	•								•			•	•	•
COMFORT LEVEL KA 4002	•	•			•	•	•	•	•	•	•		•	•			
COMFORT LEVEL KA 4011			•	•								•					
COMFORT LEVEL KA 4012	•	•			•	•	•						•	•			
Special waste and overflow fitting KA 4040 (factory fitted at MST)																	
Special waste and overflow fitting KA 4060 (factory fitted at MST)																	
Special waste and overflow fitting KA 4080 (factory fitted at MST)																	
Special waste and overflow fitting KA 4041 (factory fitted at MST)																	
Special waste and overflow fitting KA 4061 (factory fitted at MST)																	
Special waste and overflow fitting KA 4081 (factory fitted at MST)																	
Waste and overflow fitting 4077			•	•											•	•	•
Waste and overflow fitting 4078					•	•	•	•	•	•	•		•	•			
Waterfall bath inlet 5875 ²	•	•		•	•	•											
Waterfall bath inlet with integrated overflow 5975	•	•		•	•	•											
OYO DUO push-to-open overflow																	
Shower hose 8880 external	•			•	•	•		•	•	•	•						
Shower hose 8890 retractable																	
DESIGN GRIPS																	
Griff Discreet Oplulenz AVANTGARDE																	
Griff Discreet Oplulenz AMBIENTE	•	•					•	•	•	•	•						
Griff Elegant Purism AVANTGARDE																	
Griff Elegant Purism AMBIENTE				•	•	•											
Griff DYNA SET STAR			•														
Universal grip type A												•	•		•	•	•
Universal grip type B													•				
INSTALLATION																	
Bathtub installation set BIS 5041	•	•	•					•	•	•	•	•	•	•	•	•	•
Bathtub installation set BIS 5042	• ²			•	•	•	•				•	• ³	•				
Bathtub installation set BIS 5043																	
Bathtub installation set BIS 5044																	
Pedestal ALLROUND 5030	•	•	•					•	•	•		•		•	•	•	•
Special pedestal Mod. 5032	•	•															
Special pedestal Mod. 5037	•			•	•	•	•				•	•	•				
WATERPROOF																	
Sealing kit FLEX	•		•	•	•		•	•		•		•	•	•	•	•	•
SILENCE PLUS																	
Bath sound insulating set (BWS/BWS PLUS)	•	•	•	•	•	•	•	•	•	•	•	•	•	•	•	•	•
Bath sound-absorbing set (BWS-ADS)	•	•	•	•	•	•	•	•	•	•	•	•	•	•	•	•	•
Connection sound insulation strip (WAS 70)	•	•	•	•	•	•	•	•	•	•	•	•	•	•	•	•	•
Installation tape WES 130	•	•	•	•	•	•	•	•	•	•	•	•	•	•	•	•	•
KALDEWEI SPA																	
SKIN TOUCH	•	•	•	•	•	•	•										
SKIN TOUCH emotion	•	•	•	•	•	•	•										
WELLNESS-SYSTEMS	•	•		•	•	•		•	•			•	•		•	•	•
OTHER ACCESSORIES																	
Wall anchor	•	•	•	•	•	•	•	•	•	•	•	•	•	•	•	•	•
Drill holes	•	•	•	•	•	•	•	•	•	•	•	•	•	•	•	•	•
Sound Wave	•	•	•	•	•	•	•	•	•	•	•	•	•	•	•	•	•
Lighting set	•	•	•	•	•	•	•	•	•	•	•	•	•	•	•	•	•

INFLOW/OUTFLOW TECHNOLOGY

WATERFALL BATH INLET



WATERFALL BATH INLET

Waterfall bath inlet

- A special bathing experience thanks to the unique water inlet
- Undisturbed bathing enjoyment thanks to a fully integrated solution
- Opens when the water supply is turned on and creates a steady waterfall effect
- Connection fitting is not included in delivery
- Connection thread 1/2" at the waterfall bath inlet
- **WARNING!** Special design bathtub required. A special drill hole (standard positioning) on the bathtub, which is already included in the price of the accessories, is required to install the waterfall bath inlet. The waterfall bath inlet must be ordered in the same procedure with the associated bathtub
- Please note the positioning of the waterfall bath inlet! More information can be obtained by telephone: +49 2382 785 777 or at www.kaldewei.de

Model	Order No.	Price	EUR		
			Alpine White (I)	Sanitary Colours (II, III)	Coord. Colours (IV)
Waterfall bath inlet					
The waterfall bath inlet can be combined with all whirl systems, provided that they are available in combination with the above-mentioned models. The waterfall inlet functions as a water inlet. A waste and overflow fitting is also required.					
For the following models: ASYMMETRIC DUO, CENTRO DUO OVAL, CENTRO DUO 2, CENTRO DUO 1 right/left, CENTRO DUO, CLASSIC DUO OVAL, CLASSIC DUO, CONODUO, PLAZA DUO right/left, PURO (STAR), PURO (STAR) with side overflow, PURO DUO					
alpine white	587570900001	• 497.00			
manhattan	587570900199			• 497.00	
pergamon	587570900231			• 497.00	



A pipe interrupter is required for the waterfall inlet. This is not included in the scope of delivery.

WATERFALL BATH INLET WITH INTEGRATED OVERFLOW



WATERFALL BATH INLET WITH INTEGRATED OVERFLOW

Waterfall bath inlet with integrated overflow

- A special bathing experience thanks to the unique water inlet
- Undisturbed bathing enjoyment thanks to a fully integrated solution
- Opens when the water supply is turned on and creates a steady waterfall effect
- Fulfils the highest design standards
- Connection fitting is not included in delivery
- Connection thread 1/2" at the waterfall bath inlet
- Bath waste with click-clack system (push-up valve cone)
- Automatic opening and closing of the valve plug
- Drainage capacity according to DIN EN 274 of at least 0.8l/s
- **WARNING!** Special design bathtub required. A special drill hole (standard positioning) on the bathtub, which is already included in the price of the accessories, is required to install the waterfall bath inlet. The waterfall bath inlet must be ordered in the same procedure with the associated bathtub
- Please note the positioning of the waterfall bath inlet! More information can be obtained by telephone: +49 2382 785 777 or at www.kaldewei.de

	Model	Order No.	Price	Alpine White (I)	Sanitary Colours (II, III)	Coord. Colours (IV)
Waterfall bath inlet with integrated overflow						
No combination options with whirl systems.						
For the following models: CLASSIC, CLASSIC DUO OVAL, PLAZA DUO left/right, PURO (STAR) with side overflow, PURO DUO						
	alpine white	587570920001	• 587.00			
	manhattan	587570920199			• 587.00	
	pergamon	587570920231			• 587.00	



A pipe interrupter is required for the waterfall inlet with integrated overflow. This is not included in the scope of delivery.

INFLOW/OUTFLOW TECHNOLOGY

COMFORT LEVEL/COMFORT LEVEL PLUS



COMFORT LEVEL



COMFORT LEVEL PLUS

COMFORT LEVEL/COMFORT LEVEL PLUS

- Modern design of understated elegance with an extra flat overflow knob and reduced radius
- Optionally chrome-plated or coloured visible parts
- Unique setting option for the maximum amount of water using a separate operating lever, so that the filling amount can be continuously increased by up to 50 mm at any time – thereby ensuring even more bathing comfort
- Only suitable for KALDEWEI bathtubs
- COMFORT LEVEL PLUS: with practical water filling function, invisibly integrated into the overflow
- Connection filling function 1/2"
- Drainage capacity according to DIN EN 274 of at least 0.8l/s
- Connection fitting is not included in delivery
- Fitting height 90 mm

	Model	Order No.	Price	Alpine White (I)	Sanitary Colours (II, III)	Coord. Colours (IV)	EUR
COMFORT LEVEL standard	KA 4001						
alpine white		687772480001		• 193.00			
alpine white matt		687772330711				• 211.50	
black matt 100		687772330676				• 211.50	
chrome		687772330999	• 193.00				
COMFORT LEVEL extended	KA 4002						
alpine white		687772490001		• 228.00			
alpine white matt		687772340711				• 251.00	
black matt 100		687772340676				• 251.00	
chrome		687772340999	• 228.00				
COMFORT LEVEL PLUS standard	KA 4011						
with integrated filling function							
alpine white		687772500001		• 476.00			
alpine white matt		687772370711				• 522.00	
black matt 100		687772370676				• 522.00	
chrome		687772370999	• 476.00				
COMFORT LEVEL PLUS extended	KA 4012						
with integrated filling function							
alpine white		687772510001		• 537.00			
alpine white matt		687772380711				• 591.00	
black matt 100		687772380676				• 591.00	
chrome		687772380999	• 537.00				

A pipe interrupter and connection hose are required for COMFORT LEVEL PLUS. These are not included in the scope of delivery.

Models KA 4001 and KA 4011 (standard) can be used for CAYONO/CAYONO STAR, DYNA SET/DYNA SET STAR, PURO/PURO STAR, SANIFORM family (only KA 4001 possible).



The models KA 4002 and KA 4012 (extended) can be used for CLASSIC DUO, MINI/MINI STAR, PURO with side overflow/PURO STAR with side overflow. Overflow/PURO STAR with side overflow, PURO DUO, SILENIO and VAIO family (only KA 4012 possible).

INFLOW/OUTFLOW TECHNOLOGY

SPECIAL WASTE AND OVERFLOW FITTING



SPECIAL WASTE AND OVERFLOW FITTING KA 4040/KA 4041



SPECIAL WASTE AND OVERFLOW FITTING KA 4060/KA 4061



SPECIAL WASTE AND OVERFLOW FITTING KA 4080/KA 4081

Special waste and overflow fitting

- High-quality fitting with enamelled waste cover and enamelled overflow knob
- Integrates harmoniously and elegantly into the bathtub
- Puristically designed overflow – now even flatter
- Also available with integrated filling function
- Drainage capacity according to DIN EN 274 of at least 0.8l/s
- Connection filling function 3/4"
- Connection hose is not included in delivery

	Model	Order No.	Price	Alpine White (I)	Sanitary Colours (II, III)	EUR Coord. Colours (IV)
Special waste and overflow fitting	KA 4040					
with enamelled waste cover and enamelled overflow knob						
enamelled		68777208xxx	• 259.00	• 336.00	• 336.00	
enamelled INVISIBLE GRIP		687772081001	• 259.00			
Special waste and overflow fitting	KA 4041					
with integrated filling function, enamelled waste cover and overflow knob						
enamelled		68777210xxx	• 558.00	• 726.00	• 726.00	
enamelled INVISIBLE GRIP		687772101001	• 558.00			
Special waste and overflow fitting	KA 4060					
with enamelled waste cover and enamelled overflow knob						
enamelled		68777204xxx	• 259.00	• 336.00	• 336.00	
enamelled INVISIBLE GRIP		687772041001	• 259.00			
Special waste and overflow fitting	KA 4061					
with integrated filling function, enamelled waste cover and overflow knob						
enamelled		68777206xxx	• 558.00	• 726.00	• 726.00	
enamelled INVISIBLE GRIP		687772061001	• 558.00			
Special waste and overflow fitting	KA 4080					
with enamelled waste cover and enamelled overflow knob						
enamelled		68777200xxx	• 259.00	• 336.00	• 336.00	
enamelled INVISIBLE GRIP		687772001001	• 259.00			
Special waste and overflow fitting	KA 4081					
with integrated filling function, enamelled waste cover and overflow knob						
enamelled		68777202xxx	• 558.00	• 726.00	• 726.00	
enamelled INVISIBLE GRIP		687772021001	• 558.00			



For the special drain and overflow sets KA 4041, KA 4061 and KA 4081, a pipe interrupter and connection hose are required. pipe interrupter and connection hose are required. These are not included in the included.

INFLOW/OUTFLOW TECHNOLOGY

WASTE AND OVERFLOW FITTING



WASTE AND OVERFLOW FITTING
STANDARD



WASTE AND OVERFLOW FITTING
EXTENDED

Waste and overflow fitting

- Chrome visible parts
- Drainage capacity according to DIN EN 274 of at least 0.8l/s
- Removable siphon
- Fitting height 125 mm

	Model	Order No.	Price	Alpine White (I)	Sanitary Colours (II, III)	EUR Coord. Colours (IV)
Waste and overflow fitting standard chrome	4077	687771400999	• 86.50			
Waste and overflow fitting extended chrome	4078	687771410999	• 92.00			

BATHTUB ACCESSORIES

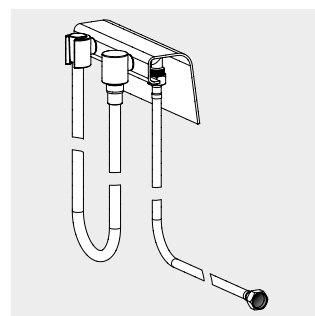
SHOWER HOSE



SHOWER HOSE 8880
RETRACTABLE



SHOWER HOSE 8890
EXTERNAL



Shower hose 8880 retractable

- The perfect system solution for installing the shower hose in the bathtub rim
- When not in use, the shower hose disappears discreetly under the rim of the bathtub
- Water droplets that flow down the hose during and after using the hand shower are hygienically and safely routed directly to the waste valve through an additional hose; so no water gets under the rim of the bathtub
- An integrated spring makes the return of the hand shower head easier
- Inlet G3/8" or G1/2", outlet G1/2" for shower head, length of shower hose: 1500 mm, useful length: 700 mm

Shower hose 8890 external

- The perfect system solution for positioning the shower hose in free-standing bathtubs
- Chrome-plated installation elements to be mounted on the side of the bathtub hold the external hose securely and comfortably directly on the bathtub
- Elegant design for the stylish staging of the bathtub
- Inlet G1/2", outlet G1/2" for shower head

	Model	Order No.	Price	Alpine White (I)	Sanitary Colours (II, III)	Coord. Colours (IV)	EUR
Shower hose, retractable Chrome look	8880	6897 2020 0999	• 424.00				
Shower hose, external Chrome look	8890	6897 2021 0999	• 494.00				



Shower head not included in delivery. Information on the positioning options can be found at www.kaldewei.de

INSTALLATION

INSTALLATIONSSETS



BATHTUB INSTALLATION SET
BIS 5041



BATHTUB INSTALLATION SET
BIS 5042



BATHTUB INSTALLATION SET
BIS 5042



BATHTUB INSTALLATION SET
BIS 5044

Bathtub installation set

- Universal system solution for installing and sealing bathtubs
- Simple, safe and quick installation of coordinated components
- Secure stand thanks to tub anchors and robust, height-adjustable tub feet
- Simple and safe assembly thanks to a sealing system from a single source
- High-quality set with chrome-plated waste cover and overflow knob, drain capacity according to DIN EN 274 of at least 0.8l/s (depending on the version)
- Including bathtub connection sound insulation tape WAS 70 and bathtub installation sound insulation tape WES 130

	Model	Order No.	Price	Alpine White (I)	Sanitary Colours (II, III)	Coord. Colours (IV)
Bathtub installation set includes everything for professional installation including universal waste and overflow set and bath pedestal 5030/5032	BIS 5041	687676490000	• 234.00			
Bathtub installation set includes everything for professional installation including universal waste and overflow set and bath pedestal 5037	BIS 5042	687676500000	• 252.00			
Bathtub installation set includes everything for professional installation including bath pedestal 5030/5032	BIS 5043	687676510000	• 162.00			
Bathtub installation set includes everything for professional installation including bath pedestal 5037	BIS 5044	687676520000	• 180.00			

INSTALLATION

LEG SET BATHTUBS/BATH SECURING DEVICE



BATHTUB ANCHOR



ALLROUND 5030 BASE



SPECIAL PEDESTAL MOD. 5032



SPECIAL PEDESTAL MOD. 5037

Bathtub anchor

- set with two sound-insulated bath anchors that can be flexibly mounted for any installation situation
- secure fixation of the bathtub or shower tray (only suitable for raised installation) on the wall
- contents: 2 piece set, sound insulated

Special pedestal

- The quick and easy installation on the factory-fitted bathtub cams guarantees a secure and stable stand
- Individually adaptable with 4 height-adjustable screw feet
- Optimum sound insulation in accordance with DIN 4109 in conjunction with the KALDEWEI sound insulating set BWS
- Various versions available for all tub types
- 4 height-adjustable feet
- Easy to install on bathtub cams

	Model	Order No.	Price	Alpine White (I)	Sanitary Colours (II, III)	Coord. Colours (IV)
Wall anchor		687675130000	• 25.50			
Pedestal ALLROUND 5030		581470000000	• 47.00			
Special pedestal Mod.5032		581670000000	• 67.00			
Special pedestal Mod.5037		583170000000	• 67.00			

INSTALLATION

ADDITIONAL CHARGE FOR REQUESTED BORE HOLES



DRILL HOLES

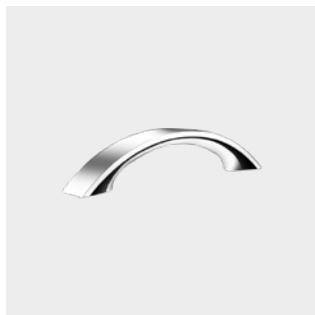
Drill holes

- Individual special drill holes on the edge of the bathtub guarantee a perfect integration of fittings and contribute to a harmonious rounding off of the overall picture of the bathroom.
- For the models 111, 127, 128, 174, 232, 676, 951, 1111, 1113, 1127 and 1128 no tap holes are possible. All other holes on request
- The surcharge applies regardless of the number of holes.
- Dimension sketch required

	Model	Order No.	Price	Alpine White (I)	Sanitary Colours (II, III)	EUR Coord. Colours (IV)
Drill holes			217.00			

DESIGN GRIPS

GRIP DISCREET OPULENCE AVANTGARDE/GRIP ELEGANT PURISM AVANTGARDE



GRIP DISCREET OPULENCE
AVANTGARDE



GRIP ELEGANT PURISM
AVANTGARDE

Grip Discreet Opulence AVANTGARDE

- Classic curved basic shape in an unusual design
- Specially tailored to the luxurious avant-garde design of various bathtub models
- The grips are available individually and as a set

Grip Elegant Purism AVANTGARDE

- Reduction to the essentials in balanced symmetry
- Specially tailored to the puristic avant-garde design of various bathtub models
- The grips are available individually and as a set

	Model	Order No.	Price	Alpine White (I)	Sanitary Colours (II, III)	EUR Coord. Colours (IV)
Grip Discreet Opulence Type A (1 grip), chrome for CENTRO DUO family		590070000999	• 283.00			
Grip Discreet Opulence Type C (1 grip), chrome for ELLIPSO DUO		590270000999	• 283.00			
Grip Elegant Purism Type A (1 grip), chrome for ASYMETRIC DUO and CONODUO		590470000999	• 283.00			
Grip Elegant Purism Type B (1 grip), chrome for PLAZA DUO		590570000999	• 283.00			

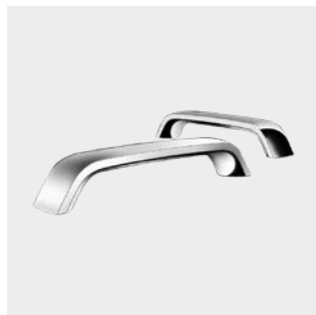


DESIGN GRIPS

GRIP DISCREET OPULENCE AMBIENTE/GRIP ELEGANT PURISM AMBIENTE



GRIP DISCREET OPULENCE
AMBIENTE



GRIP DISCREET OPULENCE
AMBIENTE



GRIP ELEGANT PURISM
AMBIENTE



GRIP ELEGANT PURISM
AMBIENTE

Grip Discreet Opulence AMBIENTE

- Soft, flowing design language in a classic design
- Specially tailored to the classic ambiente design of various bathtub models
- The grips are available individually and as a set

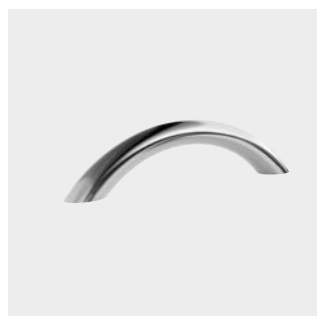
Grip Elegant Purism AMBIENTE

- Puristic, classic basic form in balanced proportions
- Specially tailored to the particularly linear ambiente design of the PURO bathtub model

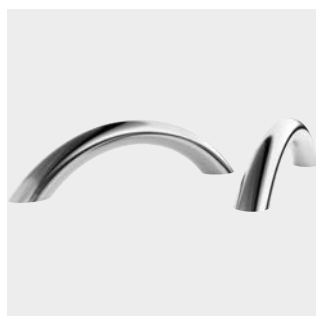
	Model	Order No.	Price	Alpine White (I)	Sanitary Colours (II, III)	EUR Coord. Colours (IV)
Grip Discreet Opulence Type A (1 grip), chrome for CLASSIC DUO (OVAL), VAIO DUO (OVAL), VAIO DUO 6 and VAIO DUO 8		59067000999	• 227.00			
Grip Discreet Opulence Type B (2 grips), chrome for VAIO STAR, VAIO 6 STAR and VAIO SET STAR		59077000999	• 339.00			
Grip Elegant Purism Type A (2 grips), chrome for SILENIO		59087000999	• 339.00			
Grip Elegant Purism Type B (1 grip), chrome for PURO STAR (with side overflow)		59097000999	• 227.00			
Grip Discreet Opulence Type C (1 grip), chrome for PURO DUO and PURO SET WIDE		59137000999	• 227.00			

UNIVERSAL GRIP/SET OF DYNA SET STAR GRIPS

UNIVERSAL GRIP TYPE A/TYP E B/SET OF DYNA SET STAR GRIPS



UNIVERSAL GRIP TYPE A



UNIVERSAL GRIP TYPE B



SET OF DYNA SET STAR GRIPS

Universal grip Type A+B

- The grips are available individually and as a set
- Assistance with getting in and out of the bathtub

Set of DYNA SET STAR grips

- Specially matched to the design of the DYNA SET bathtub models
- Assistance with getting in and out of the bathtub

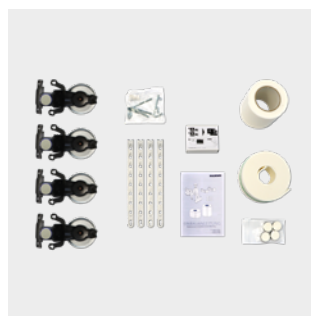
	Model	Order No.	Price	Alpine White (I)	Sanitary Colours (II, III)	Coord. Colours (IV)	EUR
Universal grip type A set							
alpine white		587670000001		• 319.00			
black matt 100		587670000676					• 319.00
chrome		587670000999	• 215.50				
gold		587670200998	• 762.00				
manhattan		587670000199				• 319.00	
matt chrome		587670800996	• 506.00				
pergamon		587670000231				• 319.00	
polished brass		587670700997	• 506.00				
Universal grip type A							
alpine white		587672000001		• 202.50			
chrome		587672000999	• 150.50				
black matt 100		587672000676					• 202.50
Universal grip type B set							
alpine white		587770000001		• 319.00			
chrome		587770000999	• 215.50				
gold		587770200998	• 762.00				
manhattan		587770000199				• 319.00	
matt chrome		587770800996	• 506.00				
pergamon		587770000231				• 319.00	
polished brass		587770700997	• 506.00				
DYNA SET STAR grips		591170000999	• 139.00				

SOUND INSULATION

BATHTUB SOUND INSULATION SET BWS/BWS PLUS



BATHTUB SOUND INSULATION
SET BWS



BATHTUB SOUND INSULATION
SET BWS PLUS

Bathtub sound insulation set BWS

- Sound-absorbing set for bathtubs, consisting of: 2x bathtub anchors (sound insulated), 1x bathtub connection sound insulation tape WAS 70, 1x bathtub installation sound insulation tape WES 130, 7x sound-absorbing pads and 1x assembly instructions
- Complies with DIN 4109 in combination with the specially sound insulated KALDEWEI feet

Bathtub sound insulation set BWS PLUS

- 2x bathtub anchors (sound insulated), 1x bathtub connection sound insulation tape WAS 70, 1x bathtub installation sound insulation tape WES 130, 4x foot decoupling elements, 1x special foot frame 5037 and 1x assembly instructions
- For the fulfilment of VDI 4100: 2012: 10, the bathtub in the SAD version (BWS Plus sound insulation set required) must be installed in addition to the BWS Plus sound insulating set. Extra surcharge for bath with special sound insulation

	Model	Order No.	Price	Alpine White (I)	Sanitary Colours (II, III)	Coord. Colours (IV)	EUR
Bathtub sound insulation set BWS		687675590000	• 130.00				
Bathtub sound insulation set BWS PLUS		687675520000	• 160.50				

SOUND INSULATION

BATHTUB SOUND-ABSORBING SET BW-ADS/WAS 70/WES 130



BATHTUB SOUND-ABSORBING SET BW-ADS



WALL SOUND INSULATION STRIP WAS 70



INSTALLATION TAPE WES 130

Bathtub sound-absorbing set BW-ADS

- Set comprising: 5x sound-absorbing pads 350 x 134 mm and 2x sound-absorbing pads 175 x 134 mm

Wall sound insulation strip WAS 70

- 1x bathtub connection sound decoupling strip WAS 70 and 1x assembly instructions

Installation tape WES 130

- For sound insulation between the lower edge of the tray and the brickwork
- Also serves as a separation between the steel enamel and the building structure

	Model	Order No.	Price	Alpine White (I)	Sanitary Colours (II, III)	Coord. Colours (IV)	EUR
Bath Sound absorbing set		68767530000	• 47.00				
Connection sound insulation tape WAS 70							
3,30 m		687676030000	• 31.50				
10,00 m		687676040000	• 82.00				
Installation tape WES 130		687676540000	• 15.50				
For sound insulation and separation between the bottom edge of the product and the brickwork							



WATERPROOF SEALING KIT FLEX



SEALING KIT FLEX

Sealing kit FLEX

- Simple and safe – sealing system from a single source
- Universal solution for bathtubs and showers that are not installed flush with the floor
- Easy installation thanks to corner elements that are perfectly matched to the radii of the KALDEWEI shower surfaces
- The pre-assembled sealing elements take into account both wall-side corner installation and niche installation of the bathtub
- Sealing in the system – the sealing set is matched to various sealing components of the construction chemistry
- Contains 1x bathtub sealing tape 5.0 m, 2x wall corners, 1x assembly instructions/formulations

	Model	Order No.	Price	Alpine White (I)	Sanitary Colours (II, III)	EUR Coord. Colours (IV)
Sealing kit FLEX		689720520000	• 51.50			

SURFACES

INVISIBLE GRIP



INVISIBLE GRIP

INVISIBLE GRIP

- Virtually invisible, full-base anti-slip surface
- The LGA Bautechnik confirms that the INVISIBLE GRIP from KALDEWEI has a slip resistance of at least 24° (evaluation class C) in accordance with DIN EN 16165 - Annex A. 30 years slip-resistant effect.
- Optimum stability
- Brilliant shine
- Easy cleaning
- Cannot be combined with easy-clean finish
- In the case of waste fittings with an enamelled waste cover the corresponding waste fitting in the KALDEWEI INVISIBLE GRIP version should be considered in addition to the bath or shower surface
- For shower surfaces (full base slip resistance) and bathtubs (slip resistance on the standing surface)

				EUR
	Model	Order No.	Price	
				Alpine White (I) Sanitary Colours (II, III) Coord. Colours (IV)
INVISIBLE GRIP		xxxxxxxx1xxx	167.50	
Full base, almost invisible slip resistance. Cannot be combined with easy-clean finish				



SURFACES

EASY-CLEAN FINISH



EASY-CLEAN FINISH

Easy-clean finish

- Surface finish permanently fired into the KALDEWEI steel enamel
- Water simply rolls off the shower surface taking virtually all dirt and lime particles with it
- Even dried-on water spots and lime deposits can be easily removed
- Available for all bathtubs and shower surfaces

	Model	Order No.	Price	Alpine White (I)	Sanitary Colours (II, III)	EUR Coord. Colours (IV)
Easy-clean finish		xxxxxxxx3xxx		94.00	94.00	

SURFACES

FULL ANTI-SLIP AND PARTIAL ANTI-SLIP



FULL ANTI-SLIP



PARTIAL ANTI-SLIP

Full anti-slip

- Point-applied, slip-resistant surface (full base)
- The LGA Bautechnik confirms that KALDEWEI's Full anti-slip has a slip resistance of at least 18° (assessment class B) and at least 10° (R10) in accordance with DIN EN 16165 - Annex A and B. 30 years slip resistance.
- You can find the exact positioning of the Full anti-slip on the individual models at www.kaldewei.com

Partial anti-slip

- Slip-resistant surface applied at specific points
- The LGA Bautechnik confirms that the KALDEWEI partial anti-slip has a slip resistance of at least 18° (assessment class B) and at least 10° (R10) in accordance with DIN EN 16165 - Annex A and B. 30 years slip-resistant effect.
- The exact positioning of the partial anti-slip on the individual models can be found at www.kaldewei.com

	Model	Order No.	Price	Alpine White (I)	Sanitary Colours (II, III)	EUR Coord. Colours (IV)
Full anti-slip						
	MEISTERSTÜCKE			370.00	370.00	
	BATHTUBS			191.00	191.00	
Partial anti-slip						
	MEISTERSTÜCKE			298.00	298.00	
	BATHTUBS			101.00	101.00	

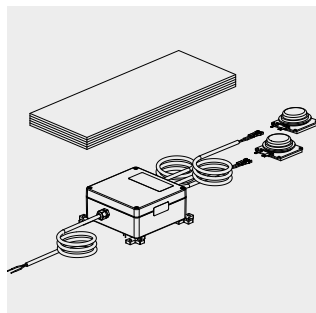


Partial anti-slip/full anti-slip is not possible with MEISTERSTÜCKE and whirl bathtubs with floor jets!



SOUND SYSTEMS

SOUND WAVE



SOUND WAVE

SOUND WAVE

- Innovative sound-audio system in which the bathtub serves as a sound box
- Optimum sound above and below water
- Tangible music experience
- Easy operation with your Bluetooth®-enabled device
- Family suitability guaranteed. Wireless connection of up to 8 end devices
- Operation via Bluetooth®. The SOUND WAVE complies with the Bluetooth® specification 5.0. The following profile is supported: Advanced Audio Distribution (A2DP) 1.3
- Not in combination with whirl systems.

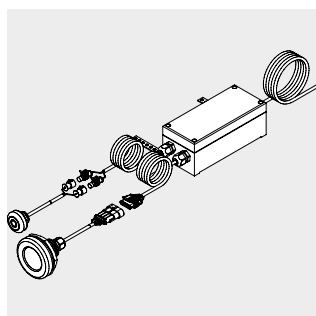
	Model	Order No.	Price	Alpine White (I)	Sanitary Colours (II, III)	Coord. Colours (IV)	EUR
SOUND WAVE	6802	5845 7613 0000	• 686.00				
SOUND WAVE can be used with all KALDEWEI bathtubs, except models with polystyrene support and whirl systems!							



Bluetooth is a registered trademark of Bluetooth SIG Inc.

LIGHTING SYSTEMS

LIGHTING SET FOR BATHS



LIGHTING SET

Lighting set

- Extended bathing experience by means of atmospheric lighting effects
- Combines white and coloured spectral light in one
- the rotating colour change can be stopped at any colour by pressing and holding the button
- The set consists of an LED spotlight, a controller with power cord and a control element
- Simple installation on a drilled bathtub (not pre-assembled at the factory)
- **WARNING!** Special design bathtub required. A special drill hole (standard positioning) on the bathtub, which is already included in the price of the accessories, is required to install the lighting set. The lighting set must be ordered in the same procedure with the associated bathtub

	Model	Order No.	Price	Alpine White (I)	Sanitary Colours (II, III)	Coord. Colours (IV)	EUR
Lighting set SL							
alpine white		63020000001	• 787.00				
chrom		63020000999	• 787.00				



Not available for SILENIO, ELLIPSO DUO OVAL free-standing and bathtubs with support.



BATH COVER

RELAX LOUNGER



RELAX LOUNGER



STORAGE RACK FOR
RELAXATION LOUNGER

Relax lounger

- The bathtub cover serves as a seat or reclining area
- Consists of three individual parts (each 6 kg)
- Made of high-quality, hand-sewn upholstery
- With matching, semicircular pillow (400 x 230 x 90 mm)
- Colours: Anthracite, beige, carmine red, chocolate
- Rack for storing the Relax lounger and cushions (600 x 310 x 290 mm) made of high-quality MDF in alpine white (sold separately)

Storage rack for relaxation lounger

- The bathtub cover serves as a seat or reclining area
- Consists of three individual parts (each 6 kg)
- Made of high-quality, hand-sewn upholstery
- With matching, semicircular pillow (400 x 230 x 90 mm)
- Colours: Anthracite, beige, carmine red, chocolate
- Rack for storing the Relax lounger and cushions (600 x 310 x 290 mm) made of high-quality MDF in alpine white (sold separately)

	Model	Order No.	Price	Alpine White (I)	Sanitary Colours (II, III)	EUR Coord. Colours (IV)
Relax lounger, 1700 x 750 mm						
	anthracite	689710180000	• 2378.00			
	beige	689710150000	• 2042.00			
	carmine red	689710160000	• 2378.00			
	chocolate	689710170000	• 2378.00			
Relax lounger, 1800 x 800 mm						
	anthracite	689710080000	• 2416.00			
	beige	689710010000	• 2072.00			
	carmine red	689710060000	• 2416.00			
	chocolate	689710070000	• 2416.00			
Relax lounger, 1900 x 900 mm						
	anthracite	689710110000	• 2519.00			
	beige	689710020000	• 2180.00			
	carmine red	689710090000	• 2519.00			
	chocolate	689710100000	• 2519.00			
Relax lounger, 2000 x 1000 mm						
	anthracite	689710140000	• 3411.00			
	beige	689710050000	• 2857.00			
	carmine red	689710120000	• 3411.00			
	chocolate	689710130000	• 3411.00			
	Storage rack	689710030000	• 616.00			

CUSHIONS

BATH CUSHION/MULTIFUNCTIONAL CUSHIONS



BATH CUSHION



MULTI-FUNCTIONAL CUSHION

Bath cushion

- Bathtub cushion made of flexible, soft material that adapts to the shape of the neck and bathtub
- Hardness of the filled cushion adjustable by means of a valve
- Skin-friendly, machine-washable fabric cover with a practical hanging loop sewn inside for drying
- Size: 500 x 300 mm

Multi-functional cushion

- Can be used as a foot, neck or arm support
- Footrest: prevents “slipping” in large tubs
- Under the thighs: prevents “slipping” in large tubs
- Neck support: comfortable support for the head and neck
- Armrest: supports the arms by attaching to the inner long side of the bathtub
- Dimensions 350 x 120 x 50 mm
- Available in two colours
- Set consists of two pieces

	Model	Order No.	Price	Alpine White (I)	Sanitary Colours (II, III)	Coord. Colours (IV)	EUR
Bath cushion		687675830000	• 86.50				
Multifunctional cushion							
grey - Set of 2 pieces		687675770000	• 164.00				
white - Set of 2 pieces		687675760000	• 164.00				

BAKO PANELLING SYSTEM FOR SANIFORM PLUS

Discontinued item



Similar illustration

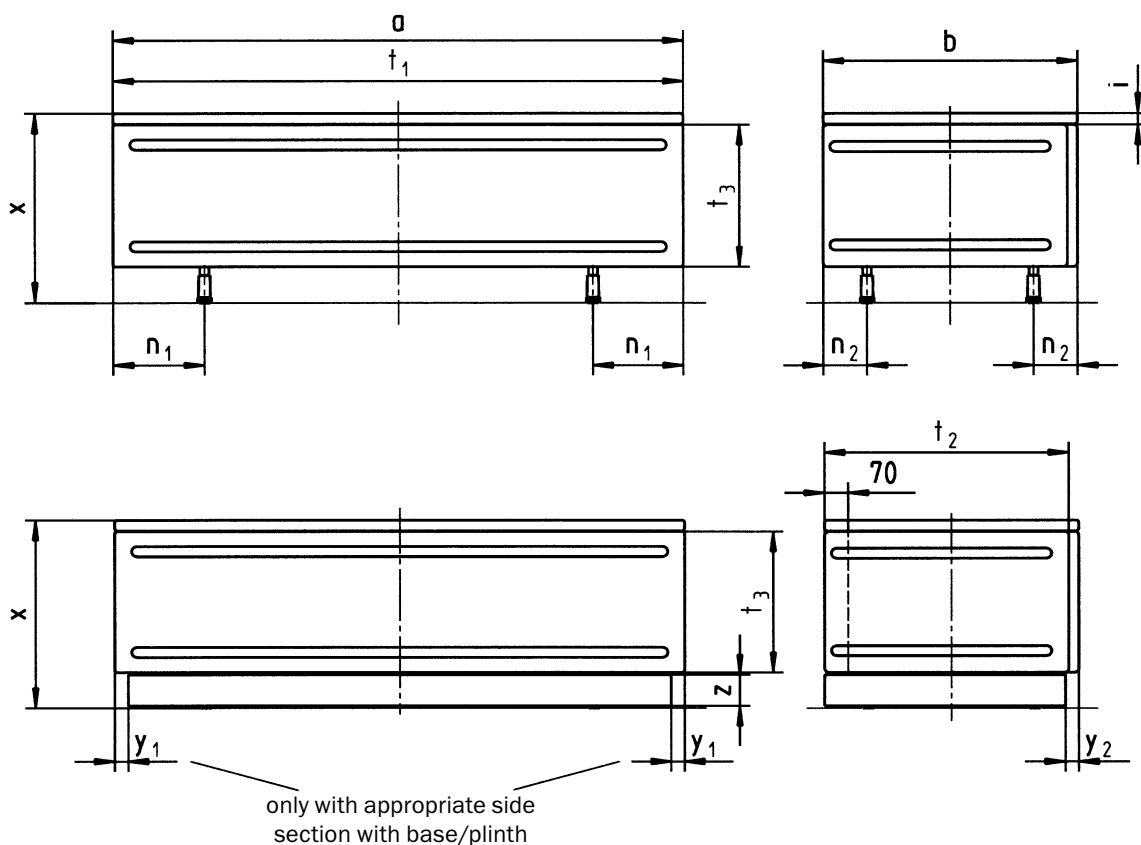
- a panelling system which provides flexibility
- the bath can be replaced without damaging the tiles
- no bricking in and tiling
- quick installation without the nuisance of dust and noise

Model No.		1600	1600/UT	1700	1700/UT
Bako front section					
External length	a	1600	1600	1700	1700
Height of rim	i	32	32	32	32
Distance bath edge to centre of base	$n_1; n_2$	270; 130	270; 130	270; 130	270; 130
Length long section	t_1	1600	1600	1700	1700
Height front and side section	t_3	420	420	420	420
Overall height	x	560	560	560	560
Base	$y_1; y_2$	-	40; 40	-	40; 40
Height base	z	-	92	-	92
for SANIFORM PLUS/ SANIFORM PLUS STAR Model No.		362-1/332	362-1/332	363-1/335	363-1/335
		372-1/333	372-1/333	373-1/333	373-1/333

Model No.		700	700/UT	700 VK70
BAKO side section				
External length	b	700	700	700
Height of rim	i	32	32	32
Distance bath edge to centre of base	$n_1; n_2$	270; 130	270; 130	270; 130
Length side section	t_2	670	670	670
Height front and side section	t_3	420	420	420
Overall height	x	560	560	560
Base	$y_1; y_2$	-	40; 40	-
Height base	z	-	92	-
for SANIFORM PLUS/ SANIFORM PLUS STAR Model No.		360-1/361-1	360-1/361-1	360-1/361-1
		362-1/363-1	362-1/363-1	362-1/363-1
		330/331	330/331	330/331
		332/335	332/335	332/335

UT = version with base/plinth VK = shortened

	Model	Order No.	Price	Colour price groups enamelled	EUR
				Alpine White Sanitary Colours	Coord. Colours
Long section without base	1600	6855 0002 0001		• 237.00	
In this version, the created inspection opening is not covered.	1700	6855 0003 0001		• 237.00	
Long section with base	1600/UT	6855 0004 0001		• 287.00	
Height base: 92 mm	1700/UT	6855 0005 0001		• 287.00	
Side section without base	700	6855 0020 0001		• 193.50	
In this version, the created inspection opening is not covered.	700/VK70	6855 0022 0001		• 248.50	
Side section with base	700/UT	6855 0021 0001		• 217.00	
Height base: 92 mm					
Tubular foot frame	5310	6855 0040 0000		• 125.50	
for SANIFORM PLUS/SANIFORM PLUS STAR 700 mm wide Mod. 360-1, 361-1, 362-1, 363-1, 330, 331, 332, 335					



WELLNESS PRODUCTS



WELLNESS-SYSTEMS

EXTRA CHARGE KALDEWEI SKIN TOUCH



SKIN TOUCH	SKIN TOUCH EMOTION	SKIN TOUCH EMOTION for MEISTERSTÜCKE
chrome-plated control pushbutton	Electronic control element made of glass (available only in white)	Electronic control element made of glass (available only in white)
No spotlight	Spectral light with chrome-plated surround	Spectral light with chrome-plated surround
Plastic inlet cover (available only in alpine white, manhattan and pergamon)	Enamelled inlet cover (available only in the relevant bathtub colour)	Enamelled inlet cover (available only in the relevant bathtub colour)

Surcharge for wellness technology (incl. waste and overflow fitting and visible chrome parts, feet). Does not include the price of the bathtub! The systems are fitted to the bathtub at the factory. The SKIN TOUCH order form is available at www.kaldewei.com.

Model	Model No.	EUR		
Colour combination depends on bathtub model.		3,131.00	4,230.00	4,716.00
MEISTERSTÜCK				
MEISTERSTÜCK CENTRO DUO 1 left	1129, 1136			•
MEISTERSTÜCK CENTRO DUO right	1130, 1137			•
MEISTERSTÜCK CENTRO DUO 2	1131, 1135			•
MEISTERSTÜCK CENTRO DUO OVAL	1127, 1128			•
AVANTGARDE				
ASYMMETRIC DUO	740, 742, 744	•	•	
CENTRO DUO	132, 133	•	•	
CENTRO DUO OVAL	127, 128	•	•	
CENTRO DUO 1 left	129, 136	•	•	
CENTRO DUO 1 right	130, 137	•	•	
CENTRO DUO 2	131, 135	•	•	
CONODUO	732, 733, 734, 735	•	•	
ELLIPSO DUO	230	•	•	
ELLIPSO DUO OVAL	232	•		
PLAZA DUO right/left	190, 192	•	•	
AMBIENTE				
CLASSIC DUO	103			
	105, 107, 109, 110, 114	•	•	
CLASSIC DUO OVAL	111, 112, 113, 116	•	•	
PURO	683, 687, 652, 691, 653, 696	•	•	
PURO STAR	685, 689, 654, 693, 655, 698	•	•	
PURO DUO	663, 664, 665	•	•	
PURO with side overflow	684, 688, 656, 692, 657, 697	•	•	
PURO STAR with side overflow	686, 690, 658, 694, 659, 699	•	•	
PURO SET WIDE left/right	668, 667	•	•	
SILENIO*	674, 676, 678	•	•	

* For this model the control panel must be fitted to the outside of the bathtub.



RELAXATION
HAS MANY
SOURCES

BODY & SOUL

The coming together of the elements for the absolute massage experience

- water and air combined give the entire body an intensive massage and relax the senses at the same time
- a flow of pre-warmed air bubbles stimulates the skin
- on request, the side and floor nozzles can be selected separately and their intensity adjusted
- individually adjustable whirl programs and air mixture based on the Venturi principle

SOUL

A bubbling stream of air for relaxation and inner peace

- leave stress behind and free your mind
- a gentle skin massage by means of a flow of pre-warmed air bubbles
- the nerve fibre endings of the skin are stimulated by the gentle caressing of the air. This produces a feeling of floating weightlessly in the water
- the floor nozzles are particularly flat and efficient

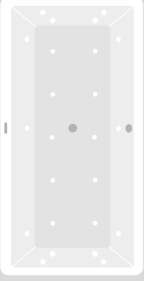
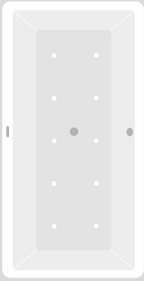
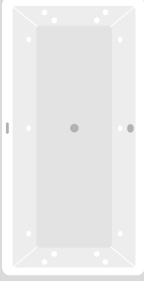
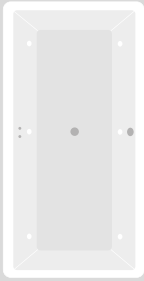
BODY/FULL BODY

A bubbling stream of air for relaxation and inner peace

- pure relaxation - whether after hard work or an intense workout
- an intensive massage with powerful jets of water that, enriched with air, penetrate deep into the skin
- tensions in muscles and joints are released, the connective tissue loosened and the blood circulation in the body promoted. That gives an invigorating feeling of well-being
- the side jets can be individually aligned to the regions of the body that are to be massaged
- Full body: Special nozzles treat the back and feet in a targeted way

WELLNESS-SYSTEMS

WHIRLPOOL SYSTEMS OVERVIEW

WHIRLPOOL SYSTEMS					
Segment	Model	COMBIMASSAGE BODY & SOUL	AIRMASSAGE SOUL	AQUAMASSAGE FULL BODY	AQUAMASSAGE BODY
					
Jets		10 - 12 floor jets 6 side jets 4 back and 4 foot jets	10 - 12 floor jets	6 side jets 4 back and 4 foot jets	6 side jets
MEISTERSTÜCK/ Freestanding	MEISTERSTÜCK CENTRO DUO OVAL		●		
	MEISTERSTÜCK CLASSIC DUO OVAL		○		
	CLASSIC DUO OVAL freestanding		○		
	MEISTERSTÜCK CONODUO		○		
	CONODUO freestanding		○		
AVANTGARDE	ASYMMETRIC DUO	○	○	○	○
	CENTRO DUO	●	●	●	○
	CENTRO DUO 1 left	○	○	○	○
	CENTRO DUO 1 right	○	○	○	○
	CENTRO DUO 2	○	○	○	○
	CENTRO DUO OVAL	●	●	●	●
	CONODUO	●	●	●	○
	ELLIPSO DUO			○	○
	ELLIPSO DUO OVAL				●
	PLAZA DUO left/right	○	○	○	○
AMBIENTE	CLASSIC DUO	●	●	●	●
	CLASSIC DUO OVAL	●	●	●	●
	DYNA SET (STAR)		○ only models with a length of 1700 mm or more		○
	PURO (STAR)	○	● (only PURO)	● (only PURO)	○
	PURO DUO	●	●	●	●
	PURO (STAR) with side overflow	○	○	○	○
	PURO SET WIDE left/right	○	○	○	○
	VAIO DUO		○		
VAIO DUO OVAL		○			
ADVANTAGE	CAYONO (STAR)	○	○	●	●
	CAYONO DUO	○	○	○	○
	SANIFORM (STAR)			○	○
	SANIFORM PLUS (STAR)	○ only models with a length of 1700 mm or more	○ only models with a length of 1700 mm or more	○	●
	SANIFORM V1-V4 (STAR)			○	○

○ please order through order form ● also available as pre-configured whirlpool bathtubs in selected sizes
Grip holes for Aquamassage Body only possible as special drilling.

COMBIMASSAGE BODY & SOUL



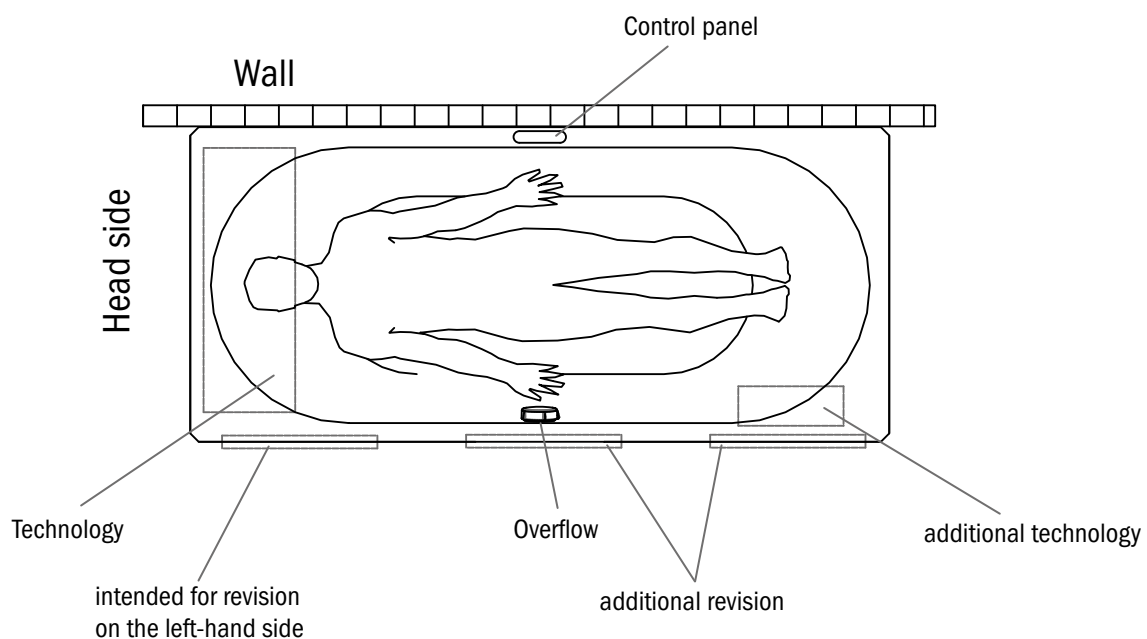
Similar illustration

- Side and floor nozzles can be selected separately
- Side jets and microjets for back and feet, individual alignment of the water jet
- Flat floor nozzles
- Massage programs Silent and Power
- Automatic cleaning
- Automatic drainage of residual water and drying of the air system after use
- LED bathtub lighting with white and coloured light
- Visible parts in alpine white
- Flat control panel
- Waste and overflow fittings included
- The system is factory-fitted to the bathtub, including the feet for built-in bathtubs

TECHNICAL DETAILS	
Voltage, frequency	220-240 V, 50/60 Hz
Overall connection	ca. 1.230 W
ts of use indoors	+5...+45°C

AVAILABLE FOR THE FOLLOWING MODELS			
MEISTERSTÜCKE/freestanding bathtubs	AVANTGARDE	AMBIENTE	ADVANTAGE
	ASYMMETRIC DUO	CLASSIC DUO	CAYONO (STAR)
	CENTRO DUO	CLASSIC DUO OVAL	CAYONO DUO
	CENTRO DUO 1 left	PURO (STAR) from 1700 mm	SANIFORM PLUS (STAR) from 1700 mm
	CENTRO DUO 1 right	PURO DUO	
	CENTRO DUO 2	PURO (STAR) with side overflow	
	CENTRO DUO OVAL	PURO SET WIDE left/right	
	CONODUO		
	PLAZA DUO left/right		

STANDARD RIGHT VERSION



	Model	Order No.	Dimensions (mm)	Alpine White (I)	Sanitary Colours (II, III)	EUR Coord. Colours (IV)
CENTRO DUO	132	2832 6000 xxxx	1700 x 750 x 460	8,670.00		11,044.00
with COMBIMASSAGE BODY & SOUL	133	2833 6000 xxxx	1800 x 800 x 460	9,102.00		11,606.00
CENTRO DUO OVAL	127	2827 6000 xxxx	1700 x 750 x 460	9,471.00		12,086.00
with COMBIMASSAGE BODY & SOUL	128	2828 6000 xxxx	1800 x 800 x 460	10,083.00		12,882.00
CLASSIC DUO	107	2907 6000 xxxx	1700 x 750 x 420	7,813.00		9,932.00
with COMBIMASSAGE BODY & SOUL	110	2910 6000 xxxx	1800 x 800 x 420	7,968.00		10,133.00
CLASSIC DUO OVAL	113	2914 6000 xxxx	1700 x 750 x 420	8,234.00		10,479.00
with COMBIMASSAGE BODY & SOUL	111	2912 6000 xxxx	1800 x 800 x 420	8,455.00		10,767.00
CONODUO	733	2351 6000 xxxx	1800 x 800 x 420	8,560.00		10,904.00
with COMBIMASSAGE BODY & SOUL	734	2352 6000 xxxx	1900 x 900 x 420	9,175.00		11,703.00
PURO DUO	663	2663 6000 xxxx	1700 x 750 x 410	8,020.00		10,200.00
with COMBIMASSAGE BODY & SOUL	664	2664 6000 xxxx	1800 x 800 x 410	8,065.00		10,259.00

Whirlpool order form at www.kaldewei.com

OPTIONAL: EXTRA CHARGE FOR THE WHIRLPOOL SYSTEM

	Model	Order No.	Price	Alpine White (I)	Sanitary Colours (II, III)	Coord. Colours (IV)
Combi-massage Body & Soul			8,331.00			
6 side jets, 4 each foot and back jets and 10-12 floor jets depending on the bathtub model						
Surcharge for the whirl system. The price of the bathtub is not included. Colour price groups I-IV are available for the respective bathtubs.						

OPTIONAL: SURFACE FINISHES

	Model	Order No.	Price	Alpine White (I)	Sanitary Colours (II, III)	Coord. Colours (IV)
Easy-clean finish		xxxxxxx3xxx	94.00			

OPTIONAL: EQUIPMENT FOR WHIRLPOOL SYSTEMS AND PRE- CONFIGURED WHIRLPOOL SETS

	Model	Order No.	Price	Alpine White (I)	Sanitary Colours (II, III)	Coord. Colours (IV)
Waste and overflow set with water inlet			323.00			
Visible parts						
(control panel available in black and white)						
alpine white matt			1,858.00			
black matt 100			1,858.00			
chrome-plated			135.00			

OPTIONAL: ACCESSORIES FOR WHIRLPOOL SYSTEMS AND PRE-CONFIGURED WHIRLPOOL BATHTUB SETS¹

	Model	Order No.	Price	Alpine White (I)	Sanitary Colours (II, III)	Coord. Colours (IV)
Disinfectants		6876 7614 0000	112.00			
with child safety feature, 1000 ml						
Access panel, with aluminium ventilation grill		6872 7283 0000	256.00			
(can be used from 150 x 150 mm to 500 x 1000 mm)						

AIR MASSAGE SOUL

- Relaxing skin massage by means of a flow of pre-warmed air bubbles
- Flat floor nozzles
- Massage programs Silent and Power
- Automatic cleaning
- Automatic drainage of residual water and drying of the air system after use
- LED bathtub lighting with white and coloured light
- Visible parts in alpine white
- Flat control panel
- Waste and overflow fittings included
- The system is factory-fitted to the bathtub, including the feet for built-in bathtubs



Similar illustration

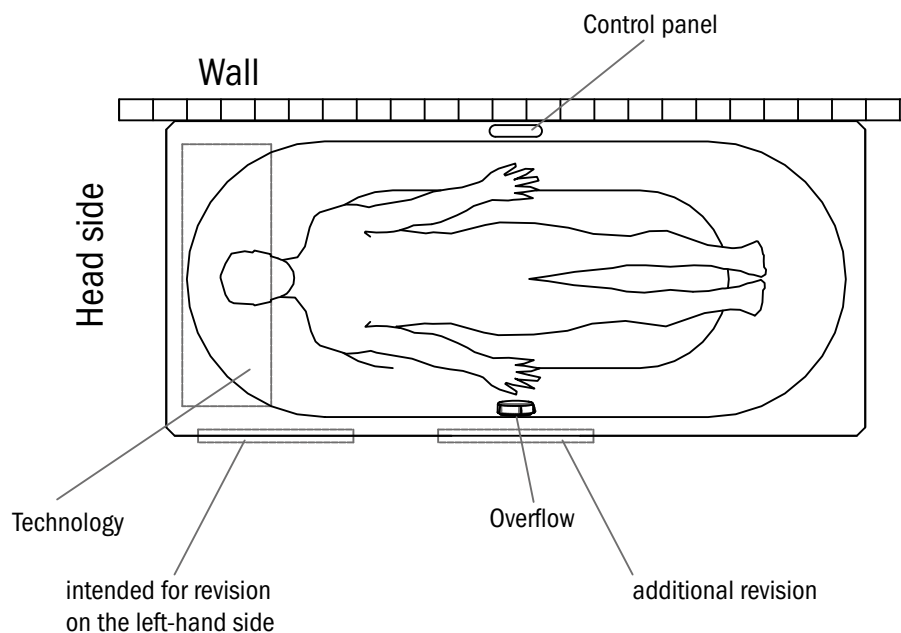
TECHNICAL DETAILS

Voltage, frequency	220-240 V, 50/60 Hz
Overall connection	ca. 550 W
Limits of use indoors	+5...+45°C

AVAILABLE FOR THE FOLLOWING MODELS

MEISTERSTÜCKE/freestanding bathtubs	AVANTGARDE	AMBIENTE	ADVANTAGE
MEISTERSTÜCK CENTRO DUO OVAL	ASYMMETRIC DUO	CLASSIC DUO	CAYONO (STAR) from 1700 mm
MEISTERSTÜCK CLASSIC DUO OVAL	CENTRO DUO	CLASSIC DUO OVAL	CAYONO DUO
MEISTERSTÜCK CONODUO	CENTRO DUO 1 left	DYNA SET (STAR) from 1700 mm	SANIFORM PLUS (STAR) from 1700 mm
CLASSIC DUO OVAL freestanding	CENTRO DUO 1 right	PURO (STAR)	
CONODUO freestanding	CENTRO DUO 2	PURO DUO	
	CENTRO DUO OVAL	PURO (STAR) with side overflow	
	CONODUO	PURO SET WIDE left/right	
	PLAZA DUO left/right	VAIO DUO	
		VAIO DUO OVAL	
		VAIO 6 (STAR)	

STANDARD RIGHT VERSION



	Model	Order No.	Dimensions (mm)	Alpine White (I)	Sanitary Colours (II, III)	EUR Coord. Colours (IV)
CENTRO DUO with AIR MASSAGE SOUL	133	2833 6051 xxxx	1800 x 800 x 460	6,325.00		8,145.00
CENTRO DUO OVAL with AIR MASSAGE SOUL	128	2828 6051 xxxx	1800 x 800 x 460	7,306.00		9,421.00
CLASSIC DUO with AIR MASSAGE SOUL	107	2907 6051 xxxx	1700 x 750 x 420	5,036.00		6,471.00
	110	2910 6051 xxxx	1800 x 800 x 420	5,191.00		6,672.00
CLASSIC DUO OVAL with AIR MASSAGE SOUL	113	2914 6051 xxxx	1700 x 750 x 420	5,457.00		7,018.00
	111	2912 6051 xxxx	1800 x 800 x 420	5,678.00		7,306.00
CONODUO with AIR MASSAGE SOUL	733	2351 6051 xxxx	1800 x 800 x 420	5,783.00		7,443.00
MEISTERSTÜCK CENTRO DUO OVAL with AIR MASSAGE SOUL	1127	2001 6051 xxxx	1700 x 750 x 460	11,212.00		
	1128	2002 6051 xxxx	1800 x 800 x 460	11,950.00		
PURO with AIR MASSAGE SOUL	652	2562 6051 xxxx	1700 x 750 x 410	4,955.00		6,365.00
	653	2563 6051 xxxx	1800 x 800 x 410	5,047.00		6,483.00
PURO DUO with AIR MASSAGE SOUL	663	2663 6051 xxxx	1700 x 750 x 410	5,243.00		6,739.00
	664	2664 6051 xxxx	1800 x 800 x 410	5,288.00		6,798.00

Whirlpool order form at www.kaldewei.com

OPTIONAL: EXTRA CHARGE FOR THE WHIRLPOOL SYSTEM

	Model	Order No.	Price	Alpine White (I)	Sanitary Colours (II, III)	Coord. Colours (IV)
Air massage Soul 10-12 floor jets depending on the bathtub model Surcharge for the whirl system. The price of the bathtub is not included. Colour price groups I-IV are available for the respective bathtubs. Colour price groups I-IV are avail- able for the respective bathtubs.			4,999.00			

OPTIONAL: SURFACE FINISHES

	Model	Order No.	Price	Alpine White (I)	Sanitary Colours (II, III)	Coord. Colours (IV)
Easy-clean finish		xxxxxxxx3xxx		94.00		

OPTIONAL: EQUIPMENT FOR WHIRLPOOL SYSTEMS AND PRE- CONFIGURED WHIRLPOOL SETS

	Model	Order No.	Price	Alpine White (I)	Sanitary Colours (II, III)	Coord. Colours (IV)
Waste and overflow set with water inlet			323.00			
Visible parts (control panel available in black and white)						
alpine white matt			1,174.00			
black matt 100			1,174.00			
chrome-plated			135.00			

OPTIONAL: ACCESSORIES FOR WHIRLPOOL SYSTEMS AND PRE-CONFIGURED

	Model	Order No.	Price	Alpine White (I)	Sanitary Colours (II, III)	Coord. Colours (IV)
WHIRLPOOL BATHTUB SETS^{•1}						
Disinfectants with child safety feature, 1000 ml		6876 7614 0000	112.00			
Access panel, with aluminium ventilation grill (can be used from 150 x 150 mm to 500 x 1000 mm)		6872 7283 0000	256.00			

AQUAMASSAGE FULL BODY

- Intensive massage of the entire body, including the back and feet, using targeted jets of water from four sides, relieving tension in muscles and joints
- Side jets and microjets for back and feet, individual alignment of the water jet
- Silent and Power massage programs with a mixture of air
- Automatic cleaning
- Automatic residual water drainage after use
- LED bathtub lighting with white and coloured light
- Visible parts in alpine white
- Flat control panel
- Waste and overflow fittings included
- The system is factory-fitted to the bathtub, including the feet for built-in bathtubs



Similar illustration



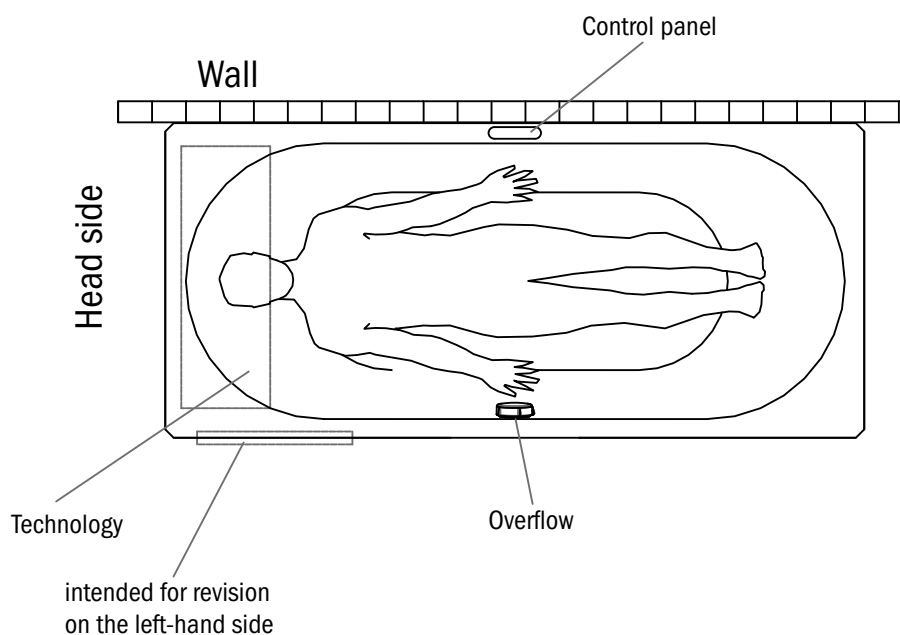
TECHNICAL DETAILS

Voltage, frequency	220-240 V, 50/60 Hz
Overall connection	ca. 730 W
Limits of use indoors	+5...+45°C

AVAILABLE FOR THE FOLLOWING MODELS

MEISTERSTÜCKE/freestanding bathtubs	AVANTGARDE	AMBIENTE	ADVANTAGE
	ASYMMETRIC DUO	CLASSIC DUO	CAYONO (STAR)
	CENTRO DUO	CLASSIC DUO OVAL	CAYONO DUO
	CENTRO DUO 1 left	PURO (STAR)	SANIFORM (STAR)
	CENTRO DUO 1 right	PURO DUO	SANIFORM PLUS (STAR) from 1700mm
	CENTRO DUO 2	PURO (STAR) with side overflow	SANIFORM V1-V4 (STAR)
	CENTRO DUO OVAL	PURO SET WIDE left/right	
	CONODUO		
	ELLIPSO DUO		
	PLAZA DUO left/right		

STANDARD RIGHT VERSION



	Model	Order No.	Dimensions (mm)	Alpine White (I)	Sanitary Colours (II, III)	Coord. Colours (IV)	EUR
CAYONO	748	2748 6025 xxxx	1600 x 700 x 400	5,543.00			6,879.00
with AQUAMASSAGEFULL BODY	749	2749 6025 xxxx	1700 x 700 x 400	5,566.00			6,910.00
	750	2750 6025 xxxx	1700 x 750 x 400	5,543.00			6,879.00
CENTRO DUO	133	2833 6025 xxxx	1800 x 800 x 460	7,158.00			8,978.00
with AQUAMASSAGEFULL BODY							
CENTRO DUO OVAL	128	2828 6025 xxxx	1800 x 800 x 460	8,139.00			10,254.00
with AQUAMASSAGEFULL BODY							
CLASSIC DUO	107	2907 6025 xxxx	1700 x 750 x 420	5,869.00			7,304.00
with AQUAMASSAGEFULL BODY	110	2910 6025 xxxx	1800 x 800 x 420	6,024.00			7,505.00
CLASSIC DUO OVAL	113	2914 6025 xxxx	1700 x 750 x 420	6,290.00			7,851.00
with AQUAMASSAGEFULL BODY	111	2912 6025 xxxx	1800 x 800 x 420	6,511.00			8,139.00
CONODUO	733	2351 6025 xxxx	1800 x 800 x 420	6,616.00			8,276.00
with AQUAMASSAGEFULL BODY							
PURO	652	2562 6025 xxxx	1700 x 750 x 410	5,788.00			7,198.00
with AQUAMASSAGEFULL BODY	653	2563 6025 xxxx	1800 x 800 x 410	5,880.00			7,316.00
PURO DUO	663	2663 6025 xxxx	1700 x 750 x 410	6,076.00			7,572.00
with AQUAMASSAGEFULL BODY	664	2664 6025 xxxx	1800 x 800 x 410	6,121.00			7,631.00

Whirlpool order form at www.kaldewei.com

OPTIONAL: EXTRA CHARGE FOR THE WHIRLPOOL SYSTEM

	Model	Order No.	Price	Alpine White (I)	Sanitary Colours (II, III)	Coord. Colours (IV)
Aqua massage Full Body			6,110.00			
6 side jets and 4 foot and back jets Surcharge for the whirl system. The price of the bathtub is not included. Colour price groups I-IV are available for the respective bathtubs.						

OPTIONAL: SURFACE FINISHES

	Model	Order No.	Price	Alpine White (I)	Sanitary Colours (II, III)	Coord. Colours (IV)
INVISIBLE GRIP		xxxxxxx1xxx	167.50			
Almost invisible slip resistance on the standing surface. Cannot be combined with easy-clean finish.						
Easy-clean finish		xxxxxxx3xxx	94.00			

OPTIONAL: EQUIPMENT FOR WHIRLPOOL SYSTEMS AND PRE- CONFIGURED WHIRLPOOL SETS

	Model	Order No.	Price	Alpine White (I)	Sanitary Colours (II, III)	Coord. Colours (IV)
Waste and overflow set with water inlet in alpine white			323.00			
Visible parts (control panel available in black and white)						
alpine white matt			1,174.00			
black matt 100			1,174.00			
chrome-plated			135.00			

OPTIONAL: ACCESSORIES FOR WHIRLPOOL SYSTEMS AND PRE-CONFIGURED WHIRLPOOL BATHTUB SETS^{•1}

	Model	Order No.	Price	Alpine White (I)	Sanitary Colours (II, III)	Coord. Colours (IV)
Disinfectants with child safety feature, 1000 ml		6876 7614 0000	112.00			
Access panel, with aluminium ventilation grill (can be used from 150 x 150 mm to 500 x 1000 mm)		6872 7283 0000	256.00			

AQUA MASSAGE BODY

- Intensive massage of the body with targeted jets of water from two sides, relieving tensions in muscles
- Side nozzles, individual alignment of the water jet
- Visible parts in alpine white
- Operation via rotary knob to adjust the massage strength
- Waste and overflow fittings included
- The system is factory-fitted to the bathtub, including the feet for built-in bathtubs



Similar illustration



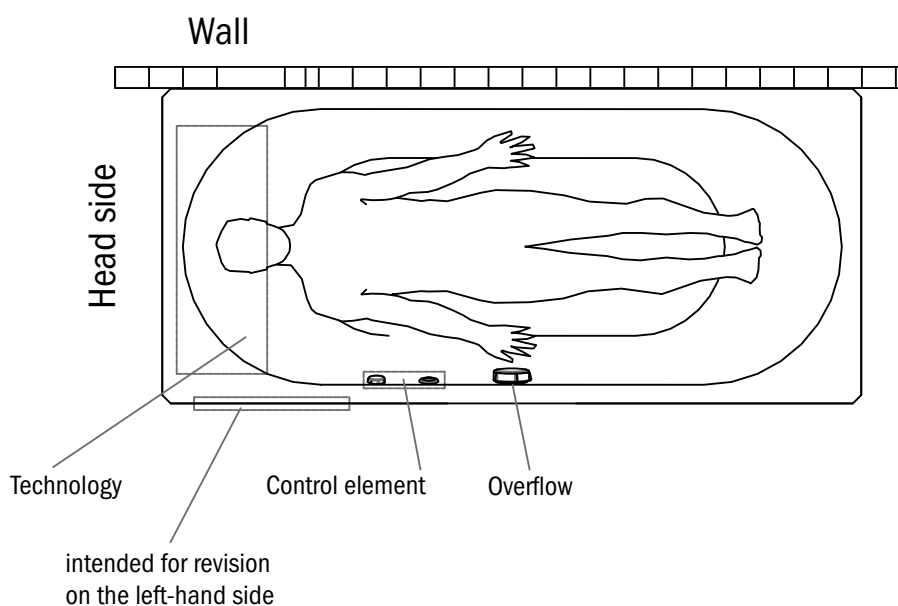
TECHNICAL DETAILS

Voltage, frequency	220-240 V, 50/60 Hz
Overall connection	ca. 600 W
Limits of use indoors	+5...+45°C

AVAILABLE FOR THE FOLLOWING MODELS

MEISTERSTÜCKE/freestanding bathtubs	AVANTGARDE	AMBIENTE	ADVANTAGE
	ASYMMETRIC DUO	CLASSIC DUO	CAYONO (STAR)
	CENTRO DUO	CLASSIC DUO OVAL	CAYONO DUO
	CENTRO DUO 1 left	DYNA SET (STAR)	SANIFORM (STAR)
	CENTRO DUO 1 right	PURO (STAR)	SANIFORM PLUS (STAR) from 1500mm
	CENTRO DUO 2	PURO DUO	SANIFORM V1-V4 (STAR)
	CENTRO DUO OVAL	PURO (STAR) with side overflow	
	CONODUO	PURO SET WIDE left/right	
	ELLIPSO DUO		
	ELLIPSO DUO OVAL		
	PLAZA DUO left/right		

STANDARD RIGHT VERSION



	Model	Order No.	Dimensions (mm)	Alpine White (I)	Sanitary Colours (II, III)	Coord. Colours (IV)	EUR
CAYONO	749	2749 6075 0001	1700 x 700 x 400				2,846.00
with AQUAMASSAGE BODY	750	2750 6075 0001	1700 x 750 x 400				2,823.00
CENTRO DUO OVAL	127	2827 6075 0001	1700 x 750 x 460				4,807.00
with AQUAMASSAGE BODY	128	2828 6075 0001	1800 x 800 x 460				5,419.00
CLASSIC DUO	107	2907 6075 0001	1700 x 750 x 420				3,149.00
with AQUAMASSAGE BODY	110	2910 6075 0001	1800 x 800 x 420				3,304.00
CLASSIC DUO OVAL	113	2914 6075 0001	1700 x 750 x 420				3,570.00
with AQUAMASSAGE BODY	111	2912 6075 0001	1800 x 800 x 420				3,791.00
ELLIPSO DUO OVAL	232	2862 6075 0001	1900 x 1000 x 440				5,458.00
with AQUAMASSAGE BODY							
PURO DUO	663	2663 6075 0001	1700 x 750 x 410				3,356.00
with AQUAMASSAGE BODY	664	2664 6075 0001	1800 x 800 x 410				3,401.00
SANIFORM PLUS	361-1	1116 6075 0001	1500 x 700 x 400				2,760.00
with AQUAMASSAGE BODY	363-1	1118 6075 0001	1700 x 700 x 400				2,677.00
	373-1	1126 6075 0001	1700 x 750 x 400				2,662.00

Whirlpool order form at www.kaldewei.com

OPTIONAL: EXTRA CHARGE FOR THE WHIRLPOOL SYSTEM

	Model	Order No.	Price	Alpine White (I)	Sanitary Colours (II, III)	Coord. Colours (IV)
Aqua massage Body			2,785.00			
6 side jets						
Surcharge for the whirl system. The price of the bathtub is not included. Colour price groups I-IV are available for the respective bathtubs.						

OPTIONAL: SURFACE FINISHES

	Model	Order No.	Price	Alpine White (I)	Sanitary Colours (II, III)	Coord. Colours (IV)
INVISIBLE GRIP		xxxxxxx1xxx	167.50			
Almost invisible slip resistance on the standing surface. Cannot be combined with easy-clean finish.						
Easy-clean finish		xxxxxxx3xxx	94.00			

OPTIONAL: EQUIPMENT FOR WHIRLPOOL SYSTEMS AND PRE-CONFIGURED WHIRLPOOL SETS

	Model	Order No.	Price	Alpine White (I)	Sanitary Colours (II, III)	Coord. Colours (IV)
Waste and overflow set with water inlet			323.00			
Visible parts						
chrome-plated			135.00			

OPTIONAL: ACCESSORIES FOR WHIRLPOOL SYSTEMS AND PRE-CONFIGURED WHIRLPOOL BATHTUB SETS¹

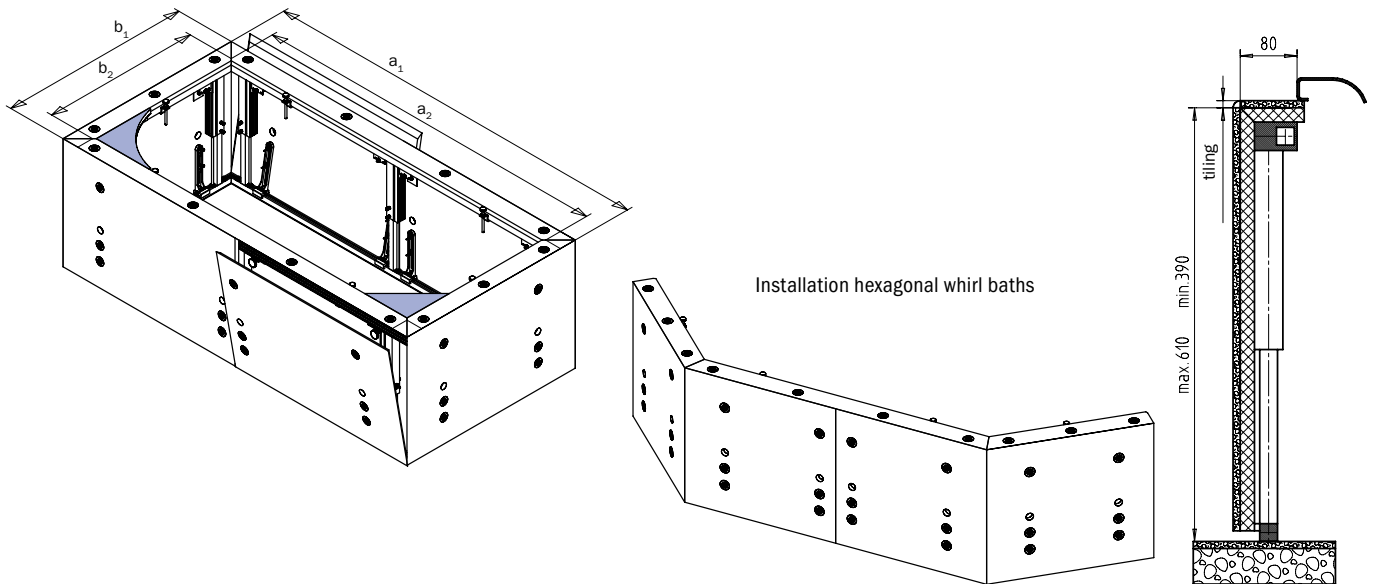
	Model	Order No.	Price	Alpine White (I)	Sanitary Colours (II, III)	Coord. Colours (IV)
Disinfectants		6876 7614 0000	112.00			
with child safety feature, 1000 ml						
Access panel, with aluminium ventilation grill		6872 7283 0000	256.00			
(can be used from 150 x 150 mm to 500 x 1000 mm)						

MULTIVERSO PANELLING SYSTEM FOR WELLNESS BATHS

- perfectly matched to KALDEWEI whirl baths but can also be used for KALDEWEI baths without whirlpool systems
- surface for finishing with tiles or other materials
- with integrated ventilation
- speedy assembly and easy access to the whirl technology
- can be installed in a niche, corner, against the wall and freestanding



Similar illustration



Model No.		1500	1600	1700	1800	1900	2000
MULTIVERSO Long section							
Length	$a_1; a_2$	1660; 1500	1760; 1600	1860; 1700	1960; 1800	2060; 1900	2160; 2000 mm
Installed height min.*		390	390	390	390	390	390 mm
Installed height max.*		610	610	610	610	610	610 mm
Panelling overlap		80	80	80	80	80	80 mm

Model No.		700	750	800	900	1000
MULTIVERSO Side section						
Width	$b_1; b_2$	860; 700	910; 750	960; 800	1060; 900	1160; 1000 mm
Installed height min.*		390	390	390	390	390 mm
Installed height max.*		610	610	610	610	610 mm
Panelling overlap		80	80	80	80	80 mm

*Installation height without tiling (see drawing)

	Model	Order No.	Price	Colour price groups enamelled	EUR
--	-------	-----------	-------	-------------------------------	-----

Alpine White Sanitary Colours Coord. Colours

MULTIVERSO panelling system for rectangular whirl baths

Long section	1500	5500 0001 0000	• 882.00
	1600	5500 0002 0000	• 882.00
	1700	5500 0003 0000	• 882.00
	1800	5500 0004 0000	• 882.00
	1900	5500 0005 0000	• 882.00
	2000	5500 0025 0000	• 882.00
Side section	700	5500 0006 0000	• 611.00
	750	5500 0007 0000	• 611.00
	800	5500 0008 0000	• 611.00
	900	5500 0009 0000	• 611.00
	1000	5500 0026 0000	• 611.00

Filler pieces for oval whirl baths

Two long sections and two side sections are required for the panelling on oval baths; order in accordance with the external dimensions (see drawing left). The following filler pieces are also required, depending on the particular model:

Set with 4 filler pieces for oval baths with width 700/750 mm: Mod.127 CENTRO DUO OVAL, Mod. 112, 113, 116 CLASSIC DUO OVAL

5500**0011**0000

• **337.00/Set**

Set with 4 filler pieces for oval baths 800 mm wide: Mod. 128, CENTRO DUO OVAL; Mod. 951, VAIO DUO OVAL; Mod. 111 CLASSIC DUO OVAL

5500**0012**0000

• **337.00/Set**

At least 1 long section and 1 side section are required for panelling the CENTRO DUO 1 l/r; order in accordance with the external dimensions. The following filler piece is also required:

1 filler piece for Mod. 129/130, CENTRO DUO 1 l/r

5500**0022**0000

• **103.50/Set**

1 filler piece for Mod. 136/137, CENTRO DUO 1 l/r

5500**0029**0000

• **103.50/Set**

At least 1 long section and 2 side sections are required for panelling the CENTRO DUO 2; order in accordance with the external dimensions. The following filler pieces are also required:

Set of 2 filler pieces for Mod. 131, CENTRO DUO 2

5500**0023**0000

• **163.00/Set**

Set of 2 filler pieces for Mod. 135, CENTRO DUO 2

5500**0030**0000

• **163.00/Set**

Filler pieces for octagonal whirl baths

At least 2 long sections and 2 side sections are required for panelling octagonal baths, order in accordance with the external dimensions (see drawing left). The following filler pieces are also required:

Set with 4 filler pieces for octagonal baths (all models)

5500**0010**0000

• **268.00/Set**

Complete sets for hexagonal whirl baths

Complete for Mod. 952, VAIO DUO 6

5500**0016**0000

• **1,759.00**

Complete for Mod. 958/959, VAIO 6 / VAIO 6 STAR

5500**0015**0000

• **1,759.00**

Complete sets for special forms

Complete for Mod. 190 PLAZA DUO right

5500**0031**0000

• **1,759.00**

Complete for Mod. 192 PLAZA DUO left

5500**0032**0000

• **1,759.00**

Not suitable for ELLIPSO DUO OVAL.



SHOWER SURFACES

Showering on a shower surface from KALDEWEI ensures a refreshing start to the day. A cleansing way to wind down in the evening after work, sport and leisure. By yourself. Or with someone else. Whenever and however you shower, we have the right shower surface for you. From floor-level showers at floor height to an elevated installation: KALDEWEI offers the right shower for every bathroom size and every interior decoration style.

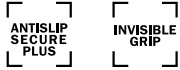
KALDEWEI shower surfaces make it possible. See for yourself.

OUR PRODUCT ADVANTAGES:

- Made in Germany since 1918
- Brilliant shine
- Steel enamel is plastic-free
- Especially stable with low weight
- Steel enamel is heated quickly by water
- Especially sustainable and recyclable
- 30 year manufacturer guarantee*

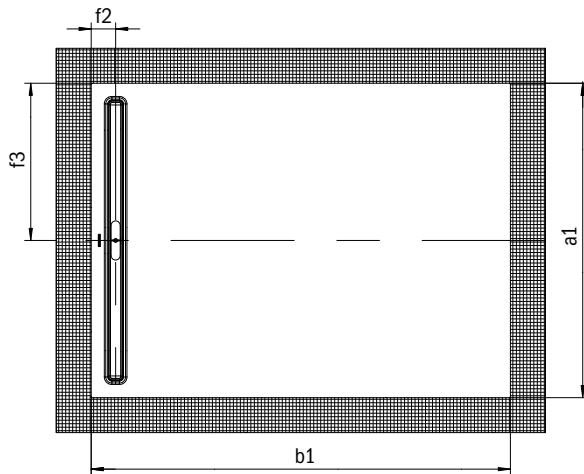
NEXSYS

- Absolutely floor-level shower surface made of KALDEWEI steel enamel
- Design: Absolutely flat surface – no inner contours for a generous standing area and a harmonious bathroom interior. Discreet waste channel with flush design cover
- Pre-assembled 4-in-1 system consisting of enamelled shower surface, waste channel, all-round sealing tape, slope support with counter slope between channel and wall. The system is completed by the desired waste fitting inc. hair catcher and an exclusive design cover from the optional extras
- Accessories included: Sound insulation tape
- Low total height from 84 mm (depending on size and waste fitting)



Similar illustration

	ALPINE WHITE	SANITARY COLOURS				COORDINATED COLOURS	ALPINE WHITE MATT	WARM BEIGE 20	WARM BEIGE 40	WARM GREY 10	WARM GREY 30	WARM GREY 50	WARM GREY 60	WARM GREY 70	WARM GREY 80	WARM GREY 85	WARM GREY 90	COOL GREY 30	COOL GREY 40	COOL GREY 70	COOL GREY 80	COOL GREY 90	BLACK MATT 100
NEXSYS	001	030	199	231	701	711	661	662	668	669	670	671	672	673	674	675	663	664	665	666	667	676	



	Model	KA 4121 max.	KA 4121 min.	KA 4122
Total height	2610	174	104	84
	2611	176	106	86
	2612	176	106	86
	2613	178	108	88
	2614	178	108	88
	2615	178	108	88
	2616	180	110	90
	2617	182	112	92
	2618	182	112	92
	2619	182	112	92
	2620	182	112	92
	2621	184	114	94
	2622	190	120	96
	2623	186	116	96
	2624	186	116	96
	2625	190	120	100
	2626	190	120	100
	2627	192	122	100
	2628	192	122	102
2629	192	122	102	

Model	External length [mm]	External width [mm]	Depth inside [mm]	Height with support [mm]	Distance bath edge to centre of waste hole [mm]	Net weight [kg]
	a ₁	b ₁	c ₁	c ₁₀	f ₂ ; f ₃	
2610	800	800	14	44	70; 400	16
2611	800	900	16	46	70; 400	18
2612	900	900	16	46	70; 450	18
2613	800	1000	18	48	70; 400	20
2614	900	1000	18	48	70; 450	22
2615	1000	1000	18	48	70; 500	24
2616	900	1100	20	50	70; 450	24
2617	800	1200	22	52	70; 400	22
2618	900	1200	22	52	70; 450	26
2619	1000	1200	22	52	70; 500	28
2620	1200	1200	22	52	70; 600	35
2621	900	1300	24	54	70; 450	29
2622	800	1400	26	56	70; 400	27
2623	900	1400	26	56	70; 450	29
2624	1000	1400	26	56	70; 500	32
2625	800	1600	30	60	70; 400	31
2626	900	1600	30	60	70; 450	34
2627	1000	1600	30	60	70; 500	39
2628	750	1700	32	62	70; 375	31
2629	900	1700	32	62	70; 450	37

	Model	Order No.	Dimensions (mm)	EUR		
				Alpine White (I)	Sanitary Colours (II, III)	Coord. Colours (IV)
NEXSYS Waste fitting Nexsys required Nexsys design panel required Anti-cut tape required	2610	41084630xxxx	800 x 800 x 14	881.00	1,145.00	881.00
	2611	41094630xxxx	900 x 800 x 16	881.00	1,145.00	881.00
	2612	41124630xxxx	900 x 900 x 16	881.00	1,145.00	881.00
	2613	41134630xxxx	1000 x 800 x 18	906.00	1,178.00	906.00
	2614	41144630xxxx	1000 x 900 x 18	906.00	1,178.00	906.00
	2615	41154630xxxx	1000 x 1000 x 18	906.00	1,178.00	906.00
	2616	41164630xxxx	1100 x 900 x 20	972.00	1,264.00	972.00
	2617	41174630xxxx	1200 x 800 x 22	972.00	1,264.00	972.00
	2618	41184630xxxx	1200 x 900 x 22	972.00	1,264.00	972.00
	2619	41194630xxxx	1200 x 1000 x 22	972.00	1,264.00	972.00
	2620	41204630xxxx	1200 x 1200 x 22	972.00	1,264.00	972.00
	2621	41214630xxxx	1300 x 900 x 24	1,104.00	1,435.00	1,104.00
	2622	41224630xxxx	1400 x 800 x 26	1,104.00	1,435.00	1,104.00
	2623	41234630xxxx	1400 x 900 x 26	1,104.00	1,435.00	1,104.00
	2624	41244630xxxx	1400 x 1000 x 26	1,104.00	1,435.00	1,104.00
2625	41254630xxxx	1600 x 800 x 30	1,237.00	1,608.00	1,237.00	
2626	41264630xxxx	1600 x 900 x 30	1,237.00	1,608.00	1,237.00	
2627	41274630xxxx	1600 x 1000 x 30	1,237.00	1,608.00	1,237.00	
2628	41284630xxxx	1700 x 750 x 32	1,237.00	1,608.00	1,237.00	
2629	41294630xxxx	1700 x 900 x 32	1,237.00	1,608.00	1,237.00	

OPTIONAL: SURFACE FINISHES	Model	Order No.	Price	Alpine White (I)	Sanitary Colours (II, III)	Coord. Colours (IV)
INVISIBLE GRIP Full base, almost invisible slip resistance. Cannot be combined with easy-clean finish		xxxxxxx1xxx		without extra charge		
ANTI-SLIP SECURE PLUS Full base slip resistance in matt look. Cannot be combined with easy-clean finish		xxxxxxx2xxx		without extra charge		without extra charge
Easy-clean finish		xxxxxxx3xxx		89.50	89.50	89.50

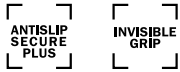
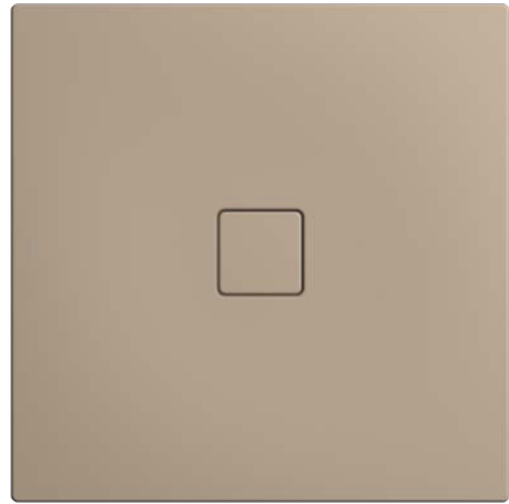
REQUIRED: INFLOW/OUTFLOW

TECHNOLOGY¹	Model	Order No.	Price	Alpine White (I)	Sanitary Colours (II, III)	Coord. Colours (IV)
Design cover 4131 for showers with a length of 750 mm						
brushed red gold		687771260955	309.00			
brushed stainless steel		687771260969	206.50			
polished gold		687771260957	309.00			
polished stainless steel		687771260986	309.00			
powder-coated in alpine white		687771260001	228.00			
Design cover 4132 for showers with a length of 800 mm						
brushed red gold		687771230955	309.00			
brushed stainless steel		687771230969	206.50			
polished gold		687771230957	309.00			
polished stainless steel		687771230986	309.00			
powder-coated in alpine white		687771230001	228.00			
Design cover 4133 for showers with a length of 900 mm						
brushed red gold		687771240955	309.00			
brushed stainless steel		687771240969	206.50			
polished gold		687771240957	309.00			
polished stainless steel		687771240986	309.00			
powder-coated in alpine white		687771240001	228.00			
Design cover 4134 for showers with a length of 1000 mm						
brushed red gold		687771250955	309.00			
brushed stainless steel		687771250969	206.50			
polished gold		687771250957	309.00			
polished stainless steel		687771250986	309.00			
powder-coated in alpine white		687771250001	228.00			
Design cover 4136 for showers with a length of 1200 mm						
brushed red gold		687771280955	309.00			
brushed stainless steel		687771280969	206.50			
polished gold		687771280957	309.00			
polished stainless steel		687771280986	309.00			
powder-coated in alpine white		687771280001	228.00			
NEXSYS Waste fitting KA 4121	KA 4121	687771210000	97.50			
Incl. hair catcher, water seal height 50 mm						
NEXSYS Waste fitting KA 4122 ultra flat	KA 4122	687771220000	97.50			
Incl. hair catcher, water seal height 25 mm						

OPTIONAL: INSTALLATION^{•1}	Model	Order No.	Price	Alpine White (I)	Sanitary Colours (II, III)	Coord. Colours (IV)
NEXSYS sloping support element						
1160 mm long, left-hand option		6876 7641 0969	91.00			
1160 mm long, right-hand option		6876 7642 0969	91.00			
2000 mm long, left-hand option		6876 7643 0969	170.50			
2000 mm long, right-hand option		6876 7644 0969	170.50			
Systemboard NEXSYS						
Can only be combined with KA4121						
800 x 800		5845 7551 0000	197.50			
900 x 800		5845 7552 0000	197.50			
900 x 900		5845 7557 0000	197.50			
1000 x 800		5845 7553 0000	232.50			
1000 x 900		5845 7558 0000	232.50			
1000 x 1000		5845 7565 0000	232.50			
1100 x 900		5845 7559 0000	232.50			
1200 x 800		5845 7554 0000	232.50			
1200 x 900		5845 7560 0000	232.50			
1200 x 1000		5845 7566 0000	232.50			
1200 x 1200		5845 7569 0000	232.50			
1300 x 900		5845 7561 0000	302.00			
1400 x 800		5845 7555 0000	302.00			
1400 x 900		5845 7562 0000	302.00			
1400 x 1000		5845 7567 0000	302.00			
1600 x 800		5845 7556 0000	302.00			
1600 x 900		5845 7563 0000	302.00			
1600 x 1000		5845 7568 0000	302.00			
1700 x 750		5845 7550 0000	302.00			
1700 x 900		5845 7564 0000	302.00			
NEXSYS sound insulation		6876 7618 0000	103.50			
for shower surfaces ≤ 1000 x 1200 mm consists of: sound insulation mat (10 mm thick), sound absorbing pad, PE film						
NEXSYS sound insulation		6876 7619 0000	139.50			
for shower surfaces > 1000 x 1200 mm consists of: sound insulation mat (10 mm thick), sound absorbing pad, PE film						
Cut protection tape 4,6m		6897 2057 0000	67.00			
for shower surfaces ≤ 1000 x 1200 mm						
Cut protection tape 6,6m		6897 2058 0000	96.50			
for shower surfaces > 1000 x 1200 mm						

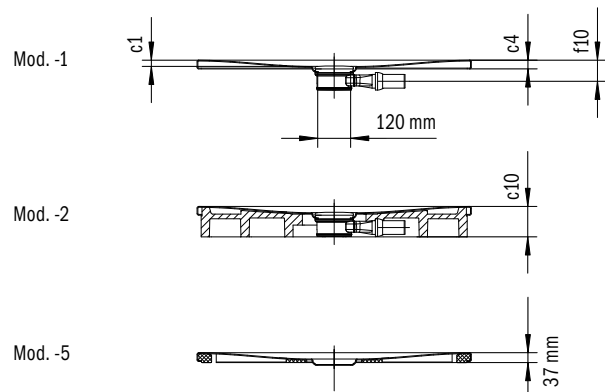
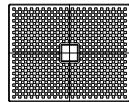
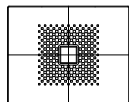
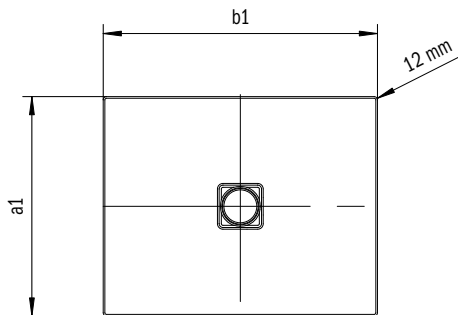
CONOFLAT

- Straightlined, purist design
- High level of comfort thanks to the flat enamelled waste cover that is flush with the shower area
- Can be installed to be absolutely flush with the floor
- Ideally complements the CONODUO bath
- Designed by Sottsass Associati



Similar illustration

CONOFLAT	ALPINE WHITE	SANITARY COLOURS				COORDINATED COLOURS										BLACK 100						
	001	BAHAMABEIGE 030	MANHATTAN 199	PERGAMON 231	BLACK 701	ALPINE WHITE MATT 711	WARM BEIGE 20 661	WARM BEIGE 40 662	WARM GREY 10 668	WARM GREY 30 669	WARM GREY 50 670	WARM GREY 60 671	WARM GREY 70 672	WARM GREY 80 673	WARM GREY 85 674	WARM GREY 90 675	COOL GREY 30 663	COOL GREY 40 664	COOL GREY 70 665	COOL GREY 80 666	COOL GREY 90 667	BLACK MATT 100 676



	Total height			Fitting height	
	Model-1	Model-2	Model-5	Model-1	Model-5
KA 120 horizontal	106	110	106	83	83
KA 120 flat	86	110	86	63	63
KA 120 vertical	49	110	37	83	83

Model	External length [mm]	Internal length [mm]	External width [mm]	Internal width [mm]	Depth inside [mm]	Height of rim [mm]	Height with support [mm]	Width across corners - external length [mm]	Width across corners - external width [mm]	Width across corners - internal length [mm]	Width across corners - internal width [mm]	Width of rim [mm]	Distance bath edge to centre of waste hole [mm]	Side length [mm]	Net weight [kg]
	a ₁	a _s	b ₁	b _s	c ₁	c ₄	c ₁₀	d ₁	d ₂	d _s	d ₄	e _s	f ₂ ; f _s	j _s	
852	800	-	800	-	23	32	110	-	-	-	-	-	-	-	17
853	750	-	900	-	23	32	110	-	-	-	-	-	-	-	18
780	800	-	900	-	23	32	110	-	-	-	-	-	-	-	18
783	900	-	900	-	23	32	110	-	-	-	-	-	-	-	21
781	800	-	1000	-	23	32	110	-	-	-	-	-	-	-	20
784	900	-	1000	-	23	32	110	-	-	-	-	-	-	-	23
786	1000	-	1000	-	23	32	110	-	-	-	-	-	-	-	27
787	800	-	1100	-	23	32	110	-	-	-	-	-	-	-	23
788	900	-	1100	-	23	32	110	-	-	-	-	-	-	-	26
854	1000	-	1100	-	23	32	110	-	-	-	-	-	-	-	28
782	800	-	1200	-	23	32	110	-	-	-	-	-	-	-	26
785	900	-	1200	-	23	32	110	-	-	-	-	-	-	-	29
789	1000	-	1200	-	23	32	110	-	-	-	-	-	-	-	30
790	1200	-	1200	-	23	32	110	-	-	-	-	-	-	-	37
791	800	-	1300	-	23	32	110	-	-	-	-	-	-	-	27
792	900	-	1300	-	23	32	110	-	-	-	-	-	-	-	29
793	1000	-	1300	-	23	32	110	-	-	-	-	-	-	-	33
794	800	-	1400	-	23	32	110	-	-	-	-	-	-	-	28
795	900	-	1400	-	23	32	110	-	-	-	-	-	-	-	32
796	1000	-	1400	-	23	32	110	-	-	-	-	-	-	-	35
855	800	-	1500	-	23	32	110	-	-	-	-	-	-	-	33
856	900	-	1500	-	23	32	110	-	-	-	-	-	-	-	37
857	1000	-	1500	-	23	32	110	-	-	-	-	-	-	-	38
858	750	-	1600	-	23	32	110	-	-	-	-	-	-	-	30
859	800	-	1600	-	23	32	110	-	-	-	-	-	-	-	35
860	900	-	1600	-	23	32	110	-	-	-	-	-	-	-	37
861	1000	-	1600	-	23	32	110	-	-	-	-	-	-	-	41
862	750	-	1700	-	23	32	110	-	-	-	-	-	-	-	33
863	900	-	1700	-	23	32	110	-	-	-	-	-	-	-	40
864	1000	-	1700	-	23	32	110	-	-	-	-	-	-	-	43
865	800	-	1800	-	23	32	110	-	-	-	-	-	-	-	35
866	900	-	1800	-	23	32	110	-	-	-	-	-	-	-	41
867	1000	-	1800	-	23	32	110	-	-	-	-	-	-	-	45

Drain Hole Model	Order No.	Dimensions (mm)	EUR			
			Alpine White (I)	Sanitary Colours (II, III)	Coord. Colours (IV)	
CONOFLAT	Ø 120 MM 852-1	4668 0001 xxxx	800 x 800 x 23	740.00	962.00	740.00
	853-1	4669 0001 xxxx	900 x 750 x 23	837.00	1,088.00	837.00
	780-1	4650 0001 xxxx	900 x 800 x 23	837.00	1,088.00	837.00
	783-1	4653 0001 xxxx	900 x 900 x 23	740.00	962.00	740.00
	781-1	4651 0001 xxxx	1000 x 800 x 23	895.00	1,163.00	895.00
	784-1	4654 0001 xxxx	1000 x 900 x 23	895.00	1,163.00	895.00
	786-1	4656 0001 xxxx	1000 x 1000 x 23	895.00	1,163.00	895.00
	787-1	4657 0001 xxxx	1100 x 800 x 23	954.00	1,241.00	954.00
	788-1	4658 0001 xxxx	1100 x 900 x 23	954.00	1,241.00	954.00
	854-1	4670 0001 xxxx	1100 x 1000 x 23	974.00	1,266.00	974.00
	782-1	4652 0001 xxxx	1200 x 800 x 23	1,028.00	1,336.00	1,028.00
	785-1	4655 0001 xxxx	1200 x 900 x 23	1,028.00	1,336.00	1,028.00
	789-1	4659 0001 xxxx	1200 x 1000 x 23	1,028.00	1,336.00	1,028.00
	790-1	4660 0001 xxxx	1200 x 1200 x 23	1,028.00	1,336.00	1,028.00
	791-1	4661 0001 xxxx	1300 x 800 x 23	1,075.00	1,397.00	1,075.00
	792-1	4662 0001 xxxx	1300 x 900 x 23	1,075.00	1,397.00	1,075.00
	793-1	4663 0001 xxxx	1300 x 1000 x 23	1,075.00	1,397.00	1,075.00
	794-1	4664 0001 xxxx	1400 x 800 x 23	1,075.00	1,397.00	1,075.00
	795-1	4665 0001 xxxx	1400 x 900 x 23	1,075.00	1,397.00	1,075.00
	796-1	4666 0001 xxxx	1400 x 1000 x 23	1,095.00	1,422.00	1,095.00
	855-1	4671 0001 xxxx	1500 x 800 x 23	1,095.00	1,422.00	1,095.00
	856-1	4672 0001 xxxx	1500 x 900 x 23	1,095.00	1,422.00	1,095.00
	857-1	4673 0001 xxxx	1500 x 1000 x 23	1,095.00	1,422.00	1,095.00
	858-1	4674 0001 xxxx	1600 x 750 x 23	1,158.00	1,505.00	1,158.00
	859-1	4675 0001 xxxx	1600 x 800 x 23	1,158.00	1,505.00	1,158.00
	860-1	4676 0001 xxxx	1600 x 900 x 23	1,158.00	1,505.00	1,158.00
	861-1	4677 0001 xxxx	1600 x 1000 x 23	1,158.00	1,505.00	1,158.00
	862-1	4678 0001 xxxx	1700 x 750 x 23	1,158.00	1,505.00	1,158.00
	863-1	4679 0001 xxxx	1700 x 900 x 23	1,158.00	1,505.00	1,158.00
	864-1	4681 0001 xxxx	1700 x 1000 x 23	1,350.00	1,754.00	1,350.00
	865-1	4682 0001 xxxx	1800 x 800 x 23	1,273.00	1,655.00	1,273.00
	866-1	4683 0001 xxxx	1800 x 900 x 23	1,273.00	1,655.00	1,273.00
	867-1	4684 0001 xxxx	1800 x 1000 x 23	1,397.00	1,815.00	1,397.00

Drain Hole Model	Order No.	Dimensions (mm)	EUR			
			Alpine White (I)	Sanitary Colours (II, III)	Coord. Colours (IV)	
CONOFLAT WITH SUPPORT Total height with support: 110 mm	Ø 120 MM 852-2	4668 4804 xxxx	800 x 800 x 23	841.00	1,093.00	841.00
	853-2	4669 4804 xxxx	900 x 750 x 23	954.00	1,241.00	954.00
	780-2	4650 4804 xxxx	900 x 800 x 23	954.00	1,241.00	954.00
	783-2	4653 4804 xxxx	900 x 900 x 23	841.00	1,093.00	841.00
	781-2	4651 4804 xxxx	1000 x 800 x 23	1,032.00	1,341.00	1,032.00
	784-2	4654 4804 xxxx	1000 x 900 x 23	1,032.00	1,341.00	1,032.00
	786-2	4656 4804 xxxx	1000 x 1000 x 23	1,032.00	1,341.00	1,032.00
	787-2	4657 4804 xxxx	1100 x 800 x 23	1,095.00	1,422.00	1,095.00
	788-2	4658 4804 xxxx	1100 x 900 x 23	1,095.00	1,422.00	1,095.00
	854-2	4670 4804 xxxx	1100 x 1000 x 23	1,107.00	1,440.00	1,107.00
	782-2	4652 4804 xxxx	1200 x 800 x 23	1,179.00	1,534.00	1,179.00
	785-2	4655 4804 xxxx	1200 x 900 x 23	1,179.00	1,534.00	1,179.00
	789-2	4659 4804 xxxx	1200 x 1000 x 23	1,179.00	1,534.00	1,179.00
	790-2	4660 4804 xxxx	1200 x 1200 x 23	1,179.00	1,534.00	1,179.00
	791-2	4661 4804 xxxx	1300 x 800 x 23	1,260.00	1,638.00	1,260.00
	792-2	4662 4804 xxxx	1300 x 900 x 23	1,260.00	1,638.00	1,260.00
	793-2	4663 4804 xxxx	1300 x 1000 x 23	1,260.00	1,638.00	1,260.00
	794-2	4664 4804 xxxx	1400 x 800 x 23	1,260.00	1,638.00	1,260.00
	795-2	4665 4804 xxxx	1400 x 900 x 23	1,260.00	1,638.00	1,260.00
	796-2	4666 4804 xxxx	1400 x 1000 x 23	1,311.00	1,703.00	1,311.00
	855-2	4671 4804 xxxx	1500 x 800 x 23	1,311.00	1,703.00	1,311.00
	856-2	4672 4804 xxxx	1500 x 900 x 23	1,311.00	1,703.00	1,311.00
	857-2	4673 4804 xxxx	1500 x 1000 x 23	1,311.00	1,703.00	1,311.00
	858-2	4674 4804 xxxx	1600 x 750 x 23	1,379.00	1,791.00	1,379.00
	859-2	4675 4804 xxxx	1600 x 800 x 23	1,379.00	1,791.00	1,379.00
	860-2	4676 4804 xxxx	1600 x 900 x 23	1,379.00	1,791.00	1,379.00
	861-2	4677 4804 xxxx	1600 x 1000 x 23	1,379.00	1,791.00	1,379.00
	862-2	4678 4804 xxxx	1700 x 750 x 23	1,379.00	1,791.00	1,379.00
	863-2	4679 4804 xxxx	1700 x 900 x 23	1,379.00	1,791.00	1,379.00
	864-2	4681 4804 xxxx	1700 x 1000 x 23	1,572.00	2,043.00	1,572.00
865-2	4682 4804 xxxx	1800 x 800 x 23	1,494.00	1,941.00	1,494.00	
866-2	4683 4804 xxxx	1800 x 900 x 23	1,494.00	1,941.00	1,494.00	
867-2	4684 4804 xxxx	1800 x 1000 x 23	1,617.00	2,101.00	1,617.00	

	Drain Hole	Model	Order No.	Dimensions (mm)	EUR		
					Alpine White (I)	Sanitary Colours (II, III)	Coord. Colours (IV)
CONOFLAT WITH EXTRA FLAT TUB SUPPORT Height with tub support 37 mm	Ø 120 MM	852-5	4668 4798 XXXX	800 x 800 x 23	783.00	1,019.00	783.00
		853-5	4669 4798 XXXX	900 x 750 x 23	881.00	1,145.00	881.00
		780-5	4650 4798 XXXX	900 x 800 x 23	881.00	1,145.00	881.00
		783-5	4653 4798 XXXX	900 x 900 x 23	783.00	1,019.00	783.00
		781-5	4651 4798 XXXX	1000 x 800 x 23	940.00	1,221.00	940.00
		784-5	4654 4798 XXXX	1000 x 900 x 23	940.00	1,221.00	940.00
		786-5	4656 4798 XXXX	1000 x 1000 x 23	940.00	1,221.00	940.00
		787-5	4657 4798 XXXX	1100 x 800 x 23	998.00	1,298.00	998.00
		788-5	4658 4798 XXXX	1100 x 900 x 23	998.00	1,298.00	998.00
		854-5	4670 4798 XXXX	1100 x 1000 x 23	1,017.00	1,323.00	1,017.00
		782-5	4652 4798 XXXX	1200 x 800 x 23	1,073.00	1,394.00	1,073.00
		785-5	4655 4798 XXXX	1200 x 900 x 23	1,073.00	1,394.00	1,073.00
		789-5	4659 4798 XXXX	1200 x 1000 x 23	1,073.00	1,394.00	1,073.00
		790-5	4660 4798 XXXX	1200 x 1200 x 23	1,073.00	1,394.00	1,073.00
		791-5	4661 4798 XXXX	1300 x 800 x 23	1,133.00	1,473.00	1,133.00
		792-5	4662 4798 XXXX	1300 x 900 x 23	1,133.00	1,473.00	1,133.00
		793-5	4663 4798 XXXX	1300 x 1000 x 23	1,133.00	1,473.00	1,133.00
		794-5	4664 4798 XXXX	1400 x 800 x 23	1,133.00	1,473.00	1,133.00
		795-5	4665 4798 XXXX	1400 x 900 x 23	1,133.00	1,473.00	1,133.00
		796-5	4666 4798 XXXX	1400 x 1000 x 23	1,170.00	1,521.00	1,170.00
		855-5	4671 4798 XXXX	1500 x 800 x 23	1,170.00	1,521.00	1,170.00
		856-5	4672 4798 XXXX	1500 x 900 x 23	1,170.00	1,521.00	1,170.00
		857-5	4673 4798 XXXX	1500 x 1000 x 23	1,170.00	1,521.00	1,170.00
		858-5	4674 4798 XXXX	1600 x 750 x 23	1,233.00	1,604.00	1,233.00
		859-5	4675 4798 XXXX	1600 x 800 x 23	1,233.00	1,604.00	1,233.00
		860-5	4676 4798 XXXX	1600 x 900 x 23	1,233.00	1,604.00	1,233.00
		861-5	4677 4798 XXXX	1600 x 1000 x 23	1,233.00	1,604.00	1,233.00
862-5	4678 4798 XXXX	1700 x 750 x 23	1,233.00	1,604.00	1,233.00		
863-5	4679 4798 XXXX	1700 x 900 x 23	1,233.00	1,604.00	1,233.00		
864-5	4681 4798 XXXX	1700 x 1000 x 23	1,426.00	1,853.00	1,426.00		
865-5	4682 4798 XXXX	1800 x 800 x 23	1,349.00	1,754.00	1,349.00		
866-5	4683 4798 XXXX	1800 x 900 x 23	1,349.00	1,754.00	1,349.00		
867-5	4684 4798 XXXX	1800 x 1000 x 23	1,473.00	1,914.00	1,473.00		

OPTIONAL: SURFACE FINISHES	Model	Order No.	Price	Alpine White (I)	Sanitary Colours (II, III)	Coord. Colours (IV)
INVISIBLE GRIP Full base, almost invisible slip resistance. Cannot be combined with easy-clean finish		xxxxxxx1xxx		without extra charge		
ANTI-SLIP SECURE PLUS Full base slip resistance in matt look. Cannot be combined with easy-clean finish		xxxxxxx2xxx		without extra charge		
Easy-clean finish		xxxxxxx3xxx		89.50	89.50	89.50
Full anti-slip				239.50	239.50	
Partial anti-slip				119.00	119.00	

REQUIRED: INFLOW/OUTFLOW TECHNOLOGY¹

	Model	Order No.	Price	Alpine White (I)	Sanitary Colours (II, III)	Coord. Colours (IV)
Waste fitting KA 120 horizontal without waste cover, hair catcher included in the scope of delivery. Universally applicable for FR and ESR.	4106	68772530000	113.50			
Waste fitting KA 120 flat without waste cover, hair catcher included in the scope of delivery. Universally applicable for FR and ESR.	4107	68772510000	134.50			
Waste fitting KA 120 vertical without waste cover, hair catcher included in the scope of delivery. Universally applicable for FR and ESR.	4108	68772520000	155.00			
Waste cover KA 120 for CONOFLAT						
enamelled		6877257xxx		41.50	83.00	41.50
enamelled anti-slip SECURE PLUS		68772572xxx		41.50		41.50
enamelled INVISIBLE GRIP		68772571001		41.50		

OPTIONAL: INSTALLATION •¹	Model	Order No.	Price	Alpine White (I)	Sanitary Colours (II, III)	Coord. Colours (IV)
ESR floor level installation system (for -1 models)						
800 x 800 (recess 828 x 828)		6400 0011 0000	425.00			
900 x 750 (recess 928 x 778)		6400 0013 0000	425.00			
900 x 800 (recess 928 x 828)		6400 0014 0000	425.00			
900 x 900 (recess 928 x 928)		6400 0015 0000	425.00			
1000 x 800 (recess 1028 x 828)		6400 0017 0000	425.00			
1000 x 900 (recess 1028 x 928)		6400 0018 0000	425.00			
1000 x 1000 (recess 1028 x 1028)		6400 0019 0000	425.00			
1100 x 800 (recess 1128 x 828)		6400 0020 0000	425.00			
1100 x 900 (recess 1128 x 928)		6400 0021 0000	425.00			
1100 x 1000 (recess 1128 x 1028)		6400 0053 0000	468.00			
1200 x 800 (recess 1228 x 828)		6400 0024 0000	468.00			
1200 x 900 (recess 1228 x 928)		6400 0025 0000	468.00			
1200 x 1000 (recess 1228 x 1028)		6400 0027 0000	468.00			
1200 x 1200 (recess 1228 x 1228)		6400 0028 0000	468.00			
1300 x 800 (recess 1328 x 828)		6400 0029 0000	560.00			
1300 x 900 (recess 1328 x 928)		6400 0030 0000	560.00			
1300 x 1000 (recess 1328 x 1028)		6400 0031 0000	560.00			
1400 x 800 (recess 1428 x 828)		6400 0034 0000	560.00			
1400 x 900 (recess 1428 x 928)		6400 0035 0000	560.00			
1400 x 1000 (recess 1428 x 1028)		6400 0036 0000	560.00			
1500 x 800 (recess 1528 x 828)		6400 0054 0000	765.00			
1500 x 900 (recess 1528 x 928)		6400 0039 0000	765.00			
1500 x 1000 (recess 1528 x 1028)		6400 0040 0000	765.00			
1600 x 750 (recess 1628 x 778)		6400 0043 0000	765.00			
1600 x 800 (recess 1628 x 828)		6400 0055 0000	765.00			
1600 x 900 (recess 1628 x 928)		6400 0044 0000	765.00			
1600 x 1000 (recess 1628 x 1028)		6400 0045 0000	765.00			
1700 x 750 (recess 1728 x 778)		6400 0047 0000	765.00			
1700 x 900 (recess 1728 x 928)		6400 0048 0000	765.00			
1700 x 1000 (recess 1728 x 1028)		6400 0049 0000	765.00			
1800 x 800 (recess 1828 x 828)		6400 0050 0000	765.00			
1800 x 900 (recess 1828 x 928)		6400 0051 0000	765.00			
1800 x 1000 (recess 1828 x 1028)		6400 0052 0000	765.00			
Shower tray foot frame FR 5300						
Size adjustment up to 900 x 900		5300 0012 0000	171.00			
Size adjustment up to 1200 x 1200		5300 0013 0000	188.50			
Size adjustment up to 1800 x 1500		5300 0014 0000	268.00			
Central support system MAS 5315 required for shower trays larger than 900 mm						
		6880 7699 0000	56.00			
Sealing kit FLEX						
		6897 2052 0000	51.50			
Sealing kit floor-level						
		6897 2049 0000	152.50			
Cut protection tape 4,6m for shower surfaces ≤ 1000 x 1200 mm						
		6897 2057 0000	67.00			
Cut protection tape 6,6m for shower surfaces > 1000 x 1200 mm						
		6897 2058 0000	96.50			
Shower tray sound absorbing set DW-ADS						
		6876 7572 0000	37.00			
Installation tape WES 130 For sound insulation and separation between the bottom edge of the product and the brickwork						
		6876 7654 0000	15.50			



SUPERPLAN PLUS

Discontinued item

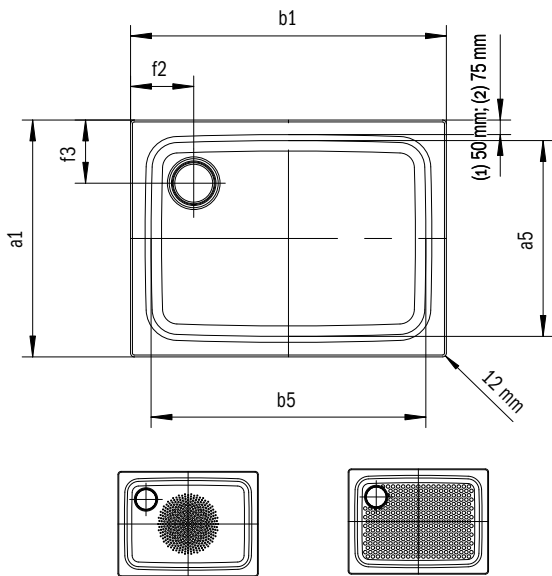
- Puristic, elegant design
- Can be installed to be absolutely flush with the floor
- High level of comfort thanks to the flat enamelled waste cover that is flush with the shower area



ANTISLIP SECURE PLUS
INVISIBLE GRIP

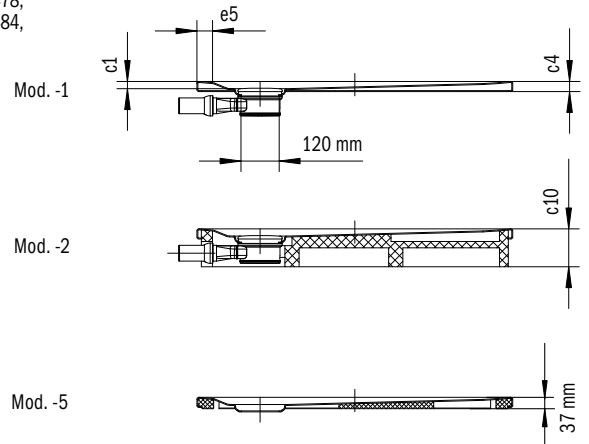
Similar illustration

	ALPINE WHITE	BAHAMABEIGE	MANHATTAN	PERGAMON	BLACK	COORDINATED COLOURS	ALPINE WHITE MATT	WARM BEIGE 20	WARM BEIGE 40	WARM GREY 10	WARM GREY 30	WARM GREY 50	WARM GREY 60	WARM GREY 70	WARM GREY 80	WARM GREY 85	WARM GREY 90	COOL GREY 30	COOL GREY 40	COOL GREY 70	COOL GREY 80	COOL GREY 90	BLACK MATT 100
SUPERPLAN PLUS	001	030	199	231	701		711	661	662	668	669	670	671	672	673	674	675	663	664	665	666	667	676



(1) Model No.:
469, 475, 476, 477, 478,
479, 480, 481, 483, 484,
485, 486, 494

(2) Model No.:
482



	Model-1		Total height		Model-5	Fitting height	
	25 mm depth	52 mm depth	Model-2	Model-5		Model-1	Model-5
	25 mm depth	52 mm depth	25 mm depth	52 mm depth		Model-1	Model-5
KA 120 horizontal	108	135	120	145	108	83	83
KA 120 flat	88	115	120	145	88	63	63
KA 120 vertical	49	49	120	145	37	83	83

Model	External length [mm]	Internal length [mm]	External width [mm]	Internal width [mm]	Depth inside [mm]	Height of rim [mm]	Height with support [mm]	Width across corners - external length [mm]	Width across corners - external width [mm]	Width across corners - internal length [mm]	Width across corners - internal width [mm]	Width of rim [mm]	Distance bath edge to centre of waste hole [mm]	Side length [mm]	Net weight [kg]
	a ₁	a _s	b ₁	b _s	c ₁	c ₄	c ₁₀	d ₁	d ₂	d ₃	d ₄	e _s	f ₂ ; f ₃	j _s	
469	800	690	800	690	25	32	120	-	-	-	-	50	200; 200	-	16
475	900	790	900	790	25	32	120	-	-	-	-	50	200; 200	-	21
476	750	640	1000	890	25	32	120	-	-	-	-	50	200; 200	-	20
477	800	700	1000	900	25	32	120	-	-	-	-	50	200; 200	-	21
478	900	790	1000	890	25	32	120	-	-	-	-	50	200; 200	-	24
479	1000	870	1000	870	25	32	120	-	-	-	-	50	200; 200	-	27
480	900	790	1100	990	25	32	120	-	-	-	-	50	200; 200	-	26
481	700	590	1200	1090	25	32	120	-	-	-	-	50	200; 200	-	23
482	750	640	1200	1090	25	32	120	-	-	-	-	50	200; 225	-	24
483	800	700	1200	1100	25	32	120	-	-	-	-	50	200; 200	-	26
484	900	790	1200	1090	25	32	120	-	-	-	-	50	200; 200	-	30
485	1000	890	1200	1090	25	32	120	-	-	-	-	50	200; 200	-	31
486	1200	1070	1200	1070	25	32	120	-	-	-	-	50	200; 200	-	37
494	1500	1390	1500	1390	52	32	105	-	-	-	-	50	200; 200	-	55

Drain Hole Model	Order No.	Dimensions (mm)	EUR			
			Alpine White (I)	Sanitary Colours (II, III)	Coord. Colours (IV)	
SUPERPLAN PLUS Ø 120 MM	469-1	4697 0001 xxxx	800 x 800 x 25	627.00	814.00	627.00
	475-1	4700 0001 xxxx	900 x 900 x 25	627.00	814.00	627.00
	476-1	4701 0001 xxxx	1000 x 750 x 25	859.00	1,116.00	859.00
	477-1	4702 0001 xxxx	1000 x 800 x 25	837.00	1,088.00	837.00
	478-1	4703 0001 xxxx	1000 x 900 x 25	837.00	1,088.00	837.00
	479-1	4704 0001 xxxx	1000 x 1000 x 25	837.00	1,088.00	837.00
	480-1	4705 0001 xxxx	1100 x 900 x 25	917.00	1,192.00	917.00
	481-1	4706 0001 xxxx	1200 x 700 x 25	976.00	1,268.00	976.00
	482-1	4707 0001 xxxx	1200 x 750 x 25	976.00	1,268.00	976.00
	483-1	4708 0001 xxxx	1200 x 800 x 25	951.00	1,235.00	951.00
	484-1	4709 0001 xxxx	1200 x 900 x 25	951.00	1,235.00	951.00
	485-1	4710 0001 xxxx	1200 x 1000 x 25	951.00	1,235.00	951.00
	486-1	4711 0001 xxxx	1200 x 1200 x 25	938.00	1,219.00	938.00
	494-1	4714 0001 xxxx	1500 x 1500 x 52	1,559.00	2,027.00	1,559.00
SUPERPLAN PLUS WITH SUPPORT Total height with support: 120 mm	469-2	4697 4804 xxxx	800 x 800 x 25	690.00	895.00	690.00
	475-2	4700 4804 xxxx	900 x 900 x 25	690.00	895.00	690.00
	476-2	4701 4804 xxxx	1000 x 750 x 25	942.00	1,224.00	942.00
	477-2	4702 4804 xxxx	1000 x 800 x 25	920.00	1,197.00	920.00
	478-2	4703 4804 xxxx	1000 x 900 x 25	920.00	1,197.00	920.00
	479-2	4704 4804 xxxx	1000 x 1000 x 25	920.00	1,197.00	920.00
	480-2	4705 4804 xxxx	1100 x 900 x 25	1,001.00	1,300.00	1,001.00
	481-2	4706 4804 xxxx	1200 x 700 x 25	1,059.00	1,377.00	1,059.00
	482-2	4707 4804 xxxx	1200 x 750 x 25	1,059.00	1,377.00	1,059.00
	483-2	4708 4804 xxxx	1200 x 800 x 25	1,035.00	1,347.00	1,035.00
	484-2	4709 4804 xxxx	1200 x 900 x 25	1,035.00	1,347.00	1,035.00
485-2	4710 4804 xxxx	1200 x 1000 x 25	1,035.00	1,347.00	1,035.00	
486-2	4711 4804 xxxx	1200 x 1200 x 25	1,023.00	1,329.00	1,023.00	
SUPERPLAN PLUS WITH SUPPORT Total height with support: 145 mm	494-2	4714 4804 xxxx	1500 x 1500 x 52	1,674.00	2,177.00	1,674.00

	Drain Hole Model	Order No.	Dimensions (mm)	EUR			
				Alpine White (I)	Sanitary Colours (II, III)	Coord. Colours (IV)	
SUPERPLAN PLUS WITH EXTRA FLAT TRAY SUPPORT	Ø 120 MM	469-5	46974798xxxx	800 x 800 x 25	661.00	859.00	661.00
		475-5	47004798xxxx	900 x 900 x 25	661.00	859.00	661.00
		476-5	47014798xxxx	1000 x 750 x 25	902.00	1,174.00	902.00
		477-5	47024798xxxx	1000 x 800 x 25	881.00	1,145.00	881.00
		478-5	47034798xxxx	1000 x 900 x 25	881.00	1,145.00	881.00
		479-5	47044798xxxx	1000 x 1000 x 25	881.00	1,145.00	881.00
		480-5	47054798xxxx	1100 x 900 x 25	962.00	1,250.00	962.00
		481-5	47064798xxxx	1200 x 700 x 25	1,019.00	1,325.00	1,019.00
		482-5	47074798xxxx	1200 x 750 x 25	1,019.00	1,325.00	1,019.00
		483-5	47084798xxxx	1200 x 800 x 25	994.00	1,293.00	994.00
		484-5	47094798xxxx	1200 x 900 x 25	994.00	1,293.00	994.00
		485-5	47104798xxxx	1200 x 1000 x 25	994.00	1,293.00	994.00
		486-5	47114798xxxx	1200 x 1200 x 25	983.00	1,277.00	983.00

OPTIONAL: SURFACE FINISHES	Model	Order No.	Price	Alpine White (I)	Sanitary Colours (II, III)	Coord. Colours (IV)
INVISIBLE GRIP Full base, almost invisible slip resistance. Cannot be combined with easy-clean finish		xxxxxxxx1xxx		without extra charge		
ANTI-SLIP SECURE PLUS Full base slip resistance in matt look. Cannot be combined with easy-clean finish		xxxxxxxx2xxx		without extra charge		
Easy-clean finish		xxxxxxxx3xxx		89.50	89.50	89.50
Full anti-slip				239.50	239.50	
Partial anti-slip				119.00	119.00	

REQUIRED: INFLOW/OUTFLOW TECHNOLOGY^{•1}	Model	Order No.	Price	Alpine White (I)	Sanitary Colours (II, III)	Coord. Colours (IV)
Waste fitting KA 120 horizontal without waste cover, hair catcher included in the scope of delivery. Universally applicable for FR and ESR.	4106	687772530000	113.50			
Waste fitting KA 120 flat without waste cover, hair catcher included in the scope of delivery. Universally applicable for FR and ESR.	4107	687772510000	134.50			
Waste fitting KA 120 vertical without waste cover, hair catcher included in the scope of delivery. Universally applicable for FR and ESR.	4108	687772520000	155.00			
Ablaufdeckel KA 120 für SUPERPLAN PLUS						
enamelled		68777258xxxx		41.50	83.00	41.50
enamelled anti-slip SECURE PLUS		687772582xxx		41.50		41.50
enamelled INVISIBLE GRIP		687772581001		41.50		

OPTIONAL: INSTALLATION^{•1}	Model	Order No.	Price	Alpine White (I)	Sanitary Colours (II, III)	Coord. Colours (IV)
ESR floor level installation system (for -1 models)						
800 x 800 (recess 828 x 828)		6400 0011 0000	425.00			
900 x 900 (recess 928 x 928)		6400 0015 0000	425.00			
1000 x 750 (recess 1028 x 778)		6400 0016 0000	425.00			
1000 x 800 (recess 1028 x 828)		6400 0017 0000	425.00			
1000 x 900 (recess 1028 x 928)		6400 0018 0000	425.00			
1000 x 1000 (recess 1028 x 1028)		6400 0019 0000	425.00			
1100 x 900 (recess 1128 x 928)		6400 0021 0000	425.00			
1200 x 700 (recess 1228 x 728)		6400 0022 0000	468.00			
1200 x 750 (recess 1228 x 778)		6400 0023 0000	468.00			
1200 x 800 (recess 1228 x 828)		6400 0024 0000	468.00			
1200 x 900 (recess 1228 x 928)		6400 0025 0000	468.00			
1200 x 1000 (recess 1228 x 1028)		6400 0027 0000	468.00			
1200 x 1200 (recess 1228 x 1228)		6400 0028 0000	468.00			
1500 x 1500 (recess 1528 x 1528)		6400 0041 0000	765.00			
Shower tray foot frame FR 5300						
Size adjustment up to 900 x 900		5300 0012 0000	171.00			
Size adjustment up to 1200 x 1200		5300 0013 0000	188.50			
Size adjustment up to 1800 x 1500		5300 0014 0000	268.00			
Central support system MAS 5305 required for shower trays larger than 900 mm		6880 7653 0000	26.50			
Sealing kit FLEX		6897 2052 0000	51.50			
Sealing kit floor-level		6897 2049 0000	152.50			
Cut protection tape 4,6m for shower surfaces ≤ 1000 x 1200 mm		6897 2057 0000	67.00			
Cut protection tape 6,6m for shower surfaces > 1000 x 1200 mm		6897 2058 0000	96.50			
Shower tray sound absorbing set DW-ADS		6876 7572 0000	37.00			
Installation tape WES 130 For sound insulation and separation between the bottom edge of the product and the brickwork		6876 7654 0000	15.50			

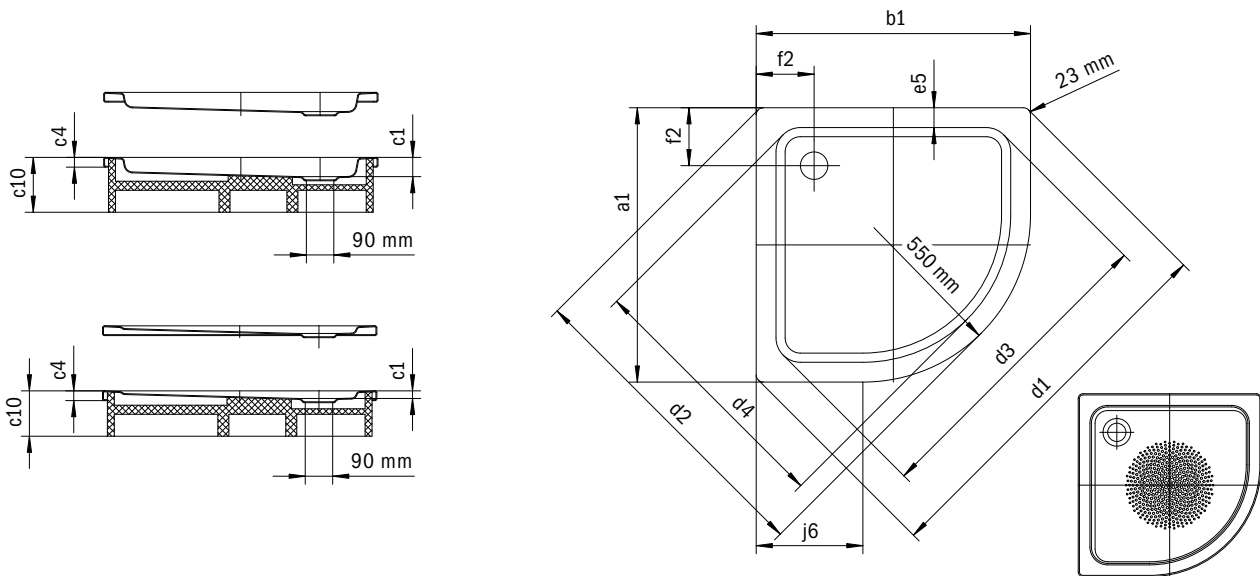
ARRONDO

- Quad shower tray with minimalist contours
- Generous standing area with lots of room to move when showering
- Space-saving shape
- 550 mm radius
- Waste cover integrated almost flush into the shower surface (only in combination with the KA 90 waste fittings)



Similar illustration

	ALPINE WHITE	SANITARY COLOURS				COORDINATED COLOURS	ALPINE WHITE MATT										BLACK					
	001	BAHAMABEIGE	MANHATTAN	PERGAMON	701	711	WARM BEIGE 20	WARM BEIGE 40	WARM GREY 10	WARM GREY 30	WARM GREY 50	WARM GREY 60	WARM GREY 70	WARM GREY 80	WARM GREY 85	WARM GREY 90	COOL GREY 30	COOL GREY 40	COOL GREY 70	COOL GREY 80	COOL GREY 90	BLACK MATT 100
ARRONDO		030	199	231		661	662	668	669	670	671	672	673	674	675	663	664	665	666	667	676	



Model	External length [mm]	Internal length [mm]	External width [mm]	Internal width [mm]	Depth inside [mm]	Height of rim [mm]	Height with support [mm]	Width across corners - external length [mm]	Width across corners - external width [mm]	Width across corners - internal length [mm]	Width across corners - internal width [mm]	Width of rim [mm]	Distance bath edge to centre of waste hole [mm]	Side length [mm]	Net weight [kg]
	a ₁	a ₅	b ₁	b ₅	c ₁	c ₄	c ₁₀	d ₁	d ₂	d ₃	d ₄	e ₅	f ₂	j ₆	
870	900	-	900	-	25	32	120	1254	1035	1023	855	65	190	350	20
871	900	-	900	-	65	32	160	1254	1035	1023	855	65	190	350	21
872	1000	-	1000	-	25	32	120	1395	1177	1164	996	65	190	450	24
873	1000	-	1000	-	65	32	160	1395	1177	1164	996	65	190	450	25

	Total height				Fitting height
	Model-1		Model-2		Model-1
	25 mm depth	65 mm depth	25 mm depth	65 mm depth	
KA 90 horizontal	105	145	120	160	80
KA 90 flat	85	125	120	160	60
KA 90 vertical	49	49	120	160	80

	Drain Hole	Model	Order No.	Dimensions (mm)	EUR		
					Alpine White (I)	Sanitary Colours (II, III)	Coord. Colours (IV)
ARRONDO	Ø 90 MM	870-1	4600 0001 xxxx	900 x 900 x 25	809.00	1,052.00	891.00
		871-1	4601 0001 xxxx	900 x 900 x 65	809.00	1,052.00	
		872-1	4602 0001 xxxx	1000 x 1000 x 25	918.00	1,194.00	1,012.00
		873-1	4603 0001 xxxx	1000 x 1000 x 65	918.00	1,194.00	
ARRONDO WITH SUPPORT	Ø 90 MM	870-2	4600 4804 xxxx	900 x 900 x 25	974.00	1,268.00	1,073.00
		Total height with support: 120 mm	872-2	4602 4804 xxxx	1000 x 1000 x 25	1,082.00	1,408.00
ARRONDO WITH SUPPORT	Ø 90 MM	871-2	4601 4804 xxxx	900 x 900 x 65	974.00	1,268.00	
		Total height with support: 160 mm	873-2	4603 4804 xxxx	1000 x 1000 x 65	1,082.00	1,408.00

OPTIONAL: SURFACE FINISHES	Model	Order No.	Price	Alpine White (I)	Sanitary Colours (II, III)	Coord. Colours (IV)
INVISIBLE GRIP Full base, almost invisible slip resistance. Cannot be combined with easy-clean finish		xxxxxxx1xxx		167.50		
Easy-clean finish		xxxxxxx3xxx		89.50	89.50	89.50
Partial anti-slip				119.00	119.00	

OPTIONAL: INFLOW/OUTFLOW TECHNOLOGY^{•1}	Model	Order No.	Price	Alpine White (I)	Sanitary Colours (II, III)	Coord. Colours (IV)
Waste fitting KA 90 horizontal Chrome waste cover, hair catcher included in scope of delivery. Universally applicable for FR and ESR. Optional accessories: enamelled waste cover for KA 90	4103	6877 7256 0999	103.00			
Waste fitting KA 90 flat Chrome waste cover, hair catcher included in scope of delivery. Universally applicable for FR and ESR. Optional accessories: enamelled waste cover for KA 90	4104	6877 7254 0999	123.50			
Waste fitting KA 90 vertical Chrome waste cover, hair catcher included in scope of delivery. Universally applicable for FR and ESR. Optional accessories: enamelled waste cover for KA 90	4105	6877 7255 0999	144.00			
Waste cover KA 90 in addition to the fittings 4103, 4104, 4105						
enamelled		6877 7259 xxxx		41.50	83.00	41.50
enamelled INVISIBLE GRIP		6877 7259 1001		41.50		

OPTIONAL: INSTALLATION^{•1}	Model	Order No.	Price	Alpine White (I)	Sanitary Colours (II, III)	Coord. Colours (IV)
Shower tray foot frame FR 5300 Size adjustment up to 1000 x 1000 (ARRONDO)	5300	5300 0017 0000	197.50			
Central support system MAS 5305 required for shower trays larger than 900 mm		6880 7653 0000	26.50			
Sealing kit FLEX		6897 2052 0000	51.50			
Sealing kit floor-level quadrant		6897 2051 0000	152.50			
Cut protection tape 4,6m for shower surfaces ≤ 1000 x 1200 mm		6897 2057 0000	67.00			
Shower tray sound absorbing set DW-ADS		6876 7572 0000	37.00			
Installation tape WES 130 For sound insulation and separation between the bottom edge of the product and the brickwork		6876 7654 0000	15.50			

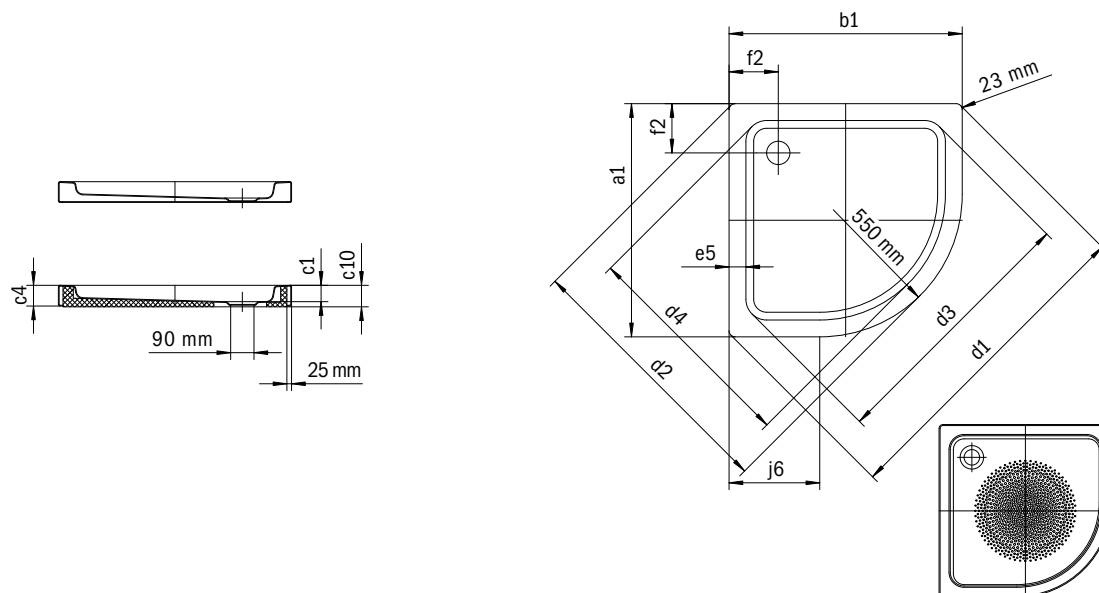
ARRONDO WITH APRON

- Apron saves you tiling the shower tray in
- Quad shower tray with minimalist contours
- Generous standing area with lots of room to move when showering
- Space-saving shape
- 550 mm radius
- Waste cover integrated almost flush into the shower surface (only in combination with the KA 90 waste fittings)



Similar illustration

	ALPINE WHITE 001	SANITARY COLOURS	BAHAMABEIGE 030	MANHATTAN 199	PERGAMON 231	BLACK 701	COORDINATED COLOURS	ALPINE WHITE MATT	WARM BEIGE 20	WARM BEIGE 40	WARM GREY 10	WARM GREY 30	WARM GREY 50	WARM GREY 60	WARM GREY 70	WARM GREY 80	WARM GREY 85	WARM GREY 90	COOL GREY 30	COOL GREY 40	COOL GREY 70	COOL GREY 80	COOL GREY 90	BLACK MATT 100
ARRONDO																								



Model	External length [mm]	Internal length [mm]	External width [mm]	Internal width [mm]	Depth inside [mm]	Height of rim [mm]	Height with support [mm]	Width across corners - external length [mm]	Width across corners - external width [mm]	Width across corners - internal length [mm]	Width across corners - internal width [mm]	Width of rim [mm]	Distance bath edge to centre of waste hole [mm]	Side length [mm]	Net weight [kg]
	a ₁	a ₅	b ₁	b ₅	c ₁	c ₄	c ₁₀	d ₁	d ₂	d ₃	d ₄	e ₅	f ₂	j ₆	
880	900	-	900	-	65	80	83	1254	1035	1023	855	65	190	350	24
881	1000	-	1000	-	65	80	83	1395	1177	1164	996	65	190	450	29

	Total height		Fitting height	
	Model-1	Model-2	Model-1	
KA 90 horizontal	145	83	80	
KA 90 flat	125	83	60	
KA 90 vertical	49	83	80	

	Drain Hole	Model	Order No.	Dimensions (mm)	EUR		
					Alpine White (I)	Sanitary Colours (II, III)	Coord. Colours (IV)
ARRONDO WITH APRON	Ø 90 MM	880-1	4604 0001 xxxx	900 x 900 x 65	899.00	1,167.00	
Total height with panel: 80 mm		881-1	4605 0001 xxxx	1000 x 1000 x 65	1,016.00	1,320.00	
ARRONDO WITH APRON	Ø 90 MM	880-2	4604 4804 xxxx	900 x 900 x 65	1,062.00	1,379.00	
Total height with apron: 83 mm		881-2	4605 4804 xxxx	1000 x 1000 x 65	1,183.00	1,538.00	

OPTIONAL: SURFACE FINISHES				Alpine White (I)	Sanitary Colours (II, III)	Coord. Colours (IV)
	Model	Order No.	Price			
INVISIBLE GRIP Full base, almost invisible slip resistance. Cannot be combined with easy-clean finish		xxxxxxx1xxx		167.50		
Easy-clean finish		xxxxxxx3xxx		89.50	89.50	89.50
Partial anti-slip				119.00	119.00	

OPTIONAL: INFLOW/OUTFLOW TECHNOLOGY^{•1}				Alpine White (I)	Sanitary Colours (II, III)	Coord. Colours (IV)
	Model	Order No.	Price			
Waste fitting KA 90 horizontal Chrome waste cover, hair catcher included in scope of delivery. Universally applicable for FR and ESR. Optional accessories: enamelled waste cover for KA 90	4103	6877 7256 0999	103.00			
Waste fitting KA 90 flat Chrome waste cover, hair catcher included in scope of delivery. Universally applicable for FR and ESR. Optional accessories: enamelled waste cover for KA 90	4104	6877 7254 0999	123.50			
Waste fitting KA 90 vertical Chrome waste cover, hair catcher included in scope of delivery. Universally applicable for FR and ESR. Optional accessories: enamelled waste cover for KA 90	4105	6877 7255 0999	144.00			
Waste cover KA 90 in addition to the fittings 4103, 4104, 4105						
enamelled		6877 7259 xxxx		41.50	83.00	41.50
enamelled INVISIBLE GRIP		6877 7259 1001		41.50		

OPTIONAL: INSTALLATION^{•1}				Alpine White (I)	Sanitary Colours (II, III)	Coord. Colours (IV)
	Model	Order No.	Price			
Shower tray foot frame FR 5300 Size adjustment up to 1000 x 1000 (ARRONDO)		5300 0017 0000	197.50			
Sealing kit FLEX		6897 2052 0000	51.50			
Cut protection tape 4,6m for shower surfaces ≤ 1000 x 1200 mm		6897 2057 0000	67.00			
Shower tray sound absorbing set DW-ADS		6876 7572 0000	37.00			
Installation tape WES 130 For sound insulation and separation between the bottom edge of the product and the brickwork		6876 7654 0000	15.50			

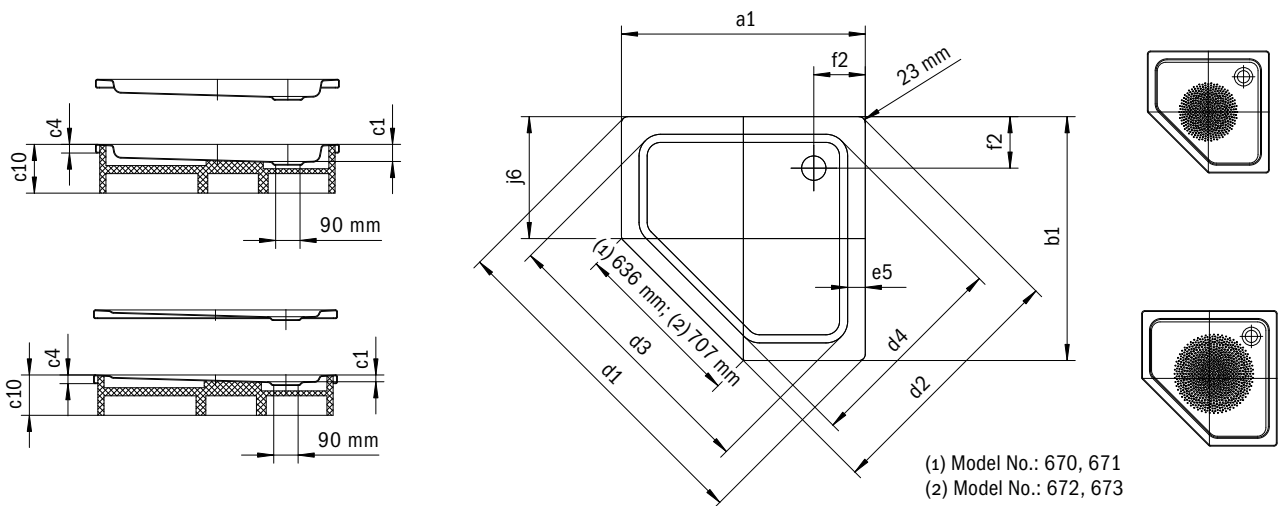
CORNEZZA

- Striking pentagonal shower tray
- Space-saving shape
- Generous standing area with lots of room to move when showering
- Elegant corner solution
- Waste cover integrated almost flush into the shower surface (only in combination with the KA 90 waste fittings)



Similar illustration

	ALPINE WHITE	BAHAMABEIGE	MANHATTAN	PERGAMON	BLACK	COORDINATED COLOURS	ALPINE WHITE MATT	WARM BEIGE 20	WARM BEIGE 40	WARM GREY 10	WARM GREY 30	WARM GREY 50	WARM GREY 60	WARM GREY 70	WARM GREY 80	WARM GREY 85	WARM GREY 90	COOL GREY 30	COOL GREY 40	COOL GREY 70	COOL GREY 80	COOL GREY 90	BLACK MATT 100
CORNEZZA	001	030	199	231	701		711	661	662	668	669	670	671	672	673	674	675	663	664	665	666	667	676



Model	External length [mm]	Internal length [mm]	External width [mm]	Internal width [mm]	Depth inside [mm]	Height of rim [mm]	Height with support [mm]	Width across corners - external length [mm]	Width across corners - external width [mm]	Width across corners - internal length [mm]	Width across corners - internal width [mm]	Width of rim [mm]	Distance bath edge to centre of waste hole [mm]	Side length [mm]	Net weight [kg]
	a ₁	a _s	b ₁	b _s	c ₁	c ₄	c ₁₆	d ₁	d ₂	d _s	d ₄	e _s	f ₂	j ₆	j _s
670	900	-	900	-	25	32	120	1254	945	1023	765	65	190	450	19
671	900	-	900	-	65	32	160	1254	945	1023	765	65	190	450	19
672	1000	-	1000	-	25	32	120	1395	1051	1164	871	65	190	500	23
673	1000	-	1000	-	65	32	160	1395	1051	1164	871	65	190	500	24

	Total height				Fitting height
	Model-1		Model-2		Model-1
	25 mm depth	65 mm depth	25 mm depth	65 mm depth	
KA 90 horizontal	105	145	120	160	80
KA 90 flat	85	125	120	160	60
KA 90 vertical	49	49	120	160	80

	Drain Hole	Model	Order No.	Dimensions (mm)	EUR		
					Alpine White (I)	Sanitary Colours (II, III)	Coord. Colours (IV)
CORNEZZA	Ø 90 MM	670-1	4590 0001 xxxx	900 x 900 x 25	1,140.00	1,482.00	1,255.00
		671-1	4591 0001 xxxx	900 x 900 x 65	1,140.00	1,482.00	
		672-1	4592 0001 xxxx	1000 x 1000 x 25	1,210.00	1,572.00	1,331.00
		673-1	4593 0001 xxxx	1000 x 1000 x 65	1,210.00	1,572.00	
CORNEZZA WITH SUPPORT Total height with support: 120 mm	Ø 90 MM	670-2	4590 4804 xxxx	900 x 900 x 25	1,307.00	1,700.00	1,439.00
		672-2	4592 4804 xxxx	1000 x 1000 x 25	1,377.00	1,790.00	1,516.00
CORNEZZA WITH SUPPORT Total height with support: 160 mm	Ø 90 MM	671-2	4591 4804 xxxx	900 x 900 x 65	1,307.00	1,700.00	
		673-2	4593 4804 xxxx	1000 x 1000 x 65	1,377.00	1,790.00	

OPTIONAL: SURFACE FINISHES	Model	Order No.	Price	Alpine White (I)	Sanitary Colours (II, III)	Coord. Colours (IV)
INVISIBLE GRIP Full base, almost invisible slip resistance. Cannot be combined with easy-clean finish		xxxxxxx1xxx		167.50		
Easy-clean finish		xxxxxxx3xxx		89.50	89.50	89.50
Partial anti-slip				119.00	119.00	

OPTIONAL: INFLOW/OUTFLOW TECHNOLOGY^{•1}	Model	Order No.	Price	Alpine White (I)	Sanitary Colours (II, III)	Coord. Colours (IV)
Waste fitting KA 90 horizontal Chrome waste cover, hair catcher included in scope of delivery. Universally applicable for FR and ESR. Optional accessories: enamelled waste cover for KA 90	4103	6877 7256 0999	103.00			
Waste fitting KA 90 flat Chrome waste cover, hair catcher included in scope of delivery. Universally applicable for FR and ESR. Optional accessories: enamelled waste cover for KA 90	4104	6877 7254 0999	123.50			
Waste fitting KA 90 vertical Chrome waste cover, hair catcher included in scope of delivery. Universally applicable for FR and ESR. Optional accessories: enamelled waste cover for KA 90	4105	6877 7255 0999	144.00			
Waste cover KA 90 in addition to the fittings 4103, 4104, 4105						
enamelled		6877 7259 xxxx		41.50	83.00	41.50
enamelled INVISIBLE GRIP		6877 7259 1001		41.50		

OPTIONAL: INSTALLATION^{•1}	Model	Order No.	Price	Alpine White (I)	Sanitary Colours (II, III)	Coord. Colours (IV)
Shower tray foot frame FR 5300 Size adjustment up to 1000 x 1000 (CORNEZZA)		5300 0015 0000	207.00			
Central support system MAS 5305 required for shower trays larger than 900 mm		6880 7653 0000	26.50			
Sealing kit FLEX		6897 2052 0000	51.50			
Sealing kit floor-level pentagonal		6897 2050 0000	152.50			
Cut protection tape 4,6m for shower surfaces ≤ 1000 x 1200 mm		6897 2057 0000	67.00			
Shower tray sound absorbing set DW-ADS		6876 7572 0000	37.00			
Installation tape WES 130 For sound insulation and separation between the bottom edge of the product and the brickwork		6876 7654 0000	15.50			

SCONA

Discontinued item

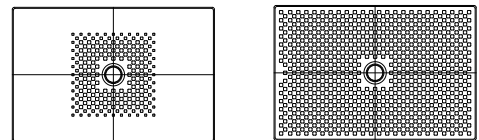
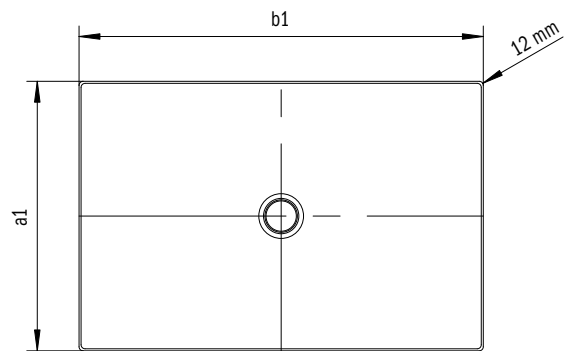
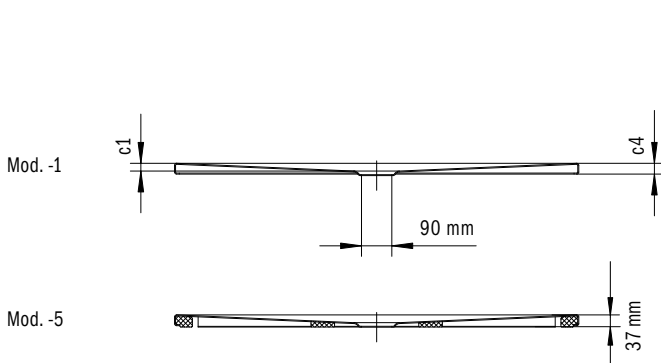
- Harmonious design with centrally-placed waste
- Can be installed absolutely flush with the floor
- Waste cover integrated almost flush into the shower surface (only in combination with the KA 90 waste fittings)



ANTISLIP SECURE PLUS
INVISIBLE GRIP

Similar illustration

	ALPINE WHITE	SANITARY COLOURS				COORDINATED COLOURS																
	001	BAHAMABEIGE	MANHATTAN	PERGAMON	BLACK	ALPINE WHITE MATT	WARM BEIGE 20	WARM BEIGE 40	WARM GREY 10	WARM GREY 30	WARM GREY 50	WARM GREY 60	WARM GREY 70	WARM GREY 80	WARM GREY 85	WARM GREY 90	COOL GREY 30	COOL GREY 40	COOL GREY 70	COOL GREY 80	COOL GREY 90	BLACK MATT 100
SCONA	001	030	199	231	701	711	661	662	668	669	670	671	672	673	674	675	663	664	665	666	667	676



	Total height		Fitting height	
	Model-1	Model-5	Model-1	Model-5
KA 90 horizontal	103	103	80	80
KA 90 flat	83	83	60	60
KA 90 vertical	49	37	80	80

Model	External length [mm]	Internal length [mm]	External width [mm]	Internal width [mm]	Depth inside [mm]	Height of rim [mm]	Height with support [mm]	Width across corners - external length [mm]	Width across corners - external width [mm]	Width across corners - internal length [mm]	Width across corners - internal width [mm]	Width of rim [mm]	Distance bath edge to centre of waste hole [mm]	Side length [mm]	Net weight [kg]
	a ₁	a _s	b ₁	b _s	c ₁	c ₄	c ₁₀	d ₁	d ₂	d ₃	d ₄	e _s	f ₂ ; f ₃	j _s	
908	750	-	800		23	32	-	-	-	-	-	-	-	-	16
911	800	-	800		23	32	-	-	-	-	-	-	-	-	17
940	700	-	900		23	32	-	-	-	-	-	-	-	-	17
912	750	-	900		23	32	-	-	-	-	-	-	-	-	18
941	800	-	900		23	32	-	-	-	-	-	-	-	-	19
913	900	-	900		23	32	-	-	-	-	-	-	-	-	21
942	750	-	1000		23	32	-	-	-	-	-	-	-	-	19
914	800	-	1000		23	32	-	-	-	-	-	-	-	-	21
915	900	-	1000		23	32	-	-	-	-	-	-	-	-	23
916	1000	-	1000		23	32	-	-	-	-	-	-	-	-	26
943	800	-	1100		23	32	-	-	-	-	-	-	-	-	23
963	900	-	1100		23	32	-	-	-	-	-	-	-	-	25
964	1000	-	1100		23	32	-	-	-	-	-	-	-	-	27
965	700	-	1200		23	32	-	-	-	-	-	-	-	-	21
966	750	-	1200		23	32	-	-	-	-	-	-	-	-	23
917	800	-	1200		23	32	-	-	-	-	-	-	-	-	25
918	900	-	1200		23	32	-	-	-	-	-	-	-	-	28
967	1000	-	1200		23	32	-	-	-	-	-	-	-	-	30
968	1200	-	1200		23	32	-	-	-	-	-	-	-	-	37
969	800	-	1300		23	32	-	-	-	-	-	-	-	-	26
970	900	-	1300		23	32	-	-	-	-	-	-	-	-	30
972	1000	-	1300		23	32	-	-	-	-	-	-	-	-	34
974	700	-	1400		23	32	-	-	-	-	-	-	-	-	25
975	750	-	1400		23	32	-	-	-	-	-	-	-	-	27
976	800	-	1400		23	32	-	-	-	-	-	-	-	-	29
919	900	-	1400		23	32	-	-	-	-	-	-	-	-	31
977	1000	-	1400		23	32	-	-	-	-	-	-	-	-	35
978	700	-	1500		23	32	-	-	-	-	-	-	-	-	28
979	750	-	1500		23	32	-	-	-	-	-	-	-	-	31
982	800	-	1500		23	32	-	-	-	-	-	-	-	-	33
983	900	-	1500		23	32	-	-	-	-	-	-	-	-	35
984	1000	-	1500		23	32	-	-	-	-	-	-	-	-	38
985	700	-	1600		23	32	-	-	-	-	-	-	-	-	28
986	750	-	1600		23	32	-	-	-	-	-	-	-	-	30
987	800	-	1600		23	32	-	-	-	-	-	-	-	-	35
988	900	-	1600		23	32	-	-	-	-	-	-	-	-	37
989	1000	-	1600		23	32	-	-	-	-	-	-	-	-	40
991	700	-	1700		23	32	-	-	-	-	-	-	-	-	30
993	750	-	1700		23	32	-	-	-	-	-	-	-	-	33
994	900	-	1700		23	32	-	-	-	-	-	-	-	-	40
995	1000	-	1700		23	32	-	-	-	-	-	-	-	-	43
996	800	-	1800		23	32	-	-	-	-	-	-	-	-	37
997	900	-	1800		23	32	-	-	-	-	-	-	-	-	41
998	1000	-	1800		23	32	-	-	-	-	-	-	-	-	44

SCONA	Drain Hole Model	Order No.	Dimensions (mm)	EUR			
				Alpine White (I)	Sanitary Colours (II, III)	Coord. Colours (IV)	
	Ø 90 MM	908-1	4908 0001 xxxx	800 x 750 x 23	697.00	908.00	767.00
		911-1	4911 0001 xxxx	800 x 800 x 23	605.00	787.00	666.00
		940-1	4940 0001 xxxx	900 x 700 x 23	683.00	886.00	751.00
		912-1	4912 0001 xxxx	900 x 750 x 23	634.00	825.00	697.00
		941-1	4941 0001 xxxx	900 x 800 x 23	683.00	886.00	751.00
		913-1	4913 0001 xxxx	900 x 900 x 23	605.00	787.00	666.00
		942-1	4942 0001 xxxx	1000 x 750 x 23	791.00	1,026.00	870.00
		914-1	4914 0001 xxxx	1000 x 800 x 23	773.00	1,005.00	850.00
		915-1	4915 0001 xxxx	1000 x 900 x 23	773.00	1,005.00	850.00
		916-1	4916 0001 xxxx	1000 x 1000 x 23	773.00	1,005.00	850.00
		943-1	4943 0001 xxxx	1100 x 800 x 23	819.00	1,064.00	900.00
		963-1	4963 0001 xxxx	1100 x 900 x 23	819.00	1,064.00	900.00
		964-1	4964 0001 xxxx	1100 x 1000 x 23	836.00	1,088.00	920.00
		965-1	4965 0001 xxxx	1200 x 700 x 23	906.00	1,178.00	996.00
		966-1	4966 0001 xxxx	1200 x 750 x 23	906.00	1,178.00	996.00
		917-1	4917 0001 xxxx	1200 x 800 x 23	879.00	1,142.00	967.00
		918-1	4918 0001 xxxx	1200 x 900 x 23	879.00	1,142.00	967.00
		967-1	4967 0001 xxxx	1200 x 1000 x 23	879.00	1,142.00	967.00
		968-1	4968 0001 xxxx	1200 x 1200 x 23	879.00	1,142.00	967.00
		969-1	4969 0001 xxxx	1300 x 800 x 23	915.00	1,190.00	1,007.00
		970-1	4970 0001 xxxx	1300 x 900 x 23	915.00	1,190.00	1,007.00
		972-1	4972 0001 xxxx	1300 x 1000 x 23	915.00	1,190.00	1,007.00
		974-1	4974 0001 xxxx	1400 x 700 x 23	915.00	1,190.00	1,007.00
		975-1	4975 0001 xxxx	1400 x 750 x 23	915.00	1,190.00	1,007.00
		976-1	4976 0001 xxxx	1400 x 800 x 23	915.00	1,190.00	1,007.00
		919-1	4919 0001 xxxx	1400 x 900 x 23	915.00	1,190.00	1,007.00
		977-1	4977 0001 xxxx	1400 x 1000 x 23	933.00	1,212.00	1,026.00
		978-1	4978 0001 xxxx	1500 x 700 x 23	933.00	1,212.00	1,026.00
		979-1	4979 0001 xxxx	1500 x 750 x 23	933.00	1,212.00	1,026.00
		982-1	4982 0001 xxxx	1500 x 800 x 23	933.00	1,212.00	1,026.00
		983-1	4983 0001 xxxx	1500 x 900 x 23	933.00	1,212.00	1,026.00
		984-1	4984 0001 xxxx	1500 x 1000 x 23	933.00	1,212.00	1,026.00
		985-1	4985 0001 xxxx	1600 x 700 x 23	987.00	1,282.00	1,086.00
		986-1	4986 0001 xxxx	1600 x 750 x 23	987.00	1,282.00	1,086.00
		987-1	4987 0001 xxxx	1600 x 800 x 23	987.00	1,282.00	1,086.00
		988-1	4988 0001 xxxx	1600 x 900 x 23	987.00	1,282.00	1,086.00
		989-1	4989 0001 xxxx	1600 x 1000 x 23	987.00	1,282.00	1,086.00
		991-1	4991 0001 xxxx	1700 x 700 x 23	987.00	1,282.00	1,086.00
		993-1	4993 0001 xxxx	1700 x 750 x 23	987.00	1,282.00	1,086.00
		994-1	4994 0001 xxxx	1700 x 900 x 23	987.00	1,282.00	1,086.00
		995-1	4995 0001 xxxx	1700 x 1000 x 23	1,059.00	1,377.00	1,165.00
		996-1	4996 0001 xxxx	1800 x 800 x 23	1,035.00	1,345.00	1,138.00
		997-1	4997 0001 xxxx	1800 x 900 x 23	1,035.00	1,345.00	1,138.00
		998-1	4998 0001 xxxx	1800 x 1000 x 23	1,059.00	1,377.00	1,165.00

	Drain Hole	Model	Order No.	Dimensions (mm)	EUR		
					Alpine White (I)	Sanitary Colours (II, III)	Coord. Colours (IV)
SCONA WITH EXTRA FLAT SUPPORT	Ø 90 MM	908-5	4908 4798 XXXX	800 x 750 x 23	742.00	965.00	816.00
		911-5	4911 4798 XXXX	800 x 800 x 23	650.00	845.00	715.00
		940-5	4940 4798 XXXX	900 x 700 x 23	728.00	944.00	800.00
		912-5	4912 4798 XXXX	900 x 750 x 23	679.00	882.00	746.00
		941-5	4941 4798 XXXX	900 x 800 x 23	728.00	944.00	800.00
		913-5	4913 4798 XXXX	900 x 900 x 23	650.00	845.00	715.00
		942-5	4942 4798 XXXX	1000 x 750 x 23	834.00	1,084.00	918.00
		914-5	4914 4798 XXXX	1000 x 800 x 23	818.00	1,062.00	899.00
		915-5	4915 4798 XXXX	1000 x 900 x 23	818.00	1,062.00	899.00
		916-5	4916 4798 XXXX	1000 x 1000 x 23	818.00	1,062.00	899.00
		943-5	4943 4798 XXXX	1100 x 800 x 23	863.00	1,122.00	949.00
		963-5	4963 4798 XXXX	1100 x 900 x 23	863.00	1,122.00	949.00
		964-5	4964 4798 XXXX	1100 x 1000 x 23	881.00	1,145.00	969.00
		965-5	4965 4798 XXXX	1200 x 700 x 23	951.00	1,235.00	1,044.00
		966-5	4966 4798 XXXX	1200 x 750 x 23	951.00	1,235.00	1,044.00
		917-5	4917 4798 XXXX	1200 x 800 x 23	924.00	1,199.00	1,016.00
		918-5	4918 4794 XXXX	1200 x 900 x 23	924.00	1,199.00	1,016.00
		967-5	4967 4798 XXXX	1200 x 1000 x 23	924.00	1,199.00	1,016.00
		968-5	4968 4798 XXXX	1200 x 1200 x 23	924.00	1,199.00	1,016.00
		969-5	4969 4798 XXXX	1300 x 800 x 23	960.00	1,248.00	1,055.00
		970-5	4970 4798 XXXX	1300 x 900 x 23	960.00	1,248.00	1,055.00
		972-5	4972 4794 XXXX	1300 x 1000 x 23	960.00	1,248.00	1,055.00
		974-5	4974 4798 XXXX	1400 x 700 x 23	974.00	1,266.00	1,071.00
		975-5	4975 4798 XXXX	1400 x 750 x 23	974.00	1,266.00	1,071.00
		976-5	4976 4798 XXXX	1400 x 800 x 23	974.00	1,266.00	1,071.00
		919-5	4919 4798 XXXX	1400 x 900 x 23	974.00	1,266.00	1,071.00
		977-5	4977 4798 XXXX	1400 x 1000 x 23	990.00	1,287.00	1,089.00
		978-5	4978 4798 XXXX	1500 x 700 x 23	990.00	1,287.00	1,089.00
		979-5	4979 4798 XXXX	1500 x 750 x 23	990.00	1,287.00	1,089.00
		982-5	4982 4798 XXXX	1500 x 800 x 23	990.00	1,287.00	1,089.00
		983-5	4983 4798 XXXX	1500 x 900 x 23	990.00	1,287.00	1,089.00
		984-5	4984 4798 XXXX	1500 x 1000 x 23	990.00	1,287.00	1,089.00
		985-5	4985 4798 XXXX	1600 x 700 x 23	1,062.00	1,381.00	1,169.00
		986-5	4986 4798 XXXX	1600 x 750 x 23	1,062.00	1,381.00	1,169.00
		987-5	4987 4798 XXXX	1600 x 800 x 23	1,062.00	1,381.00	1,169.00
		988-5	4988 4798 XXXX	1600 x 900 x 23	1,062.00	1,381.00	1,169.00
		989-5	4989 4798 XXXX	1600 x 1000 x 23	1,062.00	1,381.00	1,169.00
		991-5	4991 4798 XXXX	1700 x 700 x 23	1,062.00	1,381.00	1,169.00
		993-5	4993 4798 XXXX	1700 x 750 x 23	1,062.00	1,381.00	1,169.00
		994-5	4994 4798 XXXX	1700 x 900 x 23	1,062.00	1,381.00	1,169.00
995-5	4995 4798 XXXX	1700 x 1000 x 23	1,136.00	1,476.00	1,250.00		
996-5	4996 4798 XXXX	1800 x 800 x 23	1,111.00	1,444.00	1,221.00		
997-5	4997 4798 XXXX	1800 x 900 x 23	1,111.00	1,444.00	1,221.00		
998-5	4998 4798 XXXX	1800 x 1000 x 23	1,136.00	1,476.00	1,250.00		

OPTIONAL: SURFACE FINISHES	Model	Order No.	Price	Alpine White (I)	Sanitary Colours (II, III)	Coord. Colours (IV)
INVISIBLE GRIP Full base, almost invisible slip resistance. Cannot be combined with easy-clean finish		xxxxxxx1xxx	167.50			
ANTI-SLIP SECURE PLUS Full base slip resistance in matt look. Cannot be combined with easy-clean finish		xxxxxxx2xxx	167.50			167.50
Easy-clean finish		xxxxxxx3xxx	89.50	89.50	89.50	89.50
Full anti-slip			239.50	239.50	239.50	
Partial anti-slip			119.00	119.00	119.00	

OPTIONAL: INFLOW/OUTFLOW

TECHNOLOGY^{•1}	Model	Order No.	Price	Alpine White (I)	Sanitary Colours (II, III)	Coord. Colours (IV)
Waste fitting KA 90 horizontal Chrome waste cover, hair catcher included in scope of delivery. Universally applicable for FR and ESR. Optional accessories: enamelled waste cover for KA 90	4103	687772560999	103.00			
Waste fitting KA 90 flat Chrome waste cover, hair catcher included in scope of delivery. Universally applicable for FR and ESR. Optional accessories: enamelled waste cover for KA 90	4104	687772540999	123.50			
Waste fitting KA 90 vertical Chrome waste cover, hair catcher included in scope of delivery. Universally applicable for FR and ESR. Optional accessories: enamelled waste cover for KA 90	4105	687772550999	144.00			
Waste cover KA 90 in addition to the fittings 4103, 4104, 4105						
enamelled		68777259xxx		41.50	83.00	41.50
enamelled anti-slip SECURE PLUS		687772592xxx		41.50		41.50
enamelled INVISIBLE GRIP		68777259xxx		41.50		

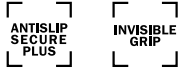
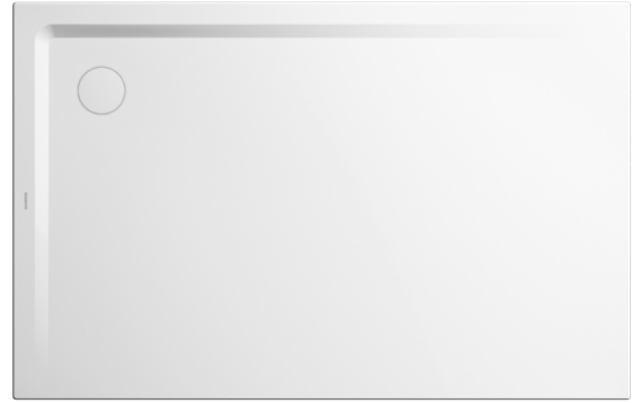
OPTIONAL: INSTALLATION^{•1}

	Model	Order No.	Price	Alpine White (I)	Sanitary Colours (II, III)	Coord. Colours (IV)
ESR floor level installation system (for -1 models)						
800 x 750 (recess 828 x 778)		640000100000	425.00			
800 x 800 (recess 828 x 828)		640000110000	425.00			
900 x 700 (recess 928 x 728)		640000120000	425.00			
900 x 750 (recess 928 x 778)		640000130000	425.00			
900 x 800 (recess 928 x 828)		640000140000	425.00			
900 x 900 (recess 928 x 928)		640000150000	425.00			
1000 x 750 (recess 1028 x 778)		640000160000	425.00			
1000 x 800 (recess 1028 x 828)		640000170000	425.00			
1000 x 900 (recess 1028 x 928)		640000180000	425.00			
1000 x 1000 (recess 1028 x 1028)		640000190000	425.00			
1100 x 800 (recess 1128 x 828)		640000200000	425.00			
1100 x 900 (recess 1128 x 928)		640000210000	425.00			
1100 x 1000 (recess 1128 x 1028)		640000530000	468.00			
1200 x 700 (recess 1228 x 728)		640000220000	468.00			
1200 x 750 (recess 1228 x 778)		640000230000	468.00			
1200 x 800 (recess 1228 x 828)		640000240000	468.00			
1200 x 900 (recess 1228 x 928)		640000250000	468.00			

OPTIONAL: INSTALLATION^{•1}	Model	Order No.	Price	Alpine White (I)	Sanitary Colours (II, III)	Coord. Colours (IV)
ESR floor level installation system (for -1 models)						
1200 x 1000 (recess 1228 x 1028)		6400 0027 0000	468.00			
1200 x 1200 (recess 1228 x 1228)		6400 0028 0000	468.00			
1300 x 800 (recess 1328 x 828)		6400 0029 0000	560.00			
1300 x 900 (recess 1328 x 928)		6400 0030 0000	560.00			
1300 x 1000 (recess 1328 x 1028)		6400 0031 0000	560.00			
1400 x 700 (recess 1428 x 728)		6400 0032 0000	560.00			
1400 x 750 (recess 1428 x 778)		6400 0033 0000	560.00			
1400 x 800 (recess 1428 x 828)		6400 0034 0000	560.00			
1400 x 900 (recess 1428 x 928)		6400 0035 0000	560.00			
1400 x 1000 (recess 1428 x 1028)		6400 0036 0000	560.00			
1500 x 700 (recess 1528 x 728)		6400 0037 0000	765.00			
1500 x 750 (recess 1528 x 778)		6400 0038 0000	765.00			
1500 x 800 (recess 1528 x 828)		6400 0054 0000	765.00			
1500 x 900 (recess 1528 x 928)		6400 0039 0000	765.00			
1500 x 1000 (recess 1528 x 1028)		6400 0040 0000	765.00			
1600 x 700 (recess 1628 x 728)		6400 0042 0000	765.00			
1600 x 750 (recess 1628 x 778)		6400 0043 0000	765.00			
1600 x 800 (recess 1628 x 828)		6400 0055 0000	765.00			
1600 x 900 (recess 1628 x 928)		6400 0044 0000	765.00			
1600 x 1000 (recess 1628 x 1028)		6400 0045 0000	765.00			
1700 x 700 (recess 1728 x 728)		6400 0046 0000	765.00			
1700 x 750 (recess 1728 x 778)		6400 0047 0000	765.00			
1700 x 900 (recess 1728 x 928)		6400 0048 0000	765.00			
1700 x 1000 (recess 1728 x 1028)		6400 0049 0000	765.00			
1800 x 800 (recess 1828 x 828)		6400 0050 0000	765.00			
1800 x 900 (recess 1828 x 928)		6400 0051 0000	765.00			
1800 x 1000 (recess 1828 x 1028)		6400 0052 0000	765.00			
Shower tray foot frame FR 5300						
Size adjustment up to 900 x 900		5300 0012 0000	171.00			
Size adjustment up to 1200 x 1200		5300 0013 0000	188.50			
Size adjustment up to 1800 x 1500		5300 0014 0000	268.00			
Sealing kit FLEX						
		6897 2052 0000	51.50			
Sealing kit floor-level						
		6897 2049 0000	152.50			
Cut protection tape 4,6m						
for shower surfaces ≤ 1000 x 1200 mm		6897 2057 0000	67.00			
Cut protection tape 6,6m						
for shower surfaces > 1000 x 1200 mm		6897 2058 0000	96.50			
Shower tray sound absorbing set DW-ADS						
		6876 7572 0000	37.00			
Central support system MAS 5335						
required for shower trays larger than 900 mm		6880 7746 0000	56.00			
Installation tape WES 130						
For sound insulation and separation between the bottom edge of the product and the brickwork		6876 7654 0000	15.50			

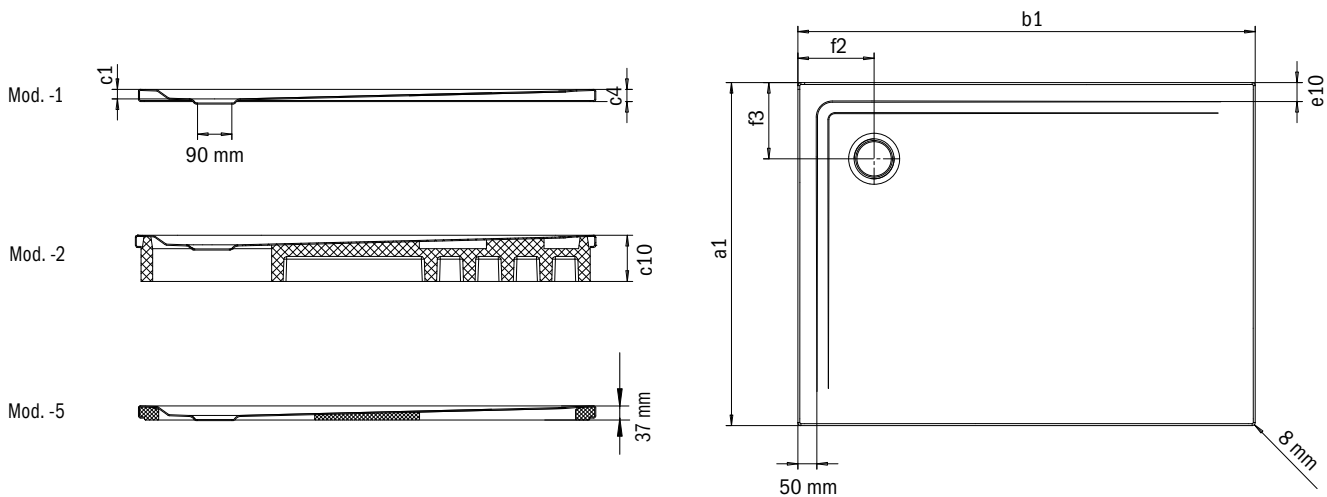
SUPERPLAN

- Step-free entry from two sides
- Low installation height for easy, floor-level installation – also for large formats
- Clear lines, precise edges and sharp corner radii for minimum joints and a uniform look
- Maximum standing area throughout, even with large dimensions
- The corner waste offers great flexibility for waste positioning



Similar illustration

	ALPINE WHITE	SANITARY COLOURS				COORDINATED COLOURS										BLACK						
		BAHAMABEIGE	MANHATTAN	PERGAMON	BLACK	ALPINE WHITE MATT	WARM BEIGE 20	WARM BEIGE 40	WARM GREY 10	WARM GREY 30	WARM GREY 50	WARM GREY 60	WARM GREY 70	WARM GREY 80	WARM GREY 85	WARM GREY 90	COOL GREY 30	COOL GREY 40	COOL GREY 70	COOL GREY 80	COOL GREY 90	BLACK MATT 100
SUPERPLAN	001	030	199	231	701	711	661	662	668	669	670	671	672	673	674	675	663	664	665	666	667	676



	Total height			Fitting height	
	Model-1	Model-2	Model-5	Model-1	Model-5
KA 90 horizontal	105	120	105	80	80
KA 90 flat	85	120	85	60	60
KA 90 vertical	49	120	37	80	80

Model	External length [mm]	Internal length [mm]	External width [mm]	Internal width [mm]	Depth inside [mm]	Height of rim [mm]	Height with support [mm]	Width across corners - external length [mm]	Width across corners - external width [mm]	Width across corners - internal length [mm]	Width across corners - internal width [mm]	Width of rim [mm]	Distance bath edge to centre of waste hole [mm]	Side length [mm]	Net weight [kg]
	a ₁	a _s	b ₁	b _s	c ₁	c ₄	c ₁₀	d ₁	d ₂	d ₃	d ₄	e ₁₀	f ₂ ; f ₃	j _s	
1832	750	-	800	-	25	32	120	-	-	-	-	50	200; 200	-	16
1831	800	-	800	-	25	32	120	-	-	-	-	50	200; 200	-	17
1821	700	-	900	-	25	32	120	-	-	-	-	50	200; 200	-	17
1833	750	-	900	-	25	32	120	-	-	-	-	50	200; 200	-	18
1840	800	-	900	-	25	32	120	-	-	-	-	50	200; 200	-	19
1848	900	-	900	-	25	32	120	-	-	-	-	50	200; 200	-	21
1834	750	-	1000	-	25	32	120	-	-	-	-	50	200; 200	-	20
1841	800	-	1000	-	25	32	120	-	-	-	-	50	200; 200	-	21
1849	900	-	1000	-	25	32	120	-	-	-	-	50	200; 200	-	24
1858	1000	-	1000	-	25	32	120	-	-	-	-	50	200; 200	-	27
1850	900	-	1100	-	25	32	120	-	-	-	-	50	200; 200	-	25
1824	700	-	1200	-	25	32	120	-	-	-	-	50	200; 200	-	23
1835	750	-	1200	-	25	32	120	-	-	-	-	50	200; 200	-	24
1842	800	-	1200	-	25	32	120	-	-	-	-	50	200; 200	-	25
1851	900	-	1200	-	25	32	120	-	-	-	-	50	200; 200	-	28
1859	1000	-	1200	-	25	32	120	-	-	-	-	50	200; 200	-	31
1865	1200	-	1200	-	25	32	120	-	-	-	-	50	200; 200	-	37
1852	900	-	1300	-	25	32	120	-	-	-	-	50	200; 200	-	29
1826	700	-	1400	-	25	32	120	-	-	-	-	50	200; 200	-	25
1836	750	-	1400	-	25	32	120	-	-	-	-	50	200; 200	-	27
1843	800	-	1400	-	25	32	120	-	-	-	-	50	200; 200	-	29
1853	900	-	1400	-	25	32	120	-	-	-	-	50	200; 200	-	33
1860	1000	-	1400	-	25	32	120	-	-	-	-	50	200; 200	-	36
1827	700	-	1500	-	25	32	120	-	-	-	-	50	200; 200	-	27
1837	750	-	1500	-	25	32	120	-	-	-	-	50	200; 200	-	29
1844	800	-	1500	-	25	32	120	-	-	-	-	50	200; 200	-	31
1854	900	-	1500	-	25	32	120	-	-	-	-	50	200; 200	-	35
1861	1000	-	1500	-	25	32	120	-	-	-	-	50	200; 200	-	38
1828	700	-	1600	-	25	32	120	-	-	-	-	50	200; 200	-	29
1838	750	-	1600	-	25	32	120	-	-	-	-	50	200; 200	-	30
1845	800	-	1600	-	25	32	120	-	-	-	-	50	200; 200	-	33
1855	900	-	1600	-	25	32	120	-	-	-	-	50	200; 200	-	37
1862	1000	-	1600	-	25	32	120	-	-	-	-	50	200; 200	-	41
1829	700	-	1700	-	25	32	120	-	-	-	-	50	200; 200	-	31
1839	750	-	1700	-	25	32	120	-	-	-	-	50	200; 200	-	33
1846	800	-	1700	-	25	32	120	-	-	-	-	50	200; 200	-	31
1856	900	-	1700	-	25	32	120	-	-	-	-	50	200; 200	-	40
1863	1000	-	1700	-	25	32	120	-	-	-	-	50	200; 200	-	44
1847	800	-	1800	-	25	32	120	-	-	-	-	50	200; 200	-	37
1857	900	-	1800	-	25	32	120	-	-	-	-	50	200; 200	-	41
1864	1000	-	1800	-	25	32	120	-	-	-	-	50	200; 200	-	45

	Drain Hole Model	Order No.	Dimensions (mm)	EUR			
				Alpine White (I)	Sanitary Colours (II, III)	Coord. Colours (IV)	
SUPERPLAN	Ø 90 MM	1832-1	3832 0001 XXXX	800 x 750 x 25	634.00	823.00	697.00
		1831-1	3831 0001 XXXX	800 x 800 x 25	492.00	639.00	540.00
		1821-1	3821 0001 XXXX	900 x 700 x 25	634.00	823.00	697.00
		1833-1	3833 0001 XXXX	900 x 750 x 25	526.00	683.00	578.00
		1840-1	3840 0001 XXXX	900 x 800 x 25	634.00	823.00	697.00
		1848-1	3848 0001 XXXX	900 x 900 x 25	492.00	639.00	540.00
		1834-1	3834 0001 XXXX	1000 x 750 x 25	735.00	954.00	809.00
		1841-1	3841 0001 XXXX	1000 x 800 x 25	735.00	954.00	809.00
		1849-1	3849 0001 XXXX	1000 x 900 x 25	735.00	954.00	809.00
		1858-1	3858 0001 XXXX	1000 x 1000 x 25	598.00	778.00	659.00
		1850-1	3850 0001 XXXX	1100 x 900 x 25	837.00	1,089.00	922.00
		1824-1	3824 0001 XXXX	1200 x 700 x 25	837.00	1,089.00	922.00
		1835-1	3835 0001 XXXX	1200 x 750 x 25	837.00	1,089.00	922.00
		1842-1	3842 0001 XXXX	1200 x 800 x 25	837.00	1,089.00	922.00
		1851-1	3851 0001 XXXX	1200 x 900 x 25	837.00	1,089.00	922.00
		1859-1	3859 0001 XXXX	1200 x 1000 x 25	837.00	1,089.00	922.00
		1865-1	3865 0001 XXXX	1200 x 1200 x 25	837.00	1,089.00	922.00
		1852-1	3852 0001 XXXX	1300 x 900 x 25	904.00	1,176.00	994.00
		1826-1	3826 0001 XXXX	1400 x 700 x 25	904.00	1,176.00	994.00
		1836-1	3836 0001 XXXX	1400 x 750 x 25	904.00	1,176.00	994.00
		1843-1	3843 0001 XXXX	1400 x 800 x 25	904.00	1,176.00	994.00
		1853-1	3853 0001 XXXX	1400 x 900 x 25	904.00	1,176.00	994.00
		1860-1	3860 0001 XXXX	1400 x 1000 x 25	904.00	1,176.00	994.00
		1827-1	3827 0001 XXXX	1500 x 700 x 25	904.00	1,176.00	994.00
		1837-1	3837 0001 XXXX	1500 x 750 x 25	904.00	1,176.00	994.00
		1844-1	3844 0001 XXXX	1500 x 800 x 25	904.00	1,176.00	994.00
		1854-1	3854 0001 XXXX	1500 x 900 x 25	904.00	1,176.00	994.00
		1861-1	3861 0001 XXXX	1500 x 1000 x 25	904.00	1,176.00	994.00
		1828-1	3828 0001 XXXX	1600 x 700 x 25	971.00	1,262.00	1,068.00
		1838-1	3838 0001 XXXX	1600 x 750 x 25	971.00	1,262.00	1,068.00
		1845-1	3845 0001 XXXX	1600 x 800 x 25	971.00	1,262.00	1,068.00
		1855-1	3855 0001 XXXX	1600 x 900 x 25	971.00	1,262.00	1,068.00
		1862-1	3862 0001 XXXX	1600 x 1000 x 25	971.00	1,262.00	1,068.00
		1829-1	3829 0001 XXXX	1700 x 700 x 25	971.00	1,262.00	1,068.00
		1839-1	3839 0001 XXXX	1700 x 750 x 25	971.00	1,262.00	1,068.00
		1846-1	3846 0001 XXXX	1700 x 800 x 25	971.00	1,262.00	1,068.00
		1856-1	3856 0001 XXXX	1700 x 900 x 25	971.00	1,262.00	1,068.00
		1863-1	3863 0001 XXXX	1700 x 1000 x 25	971.00	1,262.00	1,068.00
		1847-1	3847 0001 XXXX	1800 x 800 x 25	971.00	1,262.00	1,068.00
		1857-1	3857 0001 XXXX	1800 x 900 x 25	971.00	1,262.00	1,068.00
1864-1	3864 0001 XXXX	1800 x 1000 x 25	971.00	1,262.00	1,068.00		

Drain Hole Model	Order No.	Dimensions (mm)	EUR				
			Alpine White (I)	Sanitary Colours (II, III)	Coord. Colours (IV)		
SUPERPLAN WITH SUPPORT	Ø 90 MM	1832-2	3832 4804 XXXX	800 x 750 x 25	704.00	917.00	774.00
Total height with support: 120 mm							
		1831-2	3831 4804 XXXX	800 x 800 x 25	564.00	731.00	620.00
		1821-2	3821 4804 XXXX	900 x 700 x 25	704.00	917.00	774.00
		1833-2	3833 4804 XXXX	900 x 750 x 25	596.00	774.00	656.00
		1840-2	3840 4804 XXXX	900 x 800 x 25	704.00	917.00	774.00
		1848-2	3848 4804 XXXX	900 x 900 x 25	564.00	731.00	620.00
		1834-2	3834 4804 XXXX	1000 x 750 x 25	805.00	1,046.00	886.00
		1841-2	3841 4804 XXXX	1000 x 800 x 25	805.00	1,046.00	886.00
		1849-2	3849 4804 XXXX	1000 x 900 x 25	805.00	1,046.00	886.00
		1858-2	3858 4804 XXXX	1000 x 1000 x 25	670.00	870.00	737.00
		1850-2	3850 4804 XXXX	1100 x 900 x 25	909.00	1,181.00	999.00
		1824-2	3824 4804 XXXX	1200 x 700 x 25	909.00	1,181.00	999.00
		1835-2	3835 4804 XXXX	1200 x 750 x 25	909.00	1,181.00	999.00
		1842-2	3842 4804 XXXX	1200 x 800 x 25	909.00	1,181.00	999.00
		1851-2	3851 4804 XXXX	1200 x 900 x 25	909.00	1,181.00	999.00
		1859-2	3859 4804 XXXX	1200 x 1000 x 25	909.00	1,181.00	999.00
		1865-2	3865 4804 XXXX	1200 x 1200 x 25	909.00	1,181.00	999.00
		1852-2	3852 4804 XXXX	1300 x 900 x 25	1,001.00	1,300.00	1,100.00
		1826-2	3826 4804 XXXX	1400 x 700 x 25	1,001.00	1,300.00	1,100.00
		1836-2	3836 4804 XXXX	1400 x 750 x 25	1,001.00	1,300.00	1,100.00
		1843-2	3843 4804 XXXX	1400 x 800 x 25	1,001.00	1,300.00	1,100.00
		1853-2	3853 4804 XXXX	1400 x 900 x 25	1,001.00	1,300.00	1,100.00
		1860-2	3860 4804 XXXX	1400 x 1000 x 25	1,001.00	1,300.00	1,100.00
		1827-2	3827 4804 XXXX	1500 x 700 x 25	1,001.00	1,300.00	1,100.00
		1837-2	3837 4804 XXXX	1500 x 750 x 25	1,001.00	1,300.00	1,100.00
		1844-2	3844 4804 XXXX	1500 x 800 x 25	1,001.00	1,300.00	1,100.00
		1854-2	3854 4804 XXXX	1500 x 900 x 25	1,001.00	1,300.00	1,100.00
		1861-2	3861 4804 XXXX	1500 x 1000 x 25	1,001.00	1,300.00	1,100.00
		1828-2	3828 4804 XXXX	1600 x 700 x 25	1,097.00	1,424.00	1,205.00
		1838-2	3838 4804 XXXX	1600 x 750 x 25	1,097.00	1,424.00	1,205.00
		1845-2	3845 4804 XXXX	1600 x 800 x 25	1,097.00	1,424.00	1,205.00
		1855-2	3855 4804 XXXX	1600 x 900 x 25	1,097.00	1,424.00	1,205.00
		1862-2	3862 4804 XXXX	1600 x 1000 x 25	1,097.00	1,424.00	1,205.00
		1829-2	3829 4804 XXXX	1700 x 700 x 25	1,097.00	1,424.00	1,205.00
		1839-2	3839 4804 XXXX	1700 x 750 x 25	1,097.00	1,424.00	1,205.00
		1846-2	3846 4804 XXXX	1700 x 800 x 25	1,097.00	1,424.00	1,205.00
		1856-2	3856 4804 XXXX	1700 x 900 x 25	1,097.00	1,424.00	1,205.00
		1863-2	3863 4804 XXXX	1700 x 1000 x 25	1,097.00	1,424.00	1,205.00
		1847-2	3847 4804 XXXX	1800 x 800 x 25	1,097.00	1,424.00	1,205.00
		1857-2	3857 4804 XXXX	1800 x 900 x 25	1,097.00	1,424.00	1,205.00
		1864-2	3864 4804 XXXX	1800 x 1000 x 25	1,097.00	1,424.00	1,205.00

Drain Hole Model	Order No.	Dimensions (mm)	EUR			
			Alpine White (I)	Sanitary Colours (II, III)	Coord. Colours (IV)	
SUPERPLAN WITH EXTRA FLAT TRAY SUPPORT Height with tub support 37 mm	1832-5	3832 4798 XXXX	800 x 750 x 25	657.00	854.00	724.00
	1831-5	3831 4798 XXXX	800 x 800 x 25	515.00	670.00	567.00
	1821-5	3821 4798 XXXX	900 x 700 x 25	657.00	854.00	724.00
	1833-5	3833 4798 XXXX	900 x 750 x 25	549.00	713.00	603.00
	1840-5	3840 4798 XXXX	900 x 800 x 25	657.00	854.00	724.00
	1848-5	3848 4798 XXXX	900 x 900 x 25	515.00	670.00	567.00
	1834-5	3834 4798 XXXX	1000 x 750 x 25	758.00	985.00	834.00
	1841-5	3841 4798 XXXX	1000 x 800 x 25	758.00	985.00	834.00
	1849-5	3849 4798 XXXX	1000 x 900 x 25	758.00	985.00	834.00
	1858-5	3858 4798 XXXX	1000 x 1000 x 25	623.00	809.00	684.00
	1850-5	3850 4798 XXXX	1100 x 900 x 25	861.00	1,120.00	947.00
	1824-5	3824 4798 XXXX	1200 x 700 x 25	861.00	1,120.00	947.00
	1835-5	3835 4798 XXXX	1200 x 750 x 25	861.00	1,120.00	947.00
	1842-5	3842 4798 XXXX	1200 x 800 x 25	861.00	1,120.00	947.00
	1851-5	3851 4798 XXXX	1200 x 900 x 25	861.00	1,120.00	947.00
	1859-5	3859 4798 XXXX	1200 x 1000 x 25	861.00	1,120.00	947.00
	1865-5	3865 4798 XXXX	1200 x 1200 x 25	861.00	1,120.00	947.00
	1852-5	3852 4798 XXXX	1300 x 900 x 25	936.00	1,217.00	1,030.00
	1826-5	3826 4798 XXXX	1400 x 700 x 25	936.00	1,217.00	1,030.00
	1836-5	3836 4798 XXXX	1400 x 750 x 25	936.00	1,217.00	1,030.00
	1843-5	3843 4798 XXXX	1400 x 800 x 25	936.00	1,217.00	1,030.00
	1853-5	3853 4798 XXXX	1400 x 900 x 25	936.00	1,217.00	1,030.00
	1860-5	3860 4798 XXXX	1400 x 1000 x 25	936.00	1,217.00	1,030.00
	1827-5	3827 4798 XXXX	1500 x 700 x 25	936.00	1,217.00	1,030.00
	1837-5	3837 4798 XXXX	1500 x 750 x 25	936.00	1,217.00	1,030.00
	1844-5	3844 4798 XXXX	1500 x 800 x 25	936.00	1,217.00	1,030.00
	1854-5	3854 4798 XXXX	1500 x 900 x 25	936.00	1,217.00	1,030.00
	1861-5	3861 4798 XXXX	1500 x 1000 x 25	936.00	1,217.00	1,030.00
	1828-5	3828 4798 XXXX	1600 x 700 x 25	1,012.00	1,316.00	1,113.00
	1838-5	3838 4798 XXXX	1600 x 750 x 25	1,012.00	1,316.00	1,113.00
	1845-5	3845 4798 XXXX	1600 x 800 x 25	1,012.00	1,316.00	1,113.00
	1855-5	3855 4798 XXXX	1600 x 900 x 25	1,012.00	1,316.00	1,113.00
1862-5	3862 4798 XXXX	1600 x 1000 x 25	1,012.00	1,316.00	1,113.00	
1829-5	3829 4798 XXXX	1700 x 700 x 25	1,012.00	1,316.00	1,113.00	
1839-5	3839 4798 XXXX	1700 x 750 x 25	1,012.00	1,316.00	1,113.00	
1846-5	3846 4798 XXXX	1700 x 800 x 25	1,012.00	1,316.00	1,113.00	
1856-5	3856 4798 XXXX	1700 x 900 x 25	1,012.00	1,316.00	1,113.00	
1863-5	3863 4798 XXXX	1700 x 1000 x 25	1,012.00	1,316.00	1,113.00	
1847-5	3847 4798 XXXX	1800 x 800 x 25	1,012.00	1,316.00	1,113.00	
1857-5	3857 4798 XXXX	1800 x 900 x 25	1,012.00	1,316.00	1,113.00	
1864-5	3864 4798 XXXX	1800 x 1000 x 25	1,012.00	1,316.00	1,113.00	

OPTIONAL: SURFACE FINISHES	Model	Order No.	Price	Alpine White (I)	Sanitary Colours (II, III)	Coord. Colours (IV)
INVISIBLE GRIP Full base, almost invisible slip resistance. Cannot be combined with easy-clean finish		xxxxxxx1xxx	167.50			
ANTI-SLIP SECURE PLUS Full base slip resistance in matt look. Cannot be combined with easy-clean finish		xxxxxxx2xxx	167.50			167.50
Easy-clean finish		xxxxxxx3xxx	89.50	89.50	89.50	89.50

OPTIONAL: INFLOW/OUTFLOW TECHNOLOGY⁻¹

	Model	Order No.	Price	Alpine White (I)	Sanitary Colours (II, III)	Coord. Colours (IV)
Waste fitting KA 90 horizontal Chrome waste cover, hair catcher included in scope of delivery. Universally applicable for FR and ESR. Optional accessories: enamelled waste cover for KA 90	4103	687772560999	103.00			
Waste fitting KA 90 flat Chrome waste cover, hair catcher included in scope of delivery. Universally applicable for FR and ESR. Optional accessories: enamelled waste cover for KA 90	4104	687772540999	123.50			
Waste fitting KA 90 vertical Chrome waste cover, hair catcher included in scope of delivery. Universally applicable for FR and ESR. Optional accessories: enamelled waste cover for KA 90	4105	687772550999	144.00			
Waste cover KA 90 in addition to the fittings 4103, 4104, 4105						
enamelled		68777259xxx	41.50	83.00	41.50	
enamelled anti-slip SECURE PLUS		687772592xxx	41.50			41.50
enamelled INVISIBLE GRIP		687772591001	41.50			

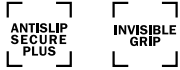
OPTIONAL: INSTALLATION^{•1}	Model	Order No.	Price	Alpine White (I)	Sanitary Colours (II, III)	Coord. Colours (IV)
ESR floor level installation system						
(for -1 models)						
800 x 750 (recess 828 x 778)		6400 0010 0000	425.00			
800 x 800 (recess 828 x 828)		6400 0011 0000	425.00			
900 x 700 (recess 928 x 728)		6400 0012 0000	425.00			
900 x 750 (recess 928 x 778)		6400 0013 0000	425.00			
900 x 800 (recess 928 x 828)		6400 0014 0000	425.00			
900 x 900 (recess 928 x 928)		6400 0015 0000	425.00			
1000 x 750 (recess 1028 x 778)		6400 0016 0000	425.00			
1000 x 800 (recess 1028 x 828)		6400 0017 0000	425.00			
1000 x 900 (recess 1028 x 928)		6400 0018 0000	425.00			
1000 x 1000 (recess 1028 x 1028)		6400 0019 0000	425.00			
1100 x 900 (recess 1128 x 928)		6400 0021 0000	425.00			
1200 x 700 (recess 1228 x 728)		6400 0022 0000	468.00			
1200 x 750 (recess 1228 x 778)		6400 0023 0000	468.00			
1200 x 800 (recess 1228 x 828)		6400 0024 0000	468.00			
1200 x 900 (recess 1228 x 928)		6400 0025 0000	468.00			
1200 x 1000 (recess 1228 x 1028)		6400 0027 0000	468.00			
1200 x 1200 (recess 1228 x 1228)		6400 0028 0000	468.00			
1300 x 900 (recess 1328 x 928)		6400 0030 0000	560.00			
1400 x 700 (recess 1428 x 728)		6400 0032 0000	560.00			
1400 x 750 (recess 1428 x 778)		6400 0033 0000	560.00			
1400 x 800 (recess 1428 x 828)		6400 0034 0000	560.00			
1400 x 900 (recess 1428 x 928)		6400 0035 0000	560.00			
1400 x 1000 (recess 1428 x 1028)		6400 0036 0000	560.00			
1500 x 700 (recess 1528 x 728)		6400 0037 0000	765.00			
1500 x 750 (recess 1528 x 778)		6400 0038 0000	765.00			
1500 x 800 (recess 1528 x 828)		6400 0054 0000	765.00			
1500 x 900 (recess 1528 x 928)		6400 0039 0000	765.00			
1500 x 1000 (recess 1528 x 1028)		6400 0040 0000	765.00			
1600 x 700 (recess 1628 x 728)		6400 0042 0000	765.00			
1600 x 750 (recess 1628 x 778)		6400 0043 0000	765.00			
1600 x 800 (recess 1628 x 828)		6400 0055 0000	765.00			
1600 x 900 (recess 1628 x 928)		6400 0044 0000	765.00			
1600 x 1000 (recess 1628 x 1028)		6400 0045 0000	765.00			
1700 x 700 (recess 1728 x 728)		6400 0046 0000	765.00			
1700 x 750 (recess 1728 x 778)		6400 0047 0000	765.00			
1700 x 800 (recess 1728 x 828)		6400 0062 0000	765.00			
1700 x 900 (recess 1728 x 928)		6400 0048 0000	765.00			
1700 x 1000 (recess 1728 x 1028)		6400 0049 0000	765.00			
1800 x 800 (recess 1828 x 828)		6400 0050 0000	765.00			
1800 x 900 (recess 1828 x 928)		6400 0051 0000	765.00			
1800 x 1000 (recess 1828 x 1028)		6400 0052 0000	765.00			

OPTIONAL: INSTALLATION ^{•1}	Model	Order No.	Price	Alpine White (I)	Sanitary Colours (II, III)	Coord. Colours (IV)
Shower tray foot frame FR 5300						
Size adjustment up to 900 x 900		5300 0012 0000	171.00			
Size adjustment up to 1200 x 1200		5300 0013 0000	188.50			
Size adjustment up to 1800 x 1500		5300 0014 0000	268.00			
Central support system MAS 5305 required for shower trays larger than 900 mm		6880 7653 0000	26.50			
Sealing kit FLEX		6897 2052 0000	51.50			
Sealing kit floor-level		6897 2049 0000	152.50			
Cut protection tape 4,6m for shower surfaces ≤ 1000 x 1200 mm		6897 2057 0000	67.00			
Cut protection tape 6,6m for shower surfaces > 1000 x 1200 mm		6897 2058 0000	96.50			
Shower tray sound absorbing set DW-ADS		6876 7572 0000	37.00			
Installation tape WES 130 For sound insulation and separation between the bottom edge of the product and the brickwork		6876 7654 0000	15.50			



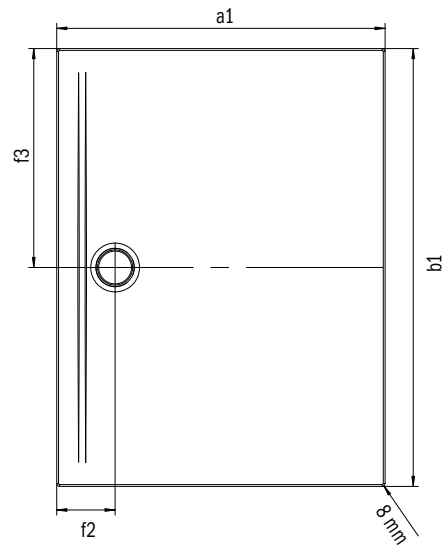
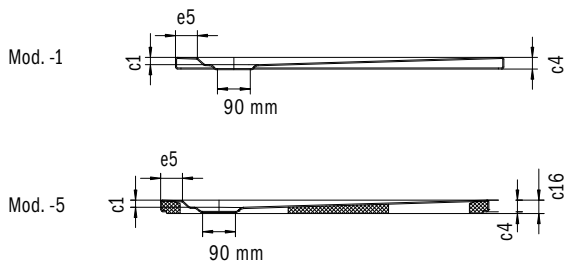
SUPERPLAN ZERO

- Accessible from three sides without steps
- Waste especially close to the wall and an even slope for a consistently level surface
- Generous design, seamless transitions for small and large bathrooms
- Clear edges and sharp corner radii for minimum joints and a uniform look
- Low installation height for easy, floor-level installation – also for large formats
- Also available in selected sizes as a Limited Edition nature protect with a greatly reduced CO₂ footprint



Similar illustration

	ALPINE WHITE	SANITARY COLOURS				COORDINATED COLOURS																
		BAHAMABEIGE	MANHATTAN	PERGAMON	BLACK	ALPINE WHITE MATT	WARM BEIGE 20	WARM BEIGE 40	WARM GREY 10	WARM GREY 30	WARM GREY 50	WARM GREY 60	WARM GREY 70	WARM GREY 80	WARM GREY 85	WARM GREY 90	COOL GREY 30	COOL GREY 40	COOL GREY 70	COOL GREY 80	COOL GREY 90	BLACK MATT 100
SUPERPLAN ZERO	001	030	199	231	701	711	661	662	668	669	670	671	672	673	674	675	663	664	665	666	667	676



	Total height		Fitting height	
	Model-1	Model-5	Model-1	Model-5
KA 90 horizontal	100	100	80	80
KA 90 flat	80	80	60	60
KA 90 vertical	49	37	80	80

Model	External length [mm]	Internal length [mm]	External width [mm]	Internal width [mm]	Depth inside [mm]	Height of rim [mm]	Height with support [mm]	Width across corners - external length [mm]	Width across corners - external width [mm]	Width across corners - internal length [mm]	Width across corners - internal width [mm]	Width of rim [mm]	Distance bath edge to centre of waste hole [mm]	Side length [mm]	Net weight [kg]
	a ₁	a _s	b ₁	b _s	c ₁	c ₄	c ₁₀	d ₁	d ₂	d ₃	d ₄	e _s	f ₂ ; f ₃	j _s	
1510	700	-	700	-	20	32	-	-	-	-	-	60	160; 400	-	13
1512	700	-	800	-	20	32	-	-	-	-	-	60	160; 400	-	14
1514	750	-	800	-	20	32	-	-	-	-	-	60	160; 400	-	15
1516	800	-	800	-	20	32	-	-	-	-	-	60	160; 400	-	16
1518	700	-	900	-	20	32	-	-	-	-	-	60	160; 450	-	16
1520	750	-	900	-	20	32	-	-	-	-	-	60	160; 450	-	17
1522	800	-	900	-	20	32	-	-	-	-	-	60	160; 450	-	19
1524	900	-	900	-	20	32	-	-	-	-	-	60	160; 450	-	21
1526	700	-	1000	-	20	32	-	-	-	-	-	60	160; 500	-	18
1528	750	-	1000	-	20	32	-	-	-	-	-	60	160; 500	-	19
1530	800	-	1000	-	20	32	-	-	-	-	-	60	160; 500	-	21
1532	900	-	1000	-	20	32	-	-	-	-	-	60	160; 500	-	23
1534	1000	-	1000	-	20	32	-	-	-	-	-	60	160; 500	-	26
1536	700	-	1100	-	20	32	-	-	-	-	-	60	160; 550	-	20
1538	750	-	1100	-	20	32	-	-	-	-	-	60	160; 550	-	21
1540	800	-	1100	-	20	32	-	-	-	-	-	60	160; 550	-	23
1542	900	-	1100	-	20	32	-	-	-	-	-	60	160; 550	-	25
1544	1000	-	1100	-	20	32	-	-	-	-	-	60	160; 550	-	28
1546	1100	-	1100	-	20	32	-	-	-	-	-	60	160; 550	-	31
1548	700	-	1200	-	20	32	-	-	-	-	-	60	160; 600	-	22
1550	750	-	1200	-	20	32	-	-	-	-	-	60	160; 600	-	23
1552	800	-	1200	-	20	32	-	-	-	-	-	60	160; 600	-	25
1554	900	-	1200	-	20	32	-	-	-	-	-	60	160; 600	-	28
1556	1000	-	1200	-	20	32	-	-	-	-	-	60	160; 600	-	31
1558	1100	-	1200	-	20	32	-	-	-	-	-	60	160; 600	-	34
1560	1200	-	1200	-	20	32	-	-	-	-	-	60	160; 600	-	37
1562	700	-	1300	-	20	32	-	-	-	-	-	60	160; 650	-	23
1564	750	-	1300	-	20	32	-	-	-	-	-	60	160; 650	-	25
1566	800	-	1300	-	20	32	-	-	-	-	-	60	160; 650	-	27
1568	900	-	1300	-	20	32	-	-	-	-	-	60	160; 650	-	30
1570	1000	-	1300	-	20	32	-	-	-	-	-	60	160; 650	-	33
1572	700	-	1400	-	20	32	-	-	-	-	-	60	160; 700	-	25
1574	750	-	1400	-	20	32	-	-	-	-	-	60	160; 700	-	27
1576	800	-	1400	-	20	32	-	-	-	-	-	60	160; 700	-	29
1578	900	-	1400	-	20	32	-	-	-	-	-	60	160; 700	-	32
1580	1000	-	1400	-	20	32	-	-	-	-	-	60	160; 700	-	36
1582	700	-	1500	-	20	32	-	-	-	-	-	60	160; 750	-	27
1584	750	-	1500	-	20	32	-	-	-	-	-	60	160; 750	-	29
1586	800	-	1500	-	20	32	-	-	-	-	-	60	160; 750	-	31
1588	900	-	1500	-	20	32	-	-	-	-	-	60	160; 750	-	35
1590	1000	-	1500	-	20	32	-	-	-	-	-	60	160; 750	-	39
1592	1500	-	1500	-	20	32	-	-	-	-	-	60	160; 750	-	58
1594	700	-	1600	-	20	32	-	-	-	-	-	60	160; 800	-	29
1596	750	-	1600	-	20	32	-	-	-	-	-	60	160; 800	-	31
1598	800	-	1600	-	20	32	-	-	-	-	-	60	160; 800	-	32
1600	900	-	1600	-	20	32	-	-	-	-	-	60	160; 800	-	37
1602	1000	-	1600	-	20	32	-	-	-	-	-	60	160; 800	-	41
1604	700	-	1700	-	20	32	-	-	-	-	-	60	160; 850	-	31
1606	750	-	1700	-	20	32	-	-	-	-	-	60	160; 850	-	33
1608	800	-	1700	-	20	32	-	-	-	-	-	60	160; 850	-	35
1610	900	-	1700	-	20	32	-	-	-	-	-	60	160; 850	-	39
1612	1000	-	1700	-	20	32	-	-	-	-	-	60	160; 850	-	44
1614	800	-	1800	-	20	32	-	-	-	-	-	60	160; 900	-	37
1616	900	-	1800	-	20	32	-	-	-	-	-	60	160; 900	-	42
1618	1000	-	1800	-	20	32	-	-	-	-	-	60	160; 900	-	46

	Drain Hole Model	Order No.	Dimensions (mm)	EUR			
				Alpine White (I)	Sanitary Colours (II, III)	Coord. Colours (IV)	
SUPERPLAN ZERO	Ø 90 MM	1510-1	35100001xxxx	700 x 700 x 20	692.00	899.00	762.00
		1512-1	35120001xxxx	800 x 700 x 20	692.00	899.00	762.00
		1514-1	35140001xxxx	800 x 750 x 20	692.00	899.00	762.00
		1516-1	35160001xxxx	800 x 800 x 20	569.00	740.00	627.00
		1518-1	35180001xxxx	900 x 700 x 20	692.00	899.00	762.00
		1520-1	35200001xxxx	900 x 750 x 20	569.00	740.00	627.00
		1522-1	35220001xxxx	900 x 800 x 20	692.00	899.00	762.00
		1524-1	35240001xxxx	900 x 900 x 20	569.00	740.00	627.00
		1526-1	35260001xxxx	1000 x 700 x 20	836.00	1,086.00	918.00
		1528-1	35280001xxxx	1000 x 750 x 20	836.00	1,086.00	918.00
		1530-1	35300001xxxx	1000 x 800 x 20	836.00	1,086.00	918.00
		1532-1	35320001xxxx	1000 x 900 x 20	836.00	1,086.00	918.00
		1534-1	35340001xxxx	1000 x 1000 x 20	726.00	942.00	798.00
		1536-1	35360001xxxx	1100 x 700 x 20	962.00	1,250.00	1,057.00
		1538-1	35380001xxxx	1100 x 750 x 20	962.00	1,250.00	1,057.00
		1540-1	35400001xxxx	1100 x 800 x 20	962.00	1,250.00	1,057.00
		1542-1	36500001xxxx	1100 x 900 x 20	962.00	1,250.00	1,057.00
		1544-1	35440001xxxx	1100 x 1000 x 20	962.00	1,250.00	1,057.00
		1546-1	35460001xxxx	1100 x 1100 x 20	962.00	1,250.00	1,057.00
		1548-1	35480001xxxx	1200 x 700 x 20	962.00	1,250.00	1,057.00
		1550-1	35500001xxxx	1200 x 750 x 20	962.00	1,250.00	1,057.00
		1552-1	35520001xxxx	1200 x 800 x 20	962.00	1,250.00	1,057.00
		1554-1	35540001xxxx	1200 x 900 x 20	962.00	1,250.00	1,057.00
		1556-1	35560001xxxx	1200 x 1000 x 20	962.00	1,250.00	1,057.00
		1558-1	35580001xxxx	1200 x 1100 x 20	962.00	1,250.00	1,057.00
		1560-1	35600001xxxx	1200 x 1200 x 20	962.00	1,250.00	1,057.00
		1562-1	35620001xxxx	1300 x 700 x 20	990.00	1,287.00	1,089.00
		1564-1	35640001xxxx	1300 x 750 x 20	990.00	1,287.00	1,089.00
		1566-1	35660001xxxx	1300 x 800 x 20	990.00	1,287.00	1,089.00
		1568-1	35680001xxxx	1300 x 900 x 20	990.00	1,287.00	1,089.00
		1570-1	35700001xxxx	1300 x 1000 x 20	990.00	1,287.00	1,089.00
		1572-1	35720001xxxx	1400 x 700 x 20	990.00	1,287.00	1,089.00
		1574-1	35740001xxxx	1400 x 750 x 20	990.00	1,287.00	1,089.00
		1576-1	35760001xxxx	1400 x 800 x 20	990.00	1,287.00	1,089.00
		1578-1	35780001xxxx	1400 x 900 x 20	990.00	1,287.00	1,089.00
		1580-1	35800001xxxx	1400 x 1000 x 20	990.00	1,287.00	1,089.00
1582-1	35820001xxxx	1500 x 700 x 20	990.00	1,287.00	1,089.00		
1584-1	35840001xxxx	1500 x 750 x 20	990.00	1,287.00	1,089.00		
1586-1	35860001xxxx	1500 x 800 x 20	990.00	1,287.00	1,089.00		
1588-1	35880001xxxx	1500 x 900 x 20	990.00	1,287.00	1,089.00		
1590-1	35900001xxxx	1500 x 1000 x 20	990.00	1,287.00	1,089.00		
1592-1	35920001xxxx	1500 x 1500 x 20	990.00	1,287.00	1,089.00		
1594-1	35940001xxxx	1600 x 700 x 20	1,077.00	1,399.00	1,185.00		
1596-1	35960001xxxx	1600 x 750 x 20	1,077.00	1,399.00	1,185.00		
1598-1	35980001xxxx	1600 x 800 x 20	1,077.00	1,399.00	1,185.00		
1600-1	36000001xxxx	1600 x 900 x 20	1,077.00	1,399.00	1,185.00		
1602-1	36020001xxxx	1600 x 1000 x 20	1,077.00	1,399.00	1,185.00		
1604-1	36040001xxxx	1700 x 700 x 20	1,077.00	1,399.00	1,185.00		
1606-1	36060001xxxx	1700 x 750 x 20	1,077.00	1,399.00	1,185.00		
1608-1	36080001xxxx	1700 x 800 x 20	1,077.00	1,399.00	1,185.00		
1610-1	36400001xxxx	1700 x 900 x 20	1,077.00	1,399.00	1,185.00		
1612-1	36420001xxxx	1700 x 1000 x 20	1,077.00	1,399.00	1,185.00		
1614-1	36440001xxxx	1800 x 800 x 20	1,077.00	1,399.00	1,185.00		
1616-1	36460001xxxx	1800 x 900 x 20	1,077.00	1,399.00	1,185.00		
1618-1	36480001xxxx	1800 x 1000 x 20	1,077.00	1,399.00	1,185.00		
SUPERPLAN ZERO Limited Edition nature protect made from CO ₂ -reduced steel	Ø 90 MM	1554-1NP	35540003xxxx	1200 x 900 x 20	1,143.00	1,431.00	1,238.00
		1576-1NP	35760003xxxx	1400 x 800 x 20	1,171.00	1,468.00	1,270.00
		1578-1NP	35780003xxxx	1400 x 900 x 20	1,171.00	1,468.00	1,270.00
		1580-1NP	35800003xxxx	1400 x 1000 x 20	1,171.00	1,468.00	1,270.00

Drain Hole Model	Order No.	Dimensions (mm)	EUR			
			Alpine White (I)	Sanitary Colours (II, III)	Coord. Colours (IV)	
SUPERPLAN ZERO WITH EXTRA FLAT TRAY SUPPORT Height with tub support 37 mm	1510-5	3510 4798 xxxx	700 x 700 x 20	719.00	935.00	791.00
	1512-5	3512 4798 xxxx	800 x 700 x 20	719.00	935.00	791.00
	1514-5	3514 4798 xxxx	800 x 750 x 20	719.00	935.00	791.00
	1516-5	3516 4798 xxxx	800 x 800 x 20	596.00	776.00	657.00
	1518-5	3518 4798 xxxx	900 x 700 x 20	719.00	935.00	791.00
	1520-5	3520 4798 xxxx	900 x 750 x 20	596.00	776.00	657.00
	1522-5	3522 4798 xxxx	900 x 800 x 20	719.00	935.00	791.00
	1524-5	3524 4798 xxxx	900 x 900 x 20	596.00	776.00	657.00
	1526-5	3526 4798 xxxx	1000 x 700 x 20	863.00	1,122.00	949.00
	1528-5	3528 4798 xxxx	1000 x 750 x 20	863.00	1,122.00	949.00
	1530-5	3530 4798 xxxx	1000 x 800 x 20	863.00	1,122.00	949.00
	1532-5	3532 4798 xxxx	1000 x 900 x 20	863.00	1,122.00	949.00
	1534-5	3534 4798 xxxx	1000 x 1000 x 20	753.00	978.00	828.00
	1536-5	3536 4798 xxxx	1100 x 700 x 20	989.00	1,286.00	1,088.00
	1538-5	3538 4798 xxxx	1100 x 750 x 20	989.00	1,286.00	1,088.00
	1540-5	3540 4798 xxxx	1100 x 800 x 20	989.00	1,286.00	1,088.00
	1542-5	3650 4798 xxxx	1100 x 900 x 20	989.00	1,286.00	1,088.00
	1544-5	3544 4798 xxxx	1100 x 1000 x 20	989.00	1,286.00	1,088.00
	1546-5	3546 4798 xxxx	1100 x 1100 x 20	989.00	1,286.00	1,088.00
	1548-5	3548 4798 xxxx	1200 x 700 x 20	989.00	1,286.00	1,088.00
	1550-5	3550 4798 xxxx	1200 x 750 x 20	989.00	1,286.00	1,088.00
	1552-5	3552 4798 xxxx	1200 x 800 x 20	989.00	1,286.00	1,088.00
	1554-5	3554 4798 xxxx	1200 x 900 x 20	989.00	1,286.00	1,088.00
	1556-5	3556 4798 xxxx	1200 x 1000 x 20	989.00	1,286.00	1,088.00
	1558-5	3558 4798 xxxx	1200 x 1100 x 20	989.00	1,286.00	1,088.00
	1560-5	3560 4798 xxxx	1200 x 1200 x 20	989.00	1,286.00	1,088.00
	1562-5	3562 4798 xxxx	1300 x 700 x 20	1,026.00	1,334.00	1,129.00
	1564-5	3564 4798 xxxx	1300 x 750 x 20	1,026.00	1,334.00	1,129.00
	1566-5	3566 4798 xxxx	1300 x 800 x 20	1,026.00	1,334.00	1,129.00
	1568-5	3568 4798 xxxx	1300 x 900 x 20	1,026.00	1,334.00	1,129.00
	1570-5	3570 4798 xxxx	1300 x 1000 x 20	1,026.00	1,334.00	1,129.00
	1572-5	3572 4798 xxxx	1400 x 700 x 20	1,026.00	1,334.00	1,129.00
	1574-5	3574 4798 xxxx	1400 x 750 x 20	1,026.00	1,334.00	1,129.00
	1576-5	3576 4798 xxxx	1400 x 800 x 20	1,026.00	1,334.00	1,129.00
	1578-5	3578 4798 xxxx	1400 x 900 x 20	1,026.00	1,334.00	1,129.00
	1580-5	3580 4798 xxxx	1400 x 1000 x 20	1,026.00	1,334.00	1,129.00
	1582-5	3582 4798 xxxx	1500 x 700 x 20	1,026.00	1,334.00	1,129.00
	1584-5	3584 4798 xxxx	1500 x 750 x 20	1,026.00	1,334.00	1,129.00
	1586-5	3586 4798 xxxx	1500 x 800 x 20	1,026.00	1,334.00	1,129.00
	1588-5	3588 4798 xxxx	1500 x 900 x 20	1,026.00	1,334.00	1,129.00
1590-5	3590 4798 xxxx	1500 x 1000 x 20	1,026.00	1,334.00	1,129.00	
1592-5	3592 4798 xxxx	1500 x 1500 x 20	1,026.00	1,334.00	1,129.00	
1594-5	3594 4798 xxxx	1600 x 700 x 20	1,124.00	1,460.00	1,235.00	
1596-5	3596 4798 xxxx	1600 x 750 x 20	1,124.00	1,460.00	1,235.00	
1598-5	3598 4798 xxxx	1600 x 800 x 20	1,124.00	1,460.00	1,235.00	
1600-5	3600 4798 xxxx	1600 x 900 x 20	1,124.00	1,460.00	1,235.00	
1602-5	3602 4798 xxxx	1600 x 1000 x 20	1,124.00	1,460.00	1,235.00	
1604-5	3604 4798 xxxx	1700 x 700 x 20	1,124.00	1,460.00	1,235.00	
1606-5	3606 4798 xxxx	1700 x 750 x 20	1,124.00	1,460.00	1,235.00	
1608-5	3608 4798 xxxx	1700 x 800 x 20	1,124.00	1,460.00	1,235.00	
1610-5	3640 4798 xxxx	1700 x 900 x 20	1,124.00	1,460.00	1,235.00	
1612-5	3642 4798 xxxx	1700 x 1000 x 20	1,124.00	1,460.00	1,235.00	
1614-5	3644 4798 xxxx	1800 x 800 x 20	1,124.00	1,460.00	1,235.00	
1616-5	3646 4798 xxxx	1800 x 900 x 20	1,124.00	1,460.00	1,235.00	
1618-5	3648 4798 xxxx	1800 x 1000 x 20	1,124.00	1,460.00	1,235.00	

OPTIONAL: SURFACE FINISHES	Model	Order No.	Price	Alpine White (I)	Sanitary Colours (II, III)	Coord. Colours (IV)
INVISIBLE GRIP Full base, almost invisible slip resistance. Cannot be combined with easy-clean finish		xxxxxxx1xxx	167.50			
ANTI-SLIP SECURE PLUS Full base slip resistance in matt look. Cannot be combined with easy-clean finish		xxxxxxx2xxx	167.50			167.50
Easy-clean finish		xxxxxxx3xxx	89.50		89.50	89.50

OPTIONAL: INFLOW/OUTFLOW TECHNOLOGY^{•1}

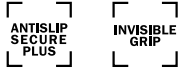
	Model	Order No.	Price	Alpine White (I)	Sanitary Colours (II, III)	Coord. Colours (IV)
Waste fitting KA 90 horizontal Chrome waste cover, hair catcher included in scope of delivery. Universally applicable for FR and ESR. Optional accessories: enamelled waste cover for KA 90	4103	687772560999	103.00			
Waste fitting KA 90 flat Chrome waste cover, hair catcher included in scope of delivery. Universally applicable for FR and ESR. Optional accessories: enamelled waste cover for KA 90	4104	687772540999	123.50			
Waste fitting KA 90 vertical Chrome waste cover, hair catcher included in scope of delivery. Universally applicable for FR and ESR. Optional accessories: enamelled waste cover for KA 90	4105	687772550999	144.00			
Waste cover KA 90 in addition to the fittings 4103, 4104, 4105 enamelled		68777259xxx	41.50		83.00	41.50
enamelled anti-slip SECURE PLUS		687772592xxx	41.50			41.50
enamelled INVISIBLE GRIP		687772591001	41.50			

OPTIONAL: INSTALLATION^{•1}	Model	Order No.	Price	Alpine White (I)	Sanitary Colours (II, III)	Coord. Colours (IV)
ESR floor level installation system (for -1 models)						
700 x 700 (recess 728 x 728)		640000700000	425.00			
800 x 700 (recess 828 x 728)		640000690000	425.00			
800 x 750 (recess 828 x 778)		640000100000	425.00			
800 x 800 (recess 828 x 828)		640000110000	425.00			
900 x 700 (recess 928 x 728)		640000120000	425.00			
900 x 750 (recess 928 x 778)		640000130000	425.00			
900 x 800 (recess 928 x 828)		640000140000	425.00			
900 x 900 (recess 928 x 928)		640000150000	425.00			
1000 x 700 (recess 1028 x 728)		640000680000	425.00			
1000 x 750 (recess 1028 x 778)		640000160000	425.00			
1000 x 800 (recess 1028 x 828)		640000170000	425.00			
1000 x 900 (recess 1028 x 928)		640000180000	425.00			
1000 x 1000 (recess 1028 x 1028)		640000190000	425.00			
1100 x 700 (recess 1128 x 728)		640000650000	425.00			
1100 x 750 (recess 1128 x 778)		640000260000	425.00			
1100 x 800 (recess 1128 x 828)		640000200000	425.00			
1100 x 900 (recess 1128 x 928)		640000210000	425.00			
1100 x 1000 (recess 1128 x 1028)		640000530000	468.00			
1100 x 1100 (recess 1128 x 1128)		640000660000	468.00			

OPTIONAL: INSTALLATION^{•1}	Model	Order No.	Price	Alpine White (I)	Sanitary Colours (II, III)	Coord. Colours (IV)
ESR floor level installation system (for -1 models)						
1200 x 700 (recess 1228 x 728)		6400 0022 0000	468.00			
1200 x 750 (recess 1228 x 778)		6400 0023 0000	468.00			
1200 x 800 (recess 1228 x 828)		6400 0024 0000	468.00			
1200 x 900 (recess 1228 x 928)		6400 0025 0000	468.00			
1200 x 1000 (recess 1228 x 1028)		6400 0027 0000	468.00			
1200 x 1100 (recess 1228 x 1128)		6400 0063 0000	468.00			
1200 x 1200 (recess 1228 x 1228)		6400 0028 0000	468.00			
1300 x 700 (recess 1328 x 728)		6400 0067 0000	560.00			
1300 x 750 (recess 1328 x 778)		6400 0064 0000	560.00			
1300 x 800 (recess 1328 x 828)		6400 0029 0000	560.00			
1300 x 900 (recess 1328 x 928)		6400 0030 0000	560.00			
1300 x 1000 (recess 1328 x 1028)		6400 0031 0000	560.00			
1400 x 700 (recess 1428 x 728)		6400 0032 0000	560.00			
1400 x 750 (recess 1428 x 778)		6400 0033 0000	560.00			
1400 x 800 (recess 1428 x 828)		6400 0034 0000	560.00			
1400 x 900 (recess 1428 x 928)		6400 0035 0000	560.00			
1400 x 1000 (recess 1428 x 1028)		6400 0036 0000	560.00			
1500 x 700 (recess 1528 x 728)		6400 0037 0000	765.00			
1500 x 750 (recess 1528 x 778)		6400 0038 0000	765.00			
1500 x 800 (recess 1528 x 828)		6400 0054 0000	765.00			
1500 x 900 (recess 1528 x 928)		6400 0039 0000	765.00			
1500 x 1000 (recess 1528 x 1028)		6400 0040 0000	765.00			
1500 x 1500 (recess 1528 x 1528)		6400 0041 0000	765.00			
1600 x 700 (recess 1628 x 728)		6400 0042 0000	765.00			
1600 x 750 (recess 1628 x 778)		6400 0043 0000	765.00			
1600 x 800 (recess 1628 x 828)		6400 0055 0000	765.00			
1600 x 900 (recess 1628 x 928)		6400 0044 0000	765.00			
1600 x 1000 (recess 1628 x 1028)		6400 0045 0000	765.00			
1700 x 700 (recess 1728 x 728)		6400 0046 0000	765.00			
1700 x 750 (recess 1728 x 778)		6400 0047 0000	765.00			
1700 x 800 (recess 1728 x 828)		6400 0062 0000	765.00			
1700 x 900 (recess 1728 x 928)		6400 0048 0000	765.00			
1700 x 1000 (recess 1728 x 1028)		6400 0049 0000	765.00			
1800 x 800 (recess 1828 x 828)		6400 0050 0000	765.00			
1800 x 900 (recess 1828 x 928)		6400 0051 0000	765.00			
1800 x 1000 (recess 1828 x 1028)		6400 0052 0000	765.00			
Shower tray foot frame FR 5300						
Size adjustment up to 900 x 900		5300 0012 0000	171.00			
Size adjustment up to 1200 x 1200		5300 0013 0000	188.50			
Size adjustment up to 1800 x 1500		5300 0014 0000	268.00			
Central support system MAS 5305 required for shower trays larger than 900 mm		6880 7653 0000	26.50			
Sealing kit FLEX		6897 2052 0000	51.50			
Sealing kit floor-level		6897 2049 0000	152.50			
Cut protection tape 4,6m for shower surfaces ≤ 1000 x 1200 mm		6897 2057 0000	67.00			
Cut protection tape 6,6m for shower surfaces > 1000 x 1200 mm		6897 2058 0000	96.50			
Shower tray sound absorbing set DW-ADS		6876 7572 0000	37.00			
Installation tape WES 130 For sound insulation and separation between the bottom edge of the product and the brickwork		6876 7654 0000	15.50			

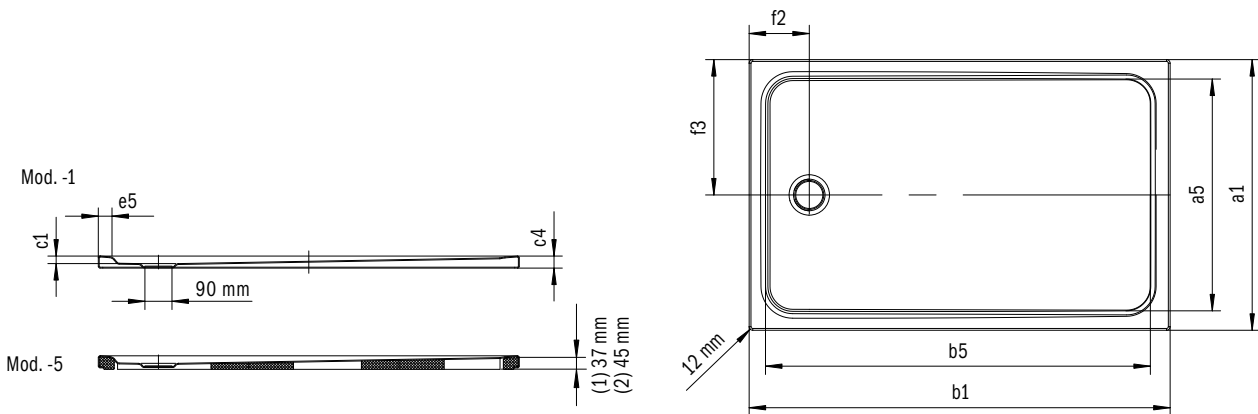
CAYONOPLAN

- Floor-level shower
- Classic design with inner contour
- Perfect match for the CAYONO model range
- Large standing area with central waste at short side



Similar illustration

	ALPINE WHITE	SANITARY COLOURS				COORDINATED COLOURS										BLACK 100						
	001	BAHAMABEIGE 030	MANHATTAN 199	PERGAMON 231	BLACK 701	ALPINE WHITE MATT 711	WARM BEIGE 20 661	WARM BEIGE 40 662	WARM GREY 10 668	WARM GREY 30 669	WARM GREY 50 670	WARM GREY 60 671	WARM GREY 70 672	WARM GREY 80 673	WARM GREY 85 674	WARM GREY 90 675	COOL GREY 30 663	COOL GREY 40 664	COOL GREY 70 665	COOL GREY 80 666	COOL GREY 90 667	BLACK MATT 100 676
CAYONOPLAN																						



- (1) Model No.:
2255, 2261, 2260, 2256, 2251, 2262, 2259, 2227, 2221, 2257, 2258, 2253, 2263, 2254, 2222, 2220
- (2) Model No.:
2264, 2279, 2228, 2229, 2226, 2272, 2267, 2271, 2270, 2223, 2278, 2230, 2266, 2275, 2225, 2276, 2224

	Total height				Fitting height	
	Model-1		Model-5		Model-1	Model-5
	18 mm depth	25 mm depth	18 mm depth	25 mm depth		
KA 90 horizontal	98	105	98	105	80	80
KA 90 flat	78	85	78	85	60	60
KA 90 vertical	49	49	37	45	80	80

Model	External length [mm]	Internal length [mm]	External width [mm]	Internal width [mm]	Depth inside [mm]	Height of rim [mm]	Height with support [mm]	Width across corners - external length [mm]	Width across corners - external width [mm]	Width across corners - internal length [mm]	Width across corners - internal width [mm]	Width of rim [mm]	Distance bath edge to centre of waste hole [mm]	Side length [mm]	Net weight [kg]
	a ₁	a _s	b ₁	b _s	c ₁	c ₄	c ₁₀	d ₁	d ₂	d ₃	d ₄	e _s	f ₂ ; f ₃	j _s	
2251	800	690	800	690	18	32	-	-	-	-	-	50	200; 400	-	17
2253	750	640	900	790	18	32	-	-	-	-	-	50	200; 375	-	18
2220	800	690	900	790	18	32	-	-	-	-	-	50	200; 400	-	19
2254	900	790	900	790	18	32	-	-	-	-	-	50	200; 450	-	21
2221	700	590	1000	890	18	32	-	-	-	-	-	50	200; 350	-	19
2255	750	640	1000	890	18	32	-	-	-	-	-	50	200; 375	-	20
2256	800	690	1000	890	18	32	-	-	-	-	-	50	200; 400	-	21
2257	900	790	1000	890	18	32	-	-	-	-	-	50	200; 450	-	24
2258	1000	890	1000	890	18	32	-	-	-	-	-	50	200; 500	-	27
2259	750	640	1100	990	18	32	-	-	-	-	-	50	200; 375	-	20
2222	800	690	1100	990	18	32	-	-	-	-	-	50	200; 400	-	23
2260	700	590	1200	1090	18	32	-	-	-	-	-	50	200; 350	-	22
2261	750	640	1200	1090	18	32	-	-	-	-	-	50	200; 375	-	24
2262	800	690	1200	1090	18	32	-	-	-	-	-	50	200; 400	-	25
2263	900	790	1200	1090	18	32	-	-	-	-	-	50	200; 450	-	28
2227	1000	890	1200	1090	18	32	-	-	-	-	-	50	200; 500	-	32
2264	800	690	1300	1190	25	40	-	-	-	-	-	50	200; 400	-	25
2225	900	790	1300	1190	25	40	-	-	-	-	-	50	200; 450	-	31
2228	1000	890	1300	1190	25	40	-	-	-	-	-	50	200; 500	-	35
2266	800	690	1400	1290	25	40	-	-	-	-	-	50	200; 400	-	29
2267	900	790	1400	1290	25	40	-	-	-	-	-	50	200; 450	-	33
2229	1000	890	1400	1290	25	40	-	-	-	-	-	50	200; 500	-	37
2270	750	640	1500	1390	25	40	-	-	-	-	-	50	200; 375	-	29
2271	800	690	1500	1390	25	40	-	-	-	-	-	50	200; 400	-	31
2272	900	790	1500	1390	25	40	-	-	-	-	-	50	200; 450	-	35
2275	750	640	1600	1490	25	40	-	-	-	-	-	50	200; 375	-	30
2276	800	690	1600	1490	25	40	-	-	-	-	-	50	200; 400	-	33
2226	900	790	1600	1490	25	40	-	-	-	-	-	50	200; 450	-	38
2230	1000	890	1600	1490	25	40	-	-	-	-	-	50	200; 500	-	42
2278	700	590	1700	1590	25	40	-	-	-	-	-	50	200; 350	-	31
2279	750	640	1700	1590	25	40	-	-	-	-	-	50	200; 375	-	33
2223	800	690	1700	1590	25	40	-	-	-	-	-	50	200; 400	-	36
2224	800	690	1800	1690	25	40	-	-	-	-	-	50	200; 400	-	38

Drain Hole Model	Order No.	Dimensions (mm)	EUR				
			Alpine White (I)	Sanitary Colours (II, III)	Coord. Colours (IV)		
CAYONOPLAN	Ø 90 MM	2251-1	3611 0001 xxxx	800 x 800 x 18	365.00	474.00	401.00
	2253-1	3613 0001 xxxx	900 x 750 x 18	365.00	474.00	401.00	
	2220-1	3750 0001 xxxx	900 x 800 x 18	365.00	474.00	401.00	
	2254-1	3614 0001 xxxx	900 x 900 x 18	329.00	427.00	362.00	
	2221-1	3751 0001 xxxx	1000 x 700 x 18	401.00	521.00	442.00	
	2255-1	3615 0001 xxxx	1000 x 750 x 18	401.00	521.00	442.00	
	2256-1	3616 0001 xxxx	1000 x 800 x 18	401.00	521.00	442.00	
	2257-1	3617 0001 xxxx	1000 x 900 x 18	401.00	521.00	442.00	
	2258-1	3618 0001 xxxx	1000 x 1000 x 18	401.00	521.00	442.00	
	2259-1	3619 0001 xxxx	1100 x 750 x 18	438.00	569.00	483.00	
	2222-1	3752 0001 xxxx	1100 x 800 x 18	438.00	569.00	483.00	
	2260-1	3620 0001 xxxx	1200 x 700 x 18	476.00	618.00	522.00	
	2261-1	3621 0001 xxxx	1200 x 750 x 18	476.00	618.00	522.00	
	2262-1	3622 0001 xxxx	1200 x 800 x 18	476.00	618.00	522.00	
	2263-1	3623 0001 xxxx	1200 x 900 x 18	476.00	618.00	522.00	
	2227-1	3757 0001 xxxx	1200 x 1000 x 18	476.00	618.00	522.00	
	2264-1	3624 0001 xxxx	1300 x 800 x 25	512.00	665.00	562.00	
	2225-1	3755 0001 xxxx	1300 x 900 x 25	512.00	665.00	562.00	
	2228-1	3758 0001 xxxx	1300 x 1000 x 25	512.00	665.00	562.00	
	2266-1	3626 0001 xxxx	1400 x 800 x 25	549.00	713.00	603.00	
	2267-1	3627 0001 xxxx	1400 x 900 x 25	549.00	713.00	603.00	
	2229-1	3759 0001 xxxx	1400 x 1000 x 25	549.00	713.00	603.00	
	2270-1	3630 0001 xxxx	1500 x 750 x 25	585.00	760.00	645.00	
	2271-1	3631 0001 xxxx	1500 x 800 x 25	585.00	760.00	645.00	
	2272-1	3632 0001 xxxx	1500 x 900 x 25	585.00	760.00	645.00	
	2275-1	3635 0001 xxxx	1600 x 750 x 25	639.00	830.00	702.00	
	2276-1	3636 0001 xxxx	1600 x 800 x 25	639.00	830.00	702.00	
	2226-1	3756 0001 xxxx	1600 x 900 x 25	639.00	830.00	702.00	
	2230-1	3760 0001 xxxx	1600 x 1000 x 25	639.00	830.00	702.00	
	2278-1	3701 0001 xxxx	1700 x 700 x 25	639.00	830.00	702.00	
	2279-1	3702 0001 xxxx	1700 x 750 x 25	639.00	830.00	702.00	
	2223-1	3753 0001 xxxx	1700 x 800 x 25	639.00	830.00	702.00	
2224-1	3754 0001 xxxx	1800 x 800 x 25	639.00	830.00	702.00		

Drain Hole Model	Order No.	Dimensions (mm)	EUR				
			Alpine White (I)	Sanitary Colours (II, III)	Coord. Colours (IV)		
CAYONOPLAN WITH EXTRA FLAT Ø 90 MM TRAY SUPPORT Height with tub support 37 mm	2251-5	3611 4798 xxxx	800 x 800 x 18	409.00	531.00	450.00	
	2253-5	3613 4798 xxxx	900 x 750 x 18	409.00	531.00	450.00	
	2220-5	3750 4798 xxxx	900 x 800 x 18	409.00	531.00	450.00	
	2254-5	3614 4798 xxxx	900 x 900 x 18	373.00	485.00	411.00	
	2221-5	3751 4798 xxxx	1000 x 700 x 18	445.00	578.00	492.00	
	2255-5	3615 4798 xxxx	1000 x 750 x 18	445.00	578.00	492.00	
	2256-5	3616 4798 xxxx	1000 x 800 x 18	445.00	578.00	492.00	
	2257-5	3617 4798 xxxx	1000 x 900 x 18	445.00	578.00	492.00	
	2258-5	3618 4798 xxxx	1000 x 1000 x 18	445.00	578.00	492.00	
	2259-5	3619 4798 xxxx	1100 x 750 x 18	483.00	627.00	531.00	
	2222-5	3752 4798 xxxx	1100 x 800 x 18	483.00	627.00	531.00	
	2260-5	3620 4798 xxxx	1200 x 700 x 18	519.00	675.00	571.00	
	2261-5	3621 4798 xxxx	1200 x 750 x 18	519.00	675.00	571.00	
	2262-5	3622 4798 xxxx	1200 x 800 x 18	519.00	675.00	571.00	
	2263-5	3623 4798 xxxx	1200 x 900 x 18	519.00	675.00	571.00	
	2227-5	3757 4798 xxxx	1200 x 1000 x 18	519.00	675.00	571.00	
	CAYONOPLAN WITH EXTRA FLAT Ø 90 MM TRAY SUPPORT Height with tub support 45 mm	2264-5	3624 4798 xxxx	1300 x 800 x 25	569.00	738.00	627.00
		2225-5	3755 4798 xxxx	1300 x 900 x 25	569.00	738.00	627.00
		2228-5	3758 4798 xxxx	1300 x 1000 x 25	569.00	738.00	627.00
		2266-5	3626 4798 xxxx	1400 x 800 x 25	607.00	789.00	668.00
2267-5		3627 4798 xxxx	1400 x 900 x 25	607.00	789.00	668.00	
2229-5		3759 4798 xxxx	1400 x 1000 x 25	607.00	789.00	668.00	
2270-5		3630 4798 xxxx	1500 x 750 x 25	643.00	836.00	708.00	
2271-5		3631 4798 xxxx	1500 x 800 x 25	643.00	836.00	708.00	
2272-5		3632 4798 xxxx	1500 x 900 x 25	643.00	836.00	708.00	
2275-5		3635 4798 xxxx	1600 x 750 x 25	715.00	929.00	787.00	
2276-5		3636 4798 xxxx	1600 x 800 x 25	715.00	929.00	787.00	
2226-5		3756 4798 xxxx	1600 x 900 x 25	715.00	929.00	787.00	
2230-5		3760 4798 xxxx	1600 x 1000 x 25	715.00	929.00	787.00	
2278-5		3701 4798 xxxx	1700 x 700 x 25	715.00	929.00	787.00	
2279-5		3702 4798 xxxx	1700 x 750 x 25	715.00	929.00	787.00	
2223-5		3753 4798 xxxx	1700 x 800 x 25	715.00	929.00	787.00	
2224-5		3754 4798 xxxx	1800 x 800 x 25	715.00	929.00	787.00	

OPTIONAL: SURFACE FINISHES	Model	Order No.	Price	Alpine White (I)	Sanitary Colours (II, III)	Coord. Colours (IV)
INVISIBLE GRIP Full base, almost invisible slip resistance. Cannot be combined with easy-clean finish		xxxxxxx1xxx	167.50			
ANTI-SLIP SECURE PLUS Full base slip resistance in matt look. Cannot be combined with easy-clean finish		xxxxxxx2xxx	167.50			167.50
Easy-clean finish		xxxxxxx3xxx	89.50	89.50	89.50	89.50
Full anti-slip			239.50	239.50	239.50	
Partial anti-slip			119.00	119.00	119.00	

OPTIONAL: INFLOW/OUTFLOW TECHNOLOGY^{•1}

	Model	Order No.	Price	Alpine White (I)	Sanitary Colours (II, III)	Coord. Colours (IV)
Waste fitting KA 90 horizontal Chrome waste cover, hair catcher included in scope of delivery. Universally applicable for FR and ESR. Optional accessories: enamelled waste cover for KA 90	4103	687772560999	103.00			
Waste fitting KA 90 flat Chrome waste cover, hair catcher included in scope of delivery. Universally applicable for FR and ESR. Optional accessories: enamelled waste cover for KA 90	4104	687772540999	123.50			
Waste fitting KA 90 vertical Chrome waste cover, hair catcher included in scope of delivery. Universally applicable for FR and ESR. Optional accessories: enamelled waste cover for KA 90	4105	687772550999	144.00			
Waste cover KA 90 in addition to the fittings 4103, 4104, 4105						
enamelled		68777259xxx	41.50	83.00	41.50	
enamelled anti-slip SECURE PLUS		687772592xxx	41.50			41.50
enamelled INVISIBLE GRIP		687772591001	41.50			

OPTIONAL: INSTALLATION^{•1}	Model	Order No.	Price	Alpine White (I)	Sanitary Colours (II, III)	Coord. Colours (IV)
ESR floor level installation system (for -1 models)						
800 x 800 (recess 828 x 828)		6400 0011 0000	425.00			
900 x 750 (recess 928 x 778)		6400 0013 0000	425.00			
900 x 800 (recess 928 x 828)		6400 0014 0000	425.00			
900 x 900 (recess 928 x 928)		6400 0015 0000	425.00			
1000 x 750 (recess 1028 x 778)		6400 0016 0000	425.00			
1000 x 800 (recess 1028 x 828)		6400 0017 0000	425.00			
1000 x 900 (recess 1028 x 928)		6400 0018 0000	425.00			
1000 x 1000 (recess 1028 x 1028)		6400 0019 0000	425.00			
1100 x 750 (recess 1128 x 778)		6400 0026 0000	425.00			
1200 x 700 (recess 1228 x 728)		6400 0022 0000	468.00			
1200 x 750 (recess 1228 x 778)		6400 0023 0000	468.00			
1200 x 800 (recess 1228 x 828)		6400 0024 0000	468.00			
1200 x 900 (recess 1228 x 928)		6400 0025 0000	468.00			
Shower tray foot frame FR 5300						
Size adjustment up to 900 x 900		5300 0012 0000	171.00			
Size adjustment up to 1200 x 1200		5300 0013 0000	188.50			
Size adjustment up to 1800 x 1500		5300 0014 0000	268.00			
Central support system MAS 5305 required for shower trays larger than 900 mm		6880 7653 0000	26.50			
Sealing kit FLEX		6897 2052 0000	51.50			
Sealing kit floor-level		6897 2049 0000	152.50			
Cut protection tape 4,6m for shower surfaces ≤ 1000 x 1200 mm		6897 2057 0000	67.00			
Cut protection tape 6,6m for shower surfaces > 1000 x 1200 mm		6897 2058 0000	96.50			
Shower tray sound absorbing set DW-ADS		6876 7572 0000	37.00			
Installation tape WES 130 For sound insulation and separation between the bottom edge of the product and the brickwork		6876 7654 0000	15.50			



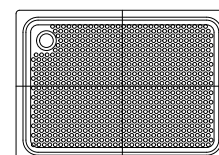
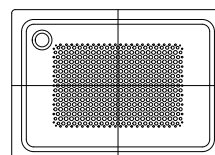
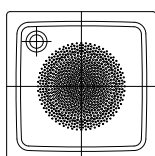
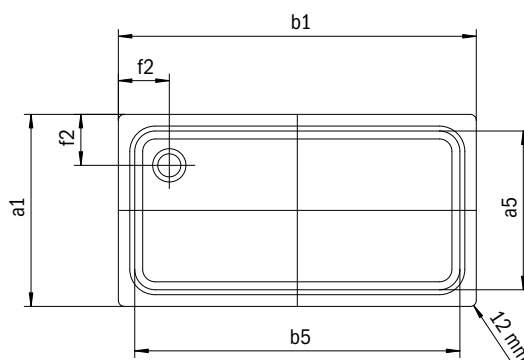
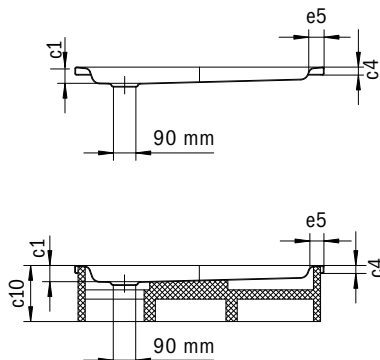
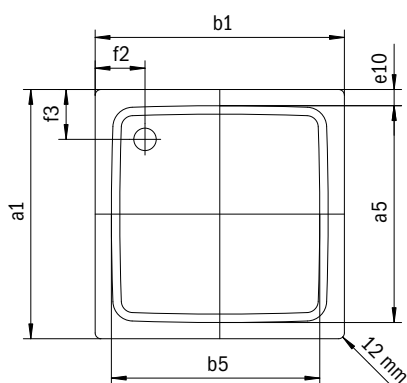
DUSCHPLAN

- A classic among shower trays
- Modern, clear design only 65 mm deep
- Available in rectangular or square design
- Waste cover integrated almost flush into the shower surface (only in combination with the KA 90 waste fittings)
- Available from a size of 1400 x 700 with full anti-slip



Similar illustration

	ALPINE WHITE	BAHAMABEIGE	MANHATTAN	PERGAMON	BLACK	COORDINATED COLOURS	ALPINE WHITE MATT	WARM BEIGE 20	WARM BEIGE 40	WARM GREY 10	WARM GREY 30	WARM GREY 50	WARM GREY 60	WARM GREY 70	WARM GREY 80	WARM GREY 85	WARM GREY 90	COOL GREY 30	COOL GREY 40	COOL GREY 70	COOL GREY 80	COOL GREY 90	BLACK MATT 100
DUSCHPLAN	001	030	199	231	701		711	661	662	668	669	670	671	672	673	674	675	663	664	665	666	667	676



	Total height		Fitting height
	Model-1	Model-2	Model-1
KA 90 horizontal	145	160	80
KA 90 flat	125	160	60
KA 90 vertical	49	160	80

Model	External length [mm]	Internal length [mm]	External width [mm]	Internal width [mm]	Depth inside [mm]	Height of rim [mm]	Height with support [mm]	Width across corners - external length [mm]	Width across corners - external width [mm]	Width across corners - internal length [mm]	Width across corners - internal width [mm]	Width of rim [mm]	Distance bath edge to centre of waste hole [mm]	Side length [mm]	Net weight [kg]
	a ₁	a _s	b ₁	b _s	c ₁	c ₄	c ₁₀	d ₁	d ₂	d ₃	d ₄	e _s	f ₂	j _s	
554	750	620	800	670	65	32	160	-	-	-	-	65	200	-	17
542	800	670	800	670	65	32	160	-	-	-	-	65	200	-	19
547	700	570	900	770	65	32	160	-	-	-	-	65	200	-	19
543	750	620	900	770	65	32	160	-	-	-	-	65	200	-	19
544	800	670	900	770	65	32	160	-	-	-	-	65	200	-	20
545	900	770	900	770	65	32	160	-	-	-	-	65	200	-	24
416	750	620	1000	870	65	32	160	-	-	-	-	65	200	-	21
546	800	670	1000	870	65	32	160	-	-	-	-	65	200	-	23
418	900	770	1000	870	65	32	160	-	-	-	-	65	200	-	26
392	1000	870	1000	870	65	32	160	-	-	-	-	65	200	-	27
419	900	770	1100	970	65	32	160	-	-	-	-	65	200;	-	27
415	700	570	1200	1070	65	32	160	-	-	-	-	65	200	-	24
417	750	570	1200	1070	65	32	160	-	-	-	-	65	200	-	25
555	800	670	1200	1070	65	32	160	-	-	-	-	65	200	-	26
420	900	770	1200	1070	65	32	160	-	-	-	-	65	200	-	31
421	1000	870	1200	1070	65	32	160	-	-	-	-	65	200	-	33
422	1200	1070	1200	1070	65	32	160	-	-	-	-	65	200	-	39
423	700	570	1400	1270	65	32	160	-	-	-	-	65	200	-	27
425	750	620	1400	1270	65	32	160	-	-	-	-	65	200	-	29
427	1000	870	1400	1270	65	32	160	-	-	-	-	65	200	-	37
424	700	570	1700	1570	65	32	160	-	-	-	-	65	200	-	33
426	750	670	1700	1570	65	32	160	-	-	-	-	65	200	-	35

Drain Hole Model	Order No.	Dimensions (mm)	EUR			
			Alpine White (I)	Sanitary Colours (II, III)	Coord. Colours (IV)	
DUSCHPLAN	Ø 90 MM	554-1	4486 0001 xxxx	800 x 750 x 65	620.00	805.00
	542-1	4405 0001 xxxx	800 x 800 x 65	483.00	627.00	
	547-1	4421 0001 xxxx	900 x 700 x 65	603.00	785.00	
	543-1	4409 0001 xxxx	900 x 750 x 65	530.00	688.00	
	544-1	4404 0001 xxxx	900 x 800 x 65	627.00	814.00	
	545-1	4403 0001 xxxx	900 x 900 x 65	503.00	654.00	
	416-1	4316 0001 xxxx	1000 x 750 x 65	767.00	996.00	
	546-1	4401 0001 xxxx	1000 x 800 x 65	756.00	983.00	
	418-1	4318 0001 xxxx	1000 x 900 x 65	756.00	983.00	
	392-1	4402 0001 xxxx	1000 x 1000 x 65	731.00	951.00	
	419-1	4319 0001 xxxx	1100 x 900 x 65	756.00	983.00	
	415-1	4315 0001 xxxx	1200 x 700 x 65	897.00	1,167.00	
	417-1	4317 0001 xxxx	1200 x 750 x 65	897.00	1,167.00	
	555-1	4482 0001 xxxx	1200 x 800 x 65	870.00	1,131.00	
	420-1	4320 0001 xxxx	1200 x 900 x 65	870.00	1,131.00	
	421-1	4321 0001 xxxx	1200 x 1000 x 65	809.00	1,052.00	
	422-1	4322 0001 xxxx	1200 x 1200 x 65	843.00	1,097.00	
	423-1	4323 0001 xxxx	1400 x 700 x 65	897.00	1,167.00	
	425-1	4325 0001 xxxx	1400 x 750 x 65	897.00	1,167.00	
	427-1	4327 0001 xxxx	1400 x 1000 x 65	873.00	1,136.00	
424-1	4324 0001 xxxx	1700 x 700 x 65	976.00	1,268.00		
426-1	4326 0001 xxxx	1700 x 750 x 65	976.00	1,268.00		

	Drain Hole	Model	Order No.	Dimensions (mm)	EUR		
					Alpine White (I)	Sanitary Colours (II, III)	Coord. Colours (IV)
DUSCHPLAN WITH TRAY SUPPORT Total height with tub support: 160 mm	Ø 90 MM	554-2	4486 4804 xxxx	800 x 750 x 65	683.00	886.00	
		542-2	4405 4804 xxxx	800 x 800 x 65	540.00	702.00	
		547-2	4421 4804 xxxx	900 x 700 x 65	674.00	873.00	
		543-2	4409 4804 xxxx	900 x 750 x 65	591.00	767.00	
		544-2	4404 4804 xxxx	900 x 800 x 65	690.00	897.00	
		545-2	4403 4804 xxxx	900 x 900 x 65	560.00	728.00	
		416-2	4316 4804 xxxx	1000 x 750 x 65	850.00	1,104.00	
		546-2	4401 4804 xxxx	1000 x 800 x 65	841.00	1,093.00	
		418-2	4318 4804 xxxx	1000 x 900 x 65	841.00	1,093.00	
		392-2	4402 4804 xxxx	1000 x 1000 x 65	807.00	1,050.00	
		419-2	4319 4804 xxxx	1100 x 900 x 65	841.00	1,093.00	
		415-2	4315 4804 xxxx	1200 x 700 x 65	978.00	1,271.00	
		417-2	4317 4804 xxxx	1200 x 750 x 65	978.00	1,271.00	
		555-2	4482 4804 xxxx	1200 x 800 x 65	953.00	1,239.00	
		420-2	4320 4804 xxxx	1200 x 900 x 65	953.00	1,239.00	
		421-2	4321 4804 xxxx	1200 x 1000 x 65	895.00	1,163.00	
		422-2	4322 4804 xxxx	1200 x 1200 x 65	922.00	1,199.00	
		423-2	4323 4804 xxxx	1400 x 700 x 65	1,010.00	1,313.00	
		425-2	4325 4804 xxxx	1400 x 750 x 65	1,010.00	1,313.00	
		427-2	4327 4804 xxxx	1400 x 1000 x 65	987.00	1,284.00	
424-2	4324 4804 xxxx	1700 x 700 x 65	1,089.00	1,415.00			
426-2	4326 4804 xxxx	1700 x 750 x 65	1,089.00	1,415.00			

OPTIONAL: SURFACE FINISHES	Model	Order No.	Price	EUR		
				Alpine White (I)	Sanitary Colours (II, III)	Coord. Colours (IV)
INVISIBLE GRIP Full base, almost invisible slip resistance. Cannot be combined with easy-clean finish		xxxxxxx1xxx		167.50		
Easy-clean finish		xxxxxxx3xxx		89.50	89.50	89.50
Full anti-slip				239.50	239.50	
Partial anti-slip				119.00	119.00	

OPTIONAL: INFLOW/OUTFLOW TECHNOLOGY^{•1}	Model	Order No.	Price	EUR		
				Alpine White (I)	Sanitary Colours (II, III)	Coord. Colours (IV)
Waste fitting KA 90 horizontal Chrome waste cover, hair catcher included in scope of delivery. Universally applicable for FR and ESR. Optional accessories: enamelled waste cover for KA 90	4103	6877 7256 0999	103.00			
Waste fitting KA 90 flat Chrome waste cover, hair catcher included in scope of delivery. Universally applicable for FR and ESR. Optional accessories: enamelled waste cover for KA 90	4104	6877 7254 0999	123.50			
Waste fitting KA 90 vertical Chrome waste cover, hair catcher included in scope of delivery. Universally applicable for FR and ESR. Optional accessories: enamelled waste cover for KA 90	4105	6877 7255 0999	144.00			
Waste cover KA 90 in addition to the fittings 4103, 4104, 4105						
enamelled		6877 7259 xxxx		41.50	83.00	
enamelled INVISIBLE GRIP		6877 7259 1001		41.50		

OPTIONAL: INSTALLATION ^{•1}	Model	Order No.	Price	Alpine White (I)	Sanitary Colours (II, III)	Coord. Colours (IV)
Shower tray foot frame FR 5300						
Size adjustment up to 900 x 900		5300 0012 0000	171.00			
Size adjustment up to 1200 x 1200		5300 0013 0000	188.50			
Size adjustment up to 1800 x 1500		5300 0014 0000	268.00			
Central support system MAS 5305 required for shower trays larger than 900 mm		6880 7653 0000	26.50			
Sealing kit FLEX		6897 2052 0000	51.50			
Sealing kit floor-level		6897 2049 0000	152.50			
Cut protection tape 4,6m for shower surfaces ≤ 1000 x 1200 mm		6897 2057 0000	67.00			
Cut protection tape 6,6m for shower surfaces > 1000 x 1200 mm		6897 2058 0000	96.50			
Shower tray sound absorbing set DW-ADS		6876 7572 0000	37.00			
Installation tape WES 130 For sound insulation and separation between the bottom edge of the product and the brickwork		6876 7654 0000	15.50			



SANIDUSCH

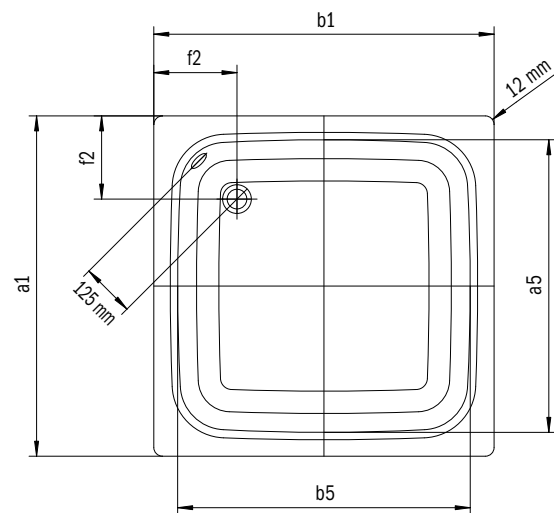
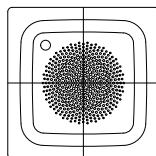
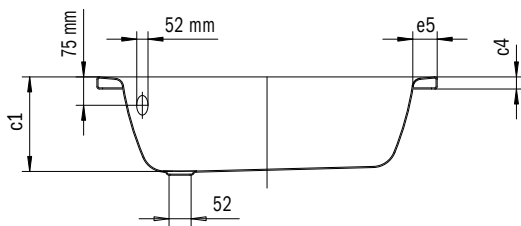
- A classic among shower trays
- Modern, clear design
- Available in rectangular or square design



Similar illustration



SANIDUSCH	ALPINE WHITE	BAHAMABEIGE	MANHATTAN	PERGAMON	BLACK	COORDINATED COLOURS	ALPINE WHITE MATT	WARM BEIGE 20	WARM BEIGE 40	WARM GREY 10	WARM GREY 30	WARM GREY 50	WARM GREY 60	WARM GREY 70	WARM GREY 80	WARM GREY 85	WARM GREY 90	COOL GREY 30	COOL GREY 40	COOL GREY 70	COOL GREY 80	COOL GREY 90	BLACK MATT 100
	001	030	199	231	701																		



Model	External length [mm]	Internal length [mm]	External width [mm]	Internal width [mm]	Depth inside [mm]	Height of rim [mm]	Height with support [mm]	Width across corners - external length [mm]	Width across corners - external width [mm]	Width across corners - internal length [mm]	Width across corners - internal width [mm]	Width of rim [mm]	Distance bath edge to centre of waste hole [mm]	Side length [mm]	Net weight [kg]
	a ₁	a _s	b ₁	b _s	c ₁	c ₄	c ₁₀	d ₁	d ₂	d ₃	d ₄	e _s	f ₂	j _s	
540	700	620	750	670	140	32	-	-	-	-	-	40	175	-	17
548	750	620	800	670	140	32	-	-	-	-	-	65	200	-	18
395	800	670	800	670	140	32	-	-	-	-	-	65	200	-	19
541	700	620	850	770	140	32	-	-	-	-	-	40	175	-	19
539	700	570	900	770	140	32	-	-	-	-	-	65	200	-	20
549	750	620	900	770	140	32	-	-	-	-	-	65	200	-	21
551	800	670	900	770	140	32	-	-	-	-	-	65	200	-	22
396	900	770	900	770	140	32	-	-	-	-	-	65	200	-	25
550	800	670	1000	870	140	32	-	-	-	-	-	65	200	-	24
397	1000	870	1000	870	140	32	-	-	-	-	-	65	200	-	29
552	800	670	1200	1070	140	32	-	-	-	-	-	65	200	-	28

Drain Hole Model	Order No.	Dimensions (mm)	EUR		
			Alpine White (I)	Sanitary Colours (II, III)	Coord. Colours (IV)
SANIDUSCH Ø 52 MM	540	4480 0001 xxxx	750 x 700 x 140	384.00	499.00
	548	3315 0001 xxxx	800 x 750 x 140	229.00	297.00
	395	3310 0001 xxxx	800 x 800 x 140	195.50	254.00
	541	4481 0001 xxxx	850 x 700 x 140	384.00	499.00
	539	4479 0001 xxxx	900 x 700 x 140	394.00	512.00
	549	3316 0001 xxxx	900 x 750 x 140	207.00	270.00
	551	4408 0001 xxxx	900 x 800 x 140	394.00	512.00
	396	3311 0001 xxxx	900 x 900 x 140	201.00	261.00
	550	4406 0001 xxxx	1000 x 800 x 140	578.00	751.00
	397	4407 0001 xxxx	1000 x 1000 x 140	666.00	866.00
552	4483 0001 xxxx	1200 x 800 x 140	654.00	850.00	

OPTIONAL: SURFACE FINISHES	Model	Order No.	Price	Alpine White (I)	Sanitary Colours (II, III)	Coord. Colours (IV)
INVISIBLE GRIP Full base, almost invisible slip resistance. Cannot be combined with easy-clean finish		xxxxxxx1xxx		167.50		
Easy-clean finish		xxxxxxx3xxx		89.50	89.50	
Partial anti-slip				119.00	119.00	

OPTIONAL: INSTALLATION ^{•1}	Model	Order No.	Price	Alpine White (I)	Sanitary Colours (II, III)	Coord. Colours (IV)
Shower tray feet Universal 5200 Size adjustment up to 900 x 900		5843 7700 0000	39.00			
Wall anchor		6876 7513 0000	25.50			
Sealing kit FLEX		6897 2052 0000	51.50			
Cut protection tape 4,6m for shower surfaces ≤ 1000 x 1200 mm		6897 2057 0000	67.00			
Cut protection tape 6,6m for shower surfaces > 1000 x 1200 mm		6897 2058 0000	96.50			
Shower tray sound absorbing set DW-ADS		6876 7572 0000	37.00			
Installation tape WES 130 For sound insulation and separation between the bottom edge of the product and the brickwork		6876 7654 0000	15.50			

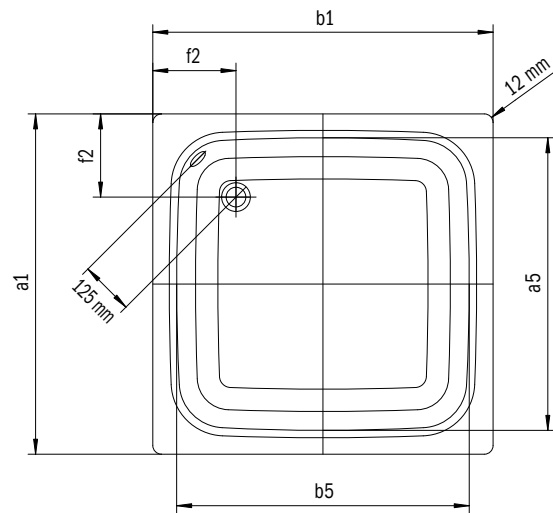
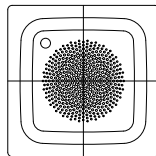
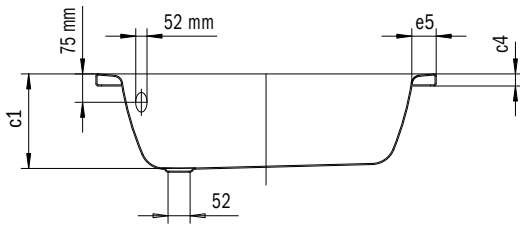
SANIDUSCH

- A classic among shower trays
- Modern, clear design
- Available in rectangular or square design



Similar illustration

SANIDUSCH	ALPINE WHITE	BAHAMABEIGE	MANHATTAN	PERGAMON	BLACK	COORDINATED COLOURS	ALPINE WHITE MATT	WARM BEIGE 20	WARM BEIGE 40	WARM GREY 10	WARM GREY 30	WARM GREY 50	WARM GREY 60	WARM GREY 70	WARM GREY 80	WARM GREY 85	WARM GREY 90	COOL GREY 30	COOL GREY 40	COOL GREY 70	COOL GREY 80	COOL GREY 90	BLACK MATT 100
	001	030	199	231	701																		



Model	External length [mm]	Internal length [mm]	External width [mm]	Internal width [mm]	Depth inside [mm]	Height of rim [mm]	Height with support [mm]	Width across corners - external length [mm]	Width across corners - external width [mm]	Width across corners - internal length [mm]	Width across corners - internal width [mm]	Width of rim [mm]	Distance bath edge to centre of waste hole [mm]	Side length [mm]	Net weight [kg]
	a ₁	a _s	b ₁	b _s	c ₁	c ₄	c ₁₀	d ₁	d ₂	d ₃	d ₄	e _s	f ₂	j _s	
558	750	620	800	670	250	32	-	-	-	-	-	65	220	-	24
495	800	670	800	670	250	32	-	-	-	-	-	65	220	-	25
559	750	620	900	770	250	32	-	-	-	-	-	65	220	-	26
496	900	770	900	770	250	32	-	-	-	-	-	65	220	-	32

	Drain Hole	Model	Order No.	Dimensions (mm)	EUR		
					Alpine White (I)	Sanitary Colours (II, III)	Coord. Colours (IV)
SANIDUSCH with overflow	Ø 52 MM	558	3325 0001 xxxx	800 x 750 x 250	366.00	476.00	
		495	3320 0001 xxxx	800 x 800 x 250	348.00	452.00	
		559	3326 0001 xxxx	900 x 750 x 250	366.00	476.00	
		496	3321 0001 xxxx	900 x 900 x 250	361.00	470.00	

OPTIONAL: SURFACE FINISHES	Model	Order No.	Price	EUR		
				Alpine White (I)	Sanitary Colours (II, III)	Coord. Colours (IV)
INVISIBLE GRIP Full base, almost invisible slip resistance. Cannot be combined with easy-clean finish		xxxxxxx1xxx		167.50	167.50	
Easy-clean finish		xxxxxxx3xxx		89.50	89.50	
Partial anti-slip				119.00	119.00	

OPTIONAL: INSTALLATION^{•1}	Model	Order No.	Price	EUR		
				Alpine White (I)	Sanitary Colours (II, III)	Coord. Colours (IV)
Shower tray feet Universal 5200 Size adjustment up to 900 x 900		5843 7700 0000	39.00			
Wall anchor		6876 7513 0000	25.50			
Sealing kit FLEX		6897 2052 0000	51.50			
Cut protection tape 4,6m for shower surfaces ≤ 1000 x 1200 mm		6897 2057 0000	67.00			
Shower tray sound absorbing set DW-ADS		6876 7572 0000	37.00			
Installation tape WES 130 For sound insulation and separation between the bottom edge of the product and the brickwork		6876 7654 0000	15.50			

SUPERPLAN CLASSIC

- Exclusive, elegant design
- Waste cover integrated almost flush into the shower surface (only in combination with the KA 90 waste fittings)

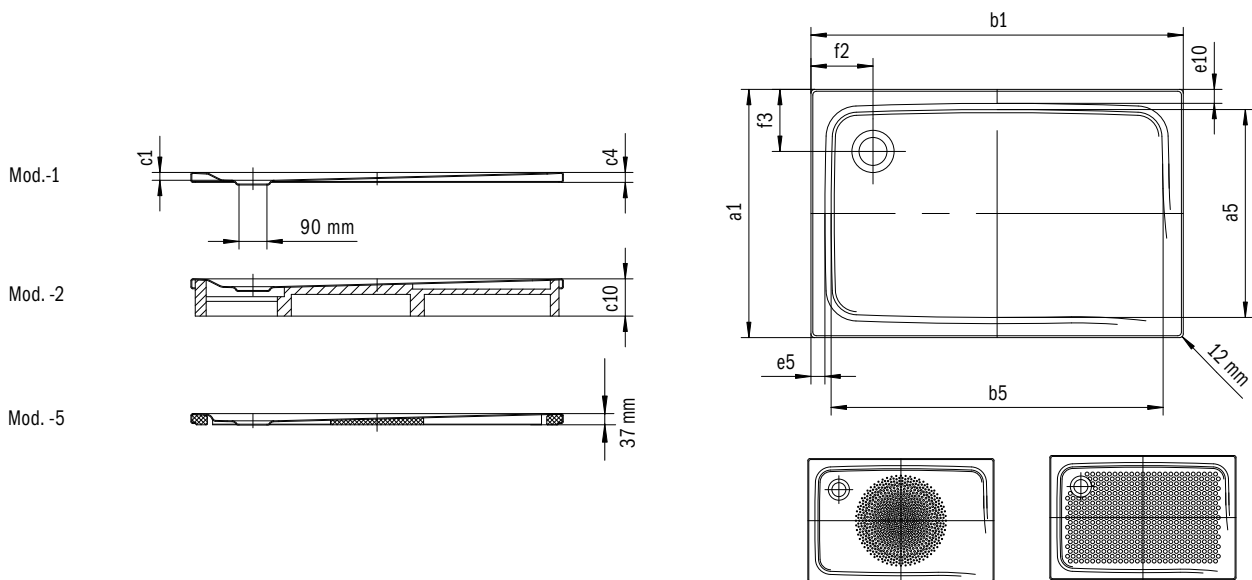


ANTISLIP
SECURE
PLUS

INVISIBLE
GRIP

Similar illustration

	ALPINE WHITE	SANITARY COLOURS				COORDINATED COLOURS	ALPINE WHITE MATT	WARM BEIGE 20	WARM BEIGE 40	WARM GREY 10	WARM GREY 30	WARM GREY 50	WARM GREY 60	WARM GREY 70	WARM GREY 80	WARM GREY 85	WARM GREY 90	COOL GREY 30	COOL GREY 40	COOL GREY 70	COOL GREY 80	COOL GREY 90	BLACK MATT 100
SUPERPLAN CLASSIC	001	030	199	231	701	711	661	662	668	669	670	671	672	673	674	675	663	664	665	666	667	676	



	Model-1		Model-2		Model-5	Fitting height	
	25 mm depth	43 mm depth	25 mm depth	43 mm depth		Model-1	Model-5
KA 90 horizontal	105	123	120	135	105	80	80
KA 90 flat	85	103	120	135	85	60	60
KA 90 vertical	49	49	120	135	37	80	80

Model	External length [mm]	Internal length [mm]	External width [mm]	Internal width [mm]	Depth inside [mm]	Height of rim [mm]	Height with support [mm]	Width across corners - external length [mm]	Width across corners - external width [mm]	Width across corners - internal length [mm]	Width across corners - internal width [mm]	Width of rim [mm]	Distance bath edge to centre of waste hole [mm]	Side length [mm]	Net weight [kg]
	a ₁	a _s	b ₁	b _s	c ₁	c ₄	c ₁₀	d ₁	d ₂	d ₃	d ₄	e _s	f ₂ ; f ₃	j _s	
386	800	690	800	690	25	32	120	-	-	-	-	50	200; 200	-	17
387	750	650	900	800	25	32	120	-	-	-	-	50	200; 200	-	18
388	800	700	900	800	25	32	120	-	-	-	-	50	200; 200	-	19
390	900	790	900	790	25	32	120	-	-	-	-	50	200; 200	-	21
402	750	640	1000	890	25	32	120	-	-	-	-	50	200; 200	-	21
398	800	700	1000	900	25	32	120	-	-	-	-	50	200; 200	-	22
404	900	790	1000	890	25	32	120	-	-	-	-	50	200; 200	-	25
391	1000	870	1000	870	25	32	120	-	-	-	-	50	200; 200	-	27
405	900	790	1100	990	25	32	120	-	-	-	-	50	200; 200	-	25
389	800	700	1200	1100	25	32	120	-	-	-	-	50	200; 200	-	25
406	900	790	1200	1090	25	32	120	-	-	-	-	50	200; 200	-	28
407	1000	890	1200	1090	25	32	120	-	-	-	-	50	200; 200	-	31
399	1200	1070	1200	1070	25	32	120	-	-	-	-	50	200; 200	-	38
429	900	790	1400	1290	43	32	135	-	-	-	-	50	200; 200	-	34
412	1000	890	1400	1290	43	32	135	-	-	-	-	50	200; 200	-	37

	Drain Hole	Model	Order No.	Dimensions (mm)	EUR		
					Alpine White (I)	Sanitary Colours (II, III)	Coord. Colours (IV)
SUPERPLAN CLASSIC	Ø 90 MM	386-1	44750001xxxx	800 x 800 x 25	452.00	589.00	499.00
		387-1	44770001xxxx	900 x 750 x 25	483.00	627.00	531.00
		388-1	44780001xxxx	900 x 800 x 25	575.00	749.00	632.00
		390-1	44690001xxxx	900 x 900 x 25	452.00	589.00	499.00
		402-1	43020001xxxx	1000 x 750 x 25	666.00	866.00	733.00
		398-1	44720001xxxx	1000 x 800 x 25	666.00	866.00	733.00
		404-1	43040001xxxx	1000 x 900 x 25	666.00	866.00	733.00
		391-1	44700001xxxx	1000 x 1000 x 25	546.00	710.00	602.00
		405-1	43050001xxxx	1100 x 900 x 25	760.00	989.00	837.00
		389-1	44730001xxxx	1200 x 800 x 25	760.00	989.00	837.00
		406-1	43060001xxxx	1200 x 900 x 25	760.00	989.00	837.00
		407-1	43070001xxxx	1200 x 1000 x 25	760.00	989.00	837.00
		399-1	44710001xxxx	1200 x 1200 x 25	760.00	989.00	837.00
		429-1	43290001xxxx	1400 x 900 x 43	821.00	1,068.00	904.00
412-1	43120001xxxx	1400 x 1000 x 43	821.00	1,068.00	904.00		
SUPERPLAN CLASSIC WITH SUPPORT Total height with support: 120 mm	Ø 90 MM	386-2	44754804xxxx	800 x 800 x 25	521.00	677.00	573.00
		387-2	44774804xxxx	900 x 750 x 25	549.00	715.00	605.00
		388-2	44784804xxxx	900 x 800 x 25	643.00	836.00	710.00
		390-2	44694804xxxx	900 x 900 x 25	521.00	677.00	573.00
		402-2	43024804xxxx	1000 x 750 x 25	735.00	954.00	809.00
		398-2	44724804xxxx	1000 x 800 x 25	735.00	954.00	809.00
		404-2	43044804xxxx	1000 x 900 x 25	735.00	954.00	809.00
		391-2	44704804xxxx	1000 x 1000 x 25	614.00	800.00	677.00
		405-2	43054804xxxx	1100 x 900 x 25	828.00	1,079.00	911.00
		389-2	44734804xxxx	1200 x 800 x 25	828.00	1,079.00	911.00
		406-2	43064804xxxx	1200 x 900 x 25	828.00	1,079.00	911.00
407-2	43074804xxxx	1200 x 1000 x 25	828.00	1,079.00	911.00		
399-2	44714804xxxx	1200 x 1200 x 25	828.00	1,079.00	911.00		
SUPERPLAN CLASSIC WITH SUPPORT Total height with support: 135 mm	Ø 90 MM	429-2	43294804xxxx	1400 x 900 x 43	908.00	1,181.00	1,001.00
		412-2	43124804xxxx	1400 x 1000 x 43	908.00	1,181.00	1,001.00

	Drain Hole	Model	Order No.	Dimensions (mm)	EUR		
					Alpine White (I)	Sanitary Colours (II, III)	Coord. Colours (IV)
SUPERPLAN CLASSIC WITH EXTRA FLAT TRAY SUPPORT Height with tub support 37 mm	Ø 90 MM	386-5	4475 4798 xxxx	800 x 800 x 25	476.00	618.00	524.00
		387-5	4477 4798 xxxx	900 x 750 x 25	504.00	656.00	555.00
		388-5	4478 4798 xxxx	900 x 800 x 25	598.00	778.00	659.00
		390-5	4469 4798 xxxx	900 x 900 x 25	476.00	618.00	524.00
		402-5	4302 4798 xxxx	1000 x 750 x 25	688.00	895.00	758.00
		398-5	4472 4798 xxxx	1000 x 800 x 25	688.00	895.00	758.00
		404-5	4304 4798 xxxx	1000 x 900 x 25	688.00	895.00	758.00
		391-5	4470 4798 xxxx	1000 x 1000 x 25	569.00	740.00	627.00
		405-5	4305 4798 xxxx	1100 x 900 x 25	783.00	1,017.00	863.00
		389-5	4473 4798 xxxx	1200 x 800 x 25	783.00	1,017.00	863.00
		406-5	4306 4798 xxxx	1200 x 900 x 25	783.00	1,017.00	863.00
		407-5	4307 4798 xxxx	1200 x 1000 x 25	783.00	1,017.00	863.00
		399-5	4471 4798 xxxx	1200 x 1200 x 25	783.00	1,017.00	863.00

OPTIONAL: SURFACE FINISHES	Model	Order No.	Price	Alpine White (I)	Sanitary Colours (II, III)	Coord. Colours (IV)
INVISIBLE GRIP Full base, almost invisible slip resistance. Cannot be combined with easy-clean finish		xxxxxxxx1xxx		167.50		
ANTI-SLIP SECURE PLUS Full base slip resistance in matt look. Cannot be combined with easy-clean finish		xxxxxxxx2xxx		167.50		167.50
Easy-clean finish		xxxxxxxx3xxx		89.50	89.50	89.50
Full anti-slip				239.50	239.50	
Partial anti-slip				119.00	119.00	

OPTIONAL: INFLOW/OUTFLOW TECHNOLOGY^{•1}	Model	Order No.	Price	Alpine White (I)	Sanitary Colours (II, III)	Coord. Colours (IV)
Waste fitting KA 90 horizontal Chrome waste cover, hair catcher included in scope of delivery. Universally applicable for FR and ESR. Optional accessories: enamelled waste cover for KA 90	4103	6877 7256 0999	103.00			
Waste fitting KA 90 flat Chrome waste cover, hair catcher included in scope of delivery. Universally applicable for FR and ESR. Optional accessories: enamelled waste cover for KA 90	4104	6877 7254 0999	123.50			
Waste fitting KA 90 vertical Chrome waste cover, hair catcher included in scope of delivery. Universally applicable for FR and ESR. Optional accessories: enamelled waste cover for KA 90	4105	6877 7255 0999	144.00			
Waste cover KA 90 in addition to the fittings 4103, 4104, 4105						
enamelled		6877 7259 xxxx		41.50	83.00	41.50
enamelled anti-slip SECURE PLUS		6877 7259 2xxx		41.50		41.50
enamelled INVISIBLE GRIP		6877 7259 1001		41.50		

OPTIONAL: INSTALLATION^{•1}	Model	Order No.	Price	Alpine White (I)	Sanitary Colours (II, III)	Coord. Colours (IV)
ESR floor level installation system (for -1 models)						
800 x 800 (recess 828 x 828)		6400 0011 0000	425.00			
900 x 750 (recess 928 x 778)		6400 0013 0000	425.00			
900 x 800 (recess 928 x 828)		6400 0014 0000	425.00			
900 x 900 (recess 928 x 928)		6400 0015 0000	425.00			
1000 x 750 (recess 1028 x 778)		6400 0016 0000	425.00			
1000 x 800 (recess 1028 x 828)		6400 0017 0000	425.00			
1000 x 900 (recess 1028 x 928)		6400 0018 0000	425.00			
1000 x 1000 (recess 1028 x 1028)		6400 0019 0000	425.00			
1100 x 900 (recess 1128 x 928)		6400 0021 0000	425.00			
1200 x 800 (recess 1228 x 828)		6400 0024 0000	468.00			
1200 x 900 (recess 1228 x 928)		6400 0025 0000	468.00			
1200 x 1000 (recess 1228 x 1028)		6400 0027 0000	468.00			
1200 x 1200 (recess 1228 x 1228)		6400 0028 0000	468.00			
1400 x 900 (recess 1428 x 928)		6400 0035 0000	560.00			
1400 x 1000 (recess 1428 x 1028)		6400 0036 0000	560.00			
Shower tray foot frame FR 5300						
Size adjustment up to 900 x 900		5300 0012 0000	171.00			
Size adjustment up to 1200 x 1200		5300 0013 0000	188.50			
Size adjustment up to 1800 x 1500		5300 0014 0000	268.00			
Central support system MAS 5305 required for shower trays larger than 900 mm		6880 7653 0000	26.50			
Sealing kit FLEX		6897 2052 0000	51.50			
Sealing kit floor-level		6897 2049 0000	152.50			
Cut protection tape 4,6m for shower surfaces ≤ 1000 x 1200 mm		6897 2057 0000	67.00			
Cut protection tape 6,6m for shower surfaces > 1000 x 1200 mm		6897 2058 0000	96.50			
Shower tray sound absorbing set DW-ADS		6876 7572 0000	37.00			
Installation tape WES 130 For sound insulation and separation between the bottom edge of the product and the brickwork		6876 7654 0000	15.50			

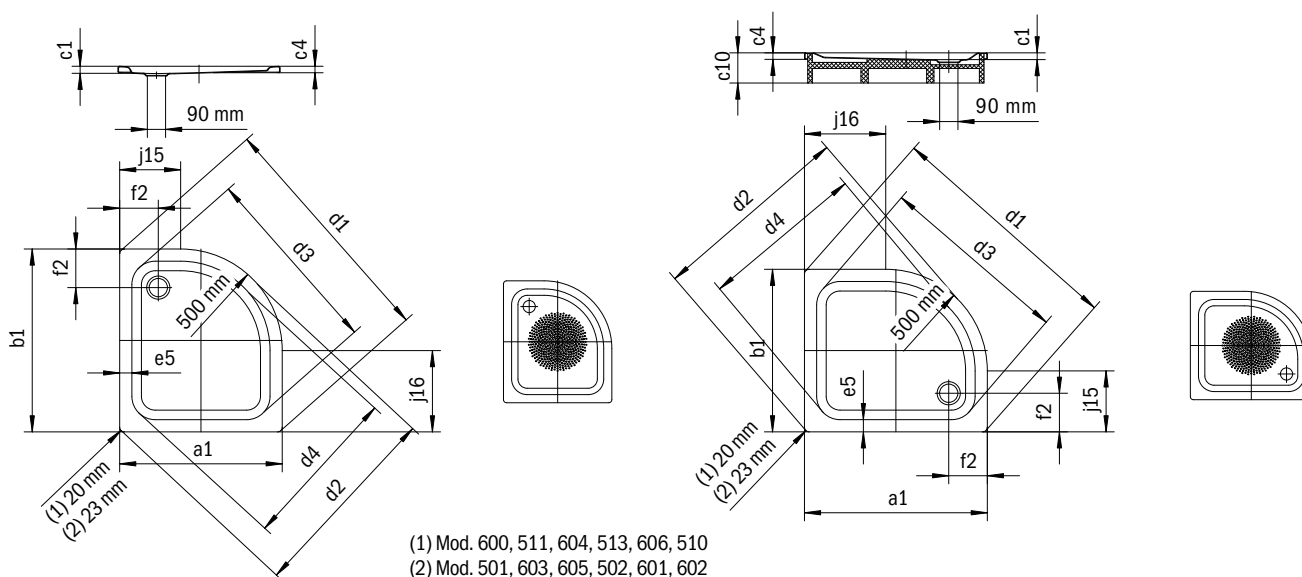
ZIRKON

- Clear design, large standing area
- Side waste
- Elegant, functional quadrant form allows it to be intelligently installed even in the smallest of spaces
- Waste cover integrated almost flush into the shower surface (only in combination with the KA 90 waste fittings)



Similar illustration

	ALPINE WHITE	BAHAMABEIGE	MANHATTAN	PERGAMON	BLACK	COORDINATED COLOURS	ALPINE WHITE MATT	WARM BEIGE 20	WARM BEIGE 40	WARM GREY 10	WARM GREY 30	WARM GREY 50	WARM GREY 60	WARM GREY 70	WARM GREY 80	WARM GREY 85	WARM GREY 90	COOL GREY 30	COOL GREY 40	COOL GREY 70	COOL GREY 80	COOL GREY 90	BLACK MATT 100
ZIRKON	001	SANITARY COLOURS 030	199	231	701		711	661	662	668	669	670	671	672	673	674	675	663	664	665	666	667	676



	Model-1		Model-2		Fitting height Model-1
	35 mm depth	65 mm depth	35 mm depth	65 mm depth	
KA 90 horizontal	115	145	130	160	80
KA 90 flat	95	125	130	160	60
KA 90 vertical	49	49	130	160	80

Model	External length [mm]	Internal length [mm]	External width [mm]	Internal width [mm]	Depth inside [mm]	Height of rim [mm]	Height with support [mm]	Width across corners - external length [mm]	Width across corners - external width [mm]	Width across corners - internal length [mm]	Width across corners - internal width [mm]	Width of rim [mm]	Distance bath edge to centre of waste hole [mm]	Side length [mm]	Net weight [kg]	Nettogewicht [kg]
	a ₁	a _s	b ₁	b _s	c ₁	c ₄	c ₁₀	d ₁	d ₂	d ₃	d ₄	e _s	f ₂	j ₁₅	j ₁₆	
501	900	-	750	-	35	32	130	1155	964	910	792	55	190	400	250	17
600	800	-	800	-	35	32	130	1115	916	866	730	55	190	300	300	17
511	800	-	800	-	65	32	160	1115	916	876	742	55	190	300	300	17
603	900	-	800	-	35	32	130	1185	990	940	812	55	190	400	300	18
605	1000	-	800	-	35	32	130	1262	1075	1020	903	55	190	500	300	20
502	750	-	900	-	35	32	130	1155	964	910	792	55	190	250	400	17
601	800	-	900	-	35	32	130	1185	990	940	812	55	190	300	400	18
604	900	-	900	-	35	32	130	1256	1057	1007	870	55	190	400	400	21
513	900	-	900	-	65	32	160	1256	1057	1018	883	55	190	400	400	21
602	800	-	1000	-	35	32	130	1262	1075	1020	903	55	190	300	500	20
606	1000	-	1000	-	35	32	130	1397	1198	1150	1015	55	190	500	500	25
510	1000	-	1000	-	65	32	160	1397	1198	1149	1015	55	190	500	500	26

Drain Hole	Model	Order No.	Dimensions (mm)	EUR			
				Alpine White (I)	Sanitary Colours (II, III)	Coord. Colours (IV)	
ZIRKON	Ø 90 MM	501-1	4555 0001 xxxx	750 x 900 x 35	909.00	1,183.00	1,001.00
		600-1	4565 0001 xxxx	800 x 800 x 35	652.00	846.00	717.00
		511-1	4520 0001 xxxx	800 x 800 x 65	652.00	846.00	
		603-1	4568 0001 xxxx	800 x 900 x 35	909.00	1,183.00	1,001.00
		605-1	4570 0001 xxxx	800 x 1000 x 35	909.00	1,183.00	1,001.00
		502-1	4556 0001 xxxx	900 x 750 x 35	909.00	1,183.00	1,001.00
		601-1	4566 0001 xxxx	900 x 800 x 35	909.00	1,183.00	1,001.00
		604-1	4569 0001 xxxx	900 x 900 x 35	652.00	846.00	717.00
		513-1	4522 0001 xxxx	900 x 900 x 65	652.00	846.00	
		602-1	4567 0001 xxxx	1000 x 800 x 35	909.00	1,183.00	1,001.00
		606-1	4571 0001 xxxx	1000 x 1000 x 35	733.00	953.00	807.00
		510-1	4564 0001 xxxx	1000 x 1000 x 65	733.00	953.00	
ZIRKON WITH SUPPORT Total height with tub support: 130 mm	Ø 90 MM	501-2	4555 4804 xxxx	750 x 900 x 35	1,077.00	1,399.00	1,185.00
		600-2	4565 4804 xxxx	800 x 800 x 35	823.00	1,070.00	904.00
		603-2	4568 4804 xxxx	800 x 900 x 35	1,077.00	1,399.00	1,185.00
		605-2	4570 4804 xxxx	800 x 1000 x 35	1,077.00	1,399.00	1,185.00
		502-2	4556 4804 xxxx	900 x 750 x 35	1,077.00	1,399.00	1,185.00
		601-2	4566 4804 xxxx	900 x 800 x 35	1,077.00	1,399.00	1,185.00
		604-2	4569 4804 xxxx	900 x 900 x 35	823.00	1,070.00	904.00
		602-2	4567 4804 xxxx	1000 x 800 x 35	1,077.00	1,399.00	1,185.00
		606-2	4571 4804 xxxx	1000 x 1000 x 35	906.00	1,178.00	998.00
ZIRKON WITH SUPPORT Total height with tub support: 160 mm	Ø 90 MM	513-2	4522 4804 xxxx	900 x 900 x 65	828.00	1,077.00	
		511-2	4520 4804 xxxx	800 x 800 x 65	828.00	1,077.00	
		510-2	4564 4804 xxxx	1000 x 1000 x 65	909.00	1,183.00	

OPTIONAL: SURFACE FINISHES	Model	Order No.	Price	Alpine White (I)	Sanitary Colours (II, III)	Coord. Colours (IV)
INVISIBLE GRIP Full base, almost invisible slip resistance. Cannot be combined with easy-clean finish		xxxxxxx1xxx	167.50			
Easy-clean finish		xxxxxxx3xxx	89.50	89.50	89.50	89.50
Partial anti-slip			119.00	119.00	119.00	

OPTIONAL: INFLOW/OUTFLOW TECHNOLOGY^{•1}	Model	Order No.	Price	Alpine White (I)	Sanitary Colours (II, III)	Coord. Colours (IV)
Waste fitting KA 90 horizontal Chrome waste cover, hair catcher included in scope of delivery. Universally applicable for FR and ESR. Optional accessories: enamelled waste cover for KA 90	4103	687772560999	103.00			
Waste fitting KA 90 flat Chrome waste cover, hair catcher included in scope of delivery. Universally applicable for FR and ESR. Optional accessories: enamelled waste cover for KA 90	4104	687772540999	123.50			
Waste fitting KA 90 vertical Chrome waste cover, hair catcher included in scope of delivery. Universally applicable for FR and ESR. Optional accessories: enamelled waste cover for KA 90	4105	687772550999	144.00			
Waste cover KA 90 in addition to the fittings 4103, 4104, 4105 enamelled		68777259xxx	41.50	83.00	41.50	
enamelled INVISIBLE GRIP		687772591001	41.50			

OPTIONAL: INSTALLATION^{•1}	Model	Order No.	Price	Alpine White (I)	Sanitary Colours (II, III)	Coord. Colours (IV)
Shower tray foot frame FR 5300 Size adjustment up to 1000 x 1000 (ZIRKON)	5300	530000160000	197.50			
Central support system MAS 5305 required for shower trays larger than 900 mm		688076530000	26.50			
Sealing kit FLEX		689720520000	51.50			
Sealing kit floor-level quadrant		689720510000	152.50			
Cut protection tape 4,6m for shower surfaces ≤ 1000 x 1200 mm		689720570000	67.00			
Shower tray sound absorbing set DW-ADS		687675720000	37.00			
Installation tape WES 130 For sound insulation and separation between the bottom edge of the product and the brickwork		687676540000	15.50			



SHOWERING

SYSTEM OVERVIEW

	FLAT SHOWER SURFACES																	
	CAYONOPLAN MULTISPACE	NEXSYS	CONOFLAT	SUPERPLAN PLUS	SUPERPLAN	SUPERPLAN ZERO	CAYONOPLAN	SCONA	CONOFLAT	SUPERPLAN PLUS	SUPERPLAN	SUPERPLAN ZERO	CAYONOPLAN	SCONA	CONOFLAT	SUPERPLAN PLUS	SUPERPLAN	
	Low profile Supports												with Support					
INSTALLATION																		
flush with the floor	•	•	•	•	•	•	•	•	•	•	•	•	•	•				
almost flush with the floor			•	•	•	•	•	•	•	•	•	•	•	•				
platform			•	•	•	•	•	•							•	•	•	
barrier-free according to DIN 18040-2 (1200 x 1200 mm)	•	•	•	•	•	•	•	•	•	•	•	•	•	•				
barrier-free according to DIN 18040-2R (1500 x 1500 mm)				•														
barrier-free with movement area according to DIN 18040-2	•																	
INSTALLATION																		
INSTALLATION SYSTEM ESR FLOOR-LEVEL ³	•		•	•	•	•	•	•										
FR 5300 FLEX / FLEX PLUS ⁵	•		•	•	•	•	•	•										
UNIVERSAL SHOWER TRAY FEET 5200																		
SYSTEMBOARD NEXSYS (SBN)		•																
SUPPLY AND WASTE TECHNOLOGY																		
KA 120 horizontal / flat / vertical			•	•					•	•					•	•		
KA 90 horizontal / flat / vertical	•				•	•	•	•		•	•	•	•	•				•
KA 4121/4122		•																
SURFACES																		
INVISIBLE GRIP	•	•	•	•	•	•	•	•	•	•	•	•	•	•	•	•	•	•
ANTI-SLIP SECURE PLUS	•	•	•	•	•	•	•	•	•	•	•	•	•	•	•	•	•	•
FULL ANTI-SLIP			•	•	•		•	•	•	•	•	•	•	•	•	•	•	•
PARTIAL ANTI-SLIP			•	•	•		•	•	•	•	•	•	•	•	•	•	•	•
EASY-CLEAN FINISH ¹		•	•	•	•	•	•	•	•	•	•	•	•	•	•	•	•	•
WATERPROOF																		
Sealing kit FLEX	•		•	•	•	•	•	•	•	•	•	•	•	•	•	•	•	•
Sealing kit floor-level ³	•		•	•	•	•	•	•	•	•	•	•	•	•	•	•	•	•
Sealing kit quadrant																		
Sealing kit pentagonal																		
CENTRAL SUPPORT SYSTEMS																		
MAS ²	•		•	•	•	•	•	•										
SILENCE PLUS																		
Shower tray sound-absorbing set DWS ⁶	•		•	•	•	•	•	•	•	•	•	•	•	•	•	•	•	•
Shower tray sound-absorbing set DW-ADS ⁶	•		•	•	•	•	•	•	•	•	•	•	•	•	•	•	•	•
WAS 70 ⁶	•		•	•	•	•	•	•	•	•	•	•	•	•	•	•	•	•
WES 130	•	•	•	•	•	•	•	•	•	•	•	•	•	•	•	•	•	•

	QUADRANT AND PENTAGON			SHOWER SURFACES DEEPER 65 MM			
	CORNEZZA	ARRONDO	ZIRKON	DUSCHPLAN	SANIDUSCH	DUSCHPLAN with Support	SANIDUSCH ⁴
INSTALLATION							
flush with the floor	•	•	•				
almost flush with the floor	•	•	•	•			
platform	•	•	•	•	•	•	•
barrier-free according to DIN 18040-2 (1200 x 1200 mm)							
barrier-free according to DIN 18040-2R (1500 x 1500 mm)							
barrier-free with movement area according to DIN 18040-2							
INSTALLATION							
INSTALLATION SYSTEM ESR FLOOR-LEVEL ³							
FR 5300 FLEX / FLEX PLUS ⁵	•	•	•	•			
UNIVERSAL SHOWER TRAY FEET 5200					•		
SYSTEMBOARD NEXSYS (SBN)							
SUPPLY AND WASTE TECHNOLOGY							
KA 120 horizontal / flat / vertical							
KA 90 horizontal / flat / vertical	•	•	•	•		•	
KA 4121/4122							
SURFACES							
INVISIBLE GRIP	•	•	•	•	•	•	•
ANTI-SLIP SECURE PLUS							
FULL ANTI-SLIP							
PARTIAL ANTI-SLIP	•	•	•	•	•	•	•
EASY-CLEAN FINISH ¹	•	•	•	•	•	•	•
WATERPROOF							
Sealing kit FLEX	•	•	•	•	•		
Sealing kit floor-level ³	•	•	•				
Sealing kit quadrant	•	•	•				
Sealing kit pentagonal	•	•	•				
CENTRAL SUPPORT SYSTEMS							
MAS ²	•	•	•	•			
SILENCE PLUS							
Shower tray sound-absorbing set DWS ⁶	•	•	•	•	•	•	•
Shower tray sound-absorbing set DW-ADS ⁶	•	•	•	•	•	•	•
WAS 70 ⁶	•	•	•	•	•	•	•
WES 130	•	•	•	•	•	•	•

¹ Not in connection with SEC. ² From a side length greater than or equal to 900 mm.

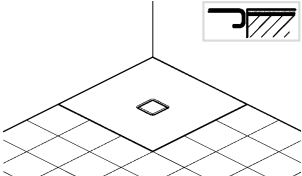
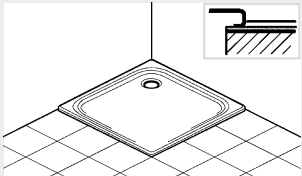
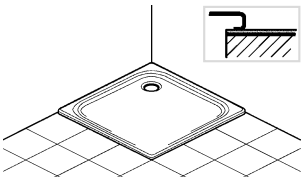
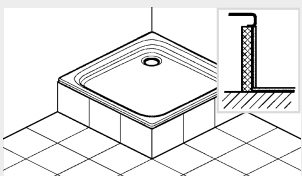
³ ESR floor-level: Sealing kit floor-level included in the scope of delivery. ⁴ Not included in the KALDEWEI product range.


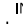
⁵ For Switzerland only FR 5300 FLEX PLUS available.



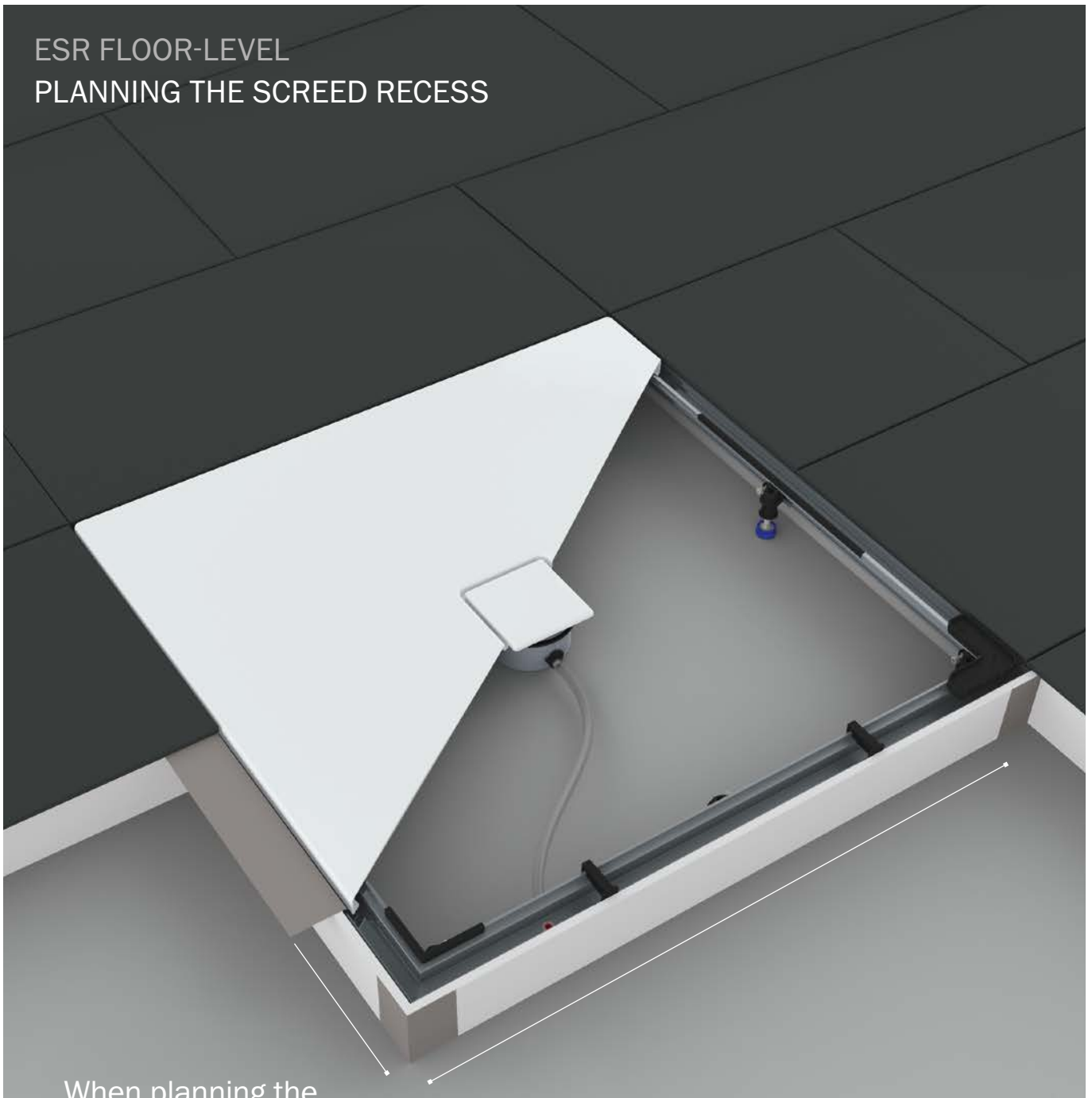
INSTALLATION

INSTALLATION SYSTEMS

	ESR FLOOR-LEVEL INSTALLATION SYSTEM	SHOWER TRAY FOOT FRAME FR 5300 FLEX/ 5300 FLEX PLUS	PROFILE SUPPORT LOW PROFILE SUPPORT (CAYONOPLAN/ SUPERPLAN)	SHOWER TRAY FEET UNIVERSAL 5200 ¹	NEXSYS SYSTEMBOARD SBN
	+ MAS 5305 OR MAS 5315 (DEPENDING ON SHOWER SURFACE)	+ MAS 5305 OR MAS 5315 (DEPENDING ON SHOWER SURFACE)			
Floor-level installation 	•	• + sealing kit floor-level	• + sealing kit floor-level		•
Virtually floor-level installation 		• + sealing kit FLEX ²	• + sealing kit FLEX ²		
Low profile installation 		• + sealing kit FLEX ²	• + sealing kit FLEX ²		
Raised installation 		• + sealing kit FLEX ²	• + with support + sealing kit FLEX ²	• + sealing kit FLEX ²	

 1. only for shower trays up to 900 x 900 mm from 65 mm and deeper
 2. Sealing kit FLEX – seals the joint between rim and wall of shower surfaces not installed flush to floor

ESR FLOOR-LEVEL PLANNING THE SCREED RECESS



When planning the screed recess, always remember that the ESR FLOOR-LEVEL is 28 mm wider and longer than the shower tray.

- When laying a new screed floor, the recess may be created using the formwork units supplied.
- Lower installation heights require floor cut-outs or breakthroughs.
- When installing a flush shower tray, ensure that there is a gap between the waste fitting and the floor.
- The connection of the waste fitting to the local waste system and the hose for the anti-seepage connection may need to be pried open.
- KALDEWEI recommends the use of a standard backflow block in the horizontal waste pipe.



INSTALLATION

ESR FLOOR-LEVEL

1



- Define the waste fitting position and screw the foot elements into the pre-assembled mounts
- Align the ESR frame
- Note the dimensions for the screed adjustment (+ 28mm) attach and connect the formwork panels

2



- Lay the screed
- Shorten the formwork panels to the screed height
- KALDEWEI waste fitting is required to connect the creep water hose

3



- Apply sealing tape along the inside of the frame, secure corner elements to the corners using mounting adhesive or waterproofing slurry,
- integrate the composite sealing of the bath.
- Tile
- Apply the butyl sealing tape along the inside of the frame

4



- Connect the waste fitting, check for leaks and set the shower surface
- Seal the joint edges (= maintenance joint) using suitable flexible sealant
- Finished!

INSTALLATION

ESR FLOOR LEVEL INSTALLATION SYSTEM



ESR FLOOR LEVEL INSTALLATION SYSTEM (FOR -1 MODELS)



EXTENSION SET



MOUNTING ADHESIVE

ESR floor level installation system (for -1 models)

- for simple and safe floor-level installation of rectangular shower surfaces from KALDEWEI
- pre-assembled aluminium frame in the right size for the shower surface
- complete system with all relevant assembly components
- 3D Flex feet for horizontal and vertical adjustment bypass all obstacles in the floor
- more independence from change of trades – ESR can be set before or after the screed recess, the shower area is set after all screed and tiling work.
- included accessories: SEALING KIT FLOOR-LEVEL ESR (with sealing tape, 2 corner profiles, 4 multifunctional corners), fleece butyl sealing strip for inner sealing, pre-fitted sound insulation strip on frame, sound-insulated 3D Flex leg system (height adjustment 49 to 164 mm) with floor fasteners, Allen key for height adjustment of feet, recess aids/formwork panels for screed recesses and tile laying aid
- required accessories (not included): Waste fitting KA 90/KA 120 with seepage water connection

	Model	Order No.	Price	Alpine White (I)	Sanitary Colours (II, III)	Coord. Colours (IV)	EUR
EXTENSION SET FOR ESR / FR 5300 FLEX / FR 5300 FLEX PLUS							
Extension set for 4 foot units		640001010000	• 56.00				
Extension set for 5 foot units		640001020000	• 65.00				
Extension set for 6 foot units		640001030000	• 76.50				
Mounting adhesive for bonding the sealing components (310 ml)		584574690000	• 28.00				



A central support is required for dimensions of 900 x 900 mm or more.
We recommend the KALDEWEI central support system MAS.



	Quantity	Order No.	Price	Alpine White (I)	Sanitary Colours (II, III)	EUR Coord. Colours (IV)
	Foot units					
ESR floor level installation system						
(for -1 models)						
700 x 700 (recess 728 x 728)	4	640000700000	• 425.00			
800 x 700 (recess 828 x 728)	4	640000690000	• 425.00			
800 x 750 (recess 828 x 778)	4	640000100000	• 425.00			
800 x 800 (recess 828 x 828)	4	640000110000	• 425.00			
900 x 700 (recess 928 x 728)	4	640000120000	• 425.00			
900 x 750 (recess 928 x 778)	4	640000130000	• 425.00			
900 x 800 (recess 928 x 828)	4	640000140000	• 425.00			
900 x 900 (recess 928 x 928)	4	640000150000	• 425.00			
1000 x 700 (recess 1028 x 728)	6	640000680000	• 425.00			
1000 x 750 (recess 1028 x 778)	6	640000160000	• 425.00			
1000 x 800 (recess 1028 x 828)	6	640000170000	• 425.00			
1000 x 900 (recess 1028 x 928)	6	640000180000	• 425.00			
1000 x 1000 (recess 1028 x 1028)	8	640000190000	• 425.00			
1100 x 700 (recess 1128 x 728)	6	640000650000	• 425.00			
1100 x 750 (recess 1128 x 778)	6	640000260000	• 425.00			
1100 x 800 (recess 1128 x 828)	6	640000200000	• 425.00			
1100 x 900 (recess 1128 x 928)	6	640000210000	• 425.00			
1100 x 1000 (recess 1128 x 1028)	8	640000530000	• 468.00			
1100 x 1100 (recess 1128 x 1128)	8	640000660000	• 468.00			
1200 x 700 (recess 1228 x 728)	6	640000220000	• 468.00			
1200 x 750 (recess 1228 x 778)	6	640000230000	• 468.00			
1200 x 800 (recess 1228 x 828)	6	640000240000	• 468.00			
1200 x 900 (recess 1228 x 928)	6	640000250000	• 468.00			
1200 x 1000 (recess 1228 x 1028)	8	640000270000	• 468.00			
1200 x 1100 (recess 1228 x 1128)	8	640000630000	• 468.00			
1200 x 1200 (recess 1228 x 1228)	8	640000280000	• 468.00			
1300 x 700 (recess 1328 x 728)	6	640000670000	• 560.00			
1300 x 750 (recess 1328 x 778)	6	640000640000	• 560.00			
1300 x 800 (recess 1328 x 828)	6	640000290000	• 560.00			
1300 x 900 (recess 1328 x 928)	6	640000300000	• 560.00			
1300 x 1000 (recess 1328 x 1028)	8	640000310000	• 560.00			
1400 x 700 (recess 1428 x 728)	6	640000320000	• 560.00			
1400 x 750 (recess 1428 x 778)	6	640000330000	• 560.00			
1400 x 800 (recess 1428 x 828)	6	640000340000	• 560.00			
1400 x 900 (recess 1428 x 928)	6	640000350000	• 560.00			
1400 x 1000 (recess 1428 x 1028)	8	640000360000	• 560.00			
1500 x 700 (recess 1528 x 728)	6	640000370000	• 765.00			
1500 x 750 (recess 1528 x 778)	6	640000380000	• 765.00			
1500 x 800 (recess 1528 x 828)	6	640000540000	• 765.00			
1500 x 900 (recess 1528 x 928)	6	640000390000	• 765.00			
1500 x 1000 (recess 1528 x 1028)	8	640000400000	• 765.00			
1500 x 1500 (recess 1528 x 1528)	8	640000410000	• 765.00			
1600 x 700 (recess 1628 x 728)	8	640000420000	• 765.00			
1600 x 750 (recess 1628 x 778)	8	640000430000	• 765.00			
1600 x 800 (recess 1628 x 828)	8	640000550000	• 765.00			
1600 x 900 (recess 1628 x 928)	8	640000440000	• 765.00			
1600 x 1000 (recess 1628 x 1028)	8	640000450000	• 765.00			
1700 x 700 (recess 1728 x 728)	10	640000460000	• 765.00			
1700 x 750 (recess 1728 x 778)	8	640000470000	• 765.00			
1700 x 800 (recess 1728 x 828)	8	640000620000	• 765.00			
1700 x 900 (recess 1728 x 928)	8	640000480000	• 765.00			
1700 x 1000 (recess 1728 x 1028)	10	640000490000	• 765.00			
1800 x 800 (recess 1828 x 828)	8	640000500000	• 765.00			
1800 x 900 (recess 1828 x 928)	8	640000510000	• 765.00			
1800 x 1000 (recess 1828 x 1028)	10	640000520000	• 765.00			

INSTALLATION

FR 5300 FLEX SHOWER SURFACE FEET FRAME



FR 5300 FLEX
ANGULAR



FR 5300 FLEX
ARRONDO



FR 5300 FLEX
CORNEZZA



FR 5300 FLEX
ZIRKON

FR 5300 FLEX Shower surface feet frame

- including frame attachment
- designed for Kaldewei shower surfaces
- size adjustment up to a maximum of 900 x 900 mm or 1200 x 1200 mm and 1500 x 1800 mm for square and rectangular shower trays and 1000 x 1000 mm for quadrant and pentagonal shower trays (aluminium connection profiles for all smaller dimensions can be cut to length using the markings on the profile)
- feet are sound insulated, optimum sound insulation in accordance with DIN 4109/A1 in conjunction with the KALDEWEI sound insulation accessories (details can be found in the KALDEWEI sound insulation certificate)

	Model	Order No.	Price	Alpine White (I)	Sanitary Colours (II, III)	Coord. Colours (IV)	EUR
Shower tray foot frame FR 5300							
Size adjustment up to 900 x 900		530000120000	• 171.00				
Size adjustment up to 1200 x 1200		530000130000	• 188.50				
Size adjustment up to 1800 x 1500		530000140000	• 268.00				
Size adjustment up to 1000 x 1000 (ARRONDO)		530000170000	• 197.50				
Size adjustment up to 1000 x 1000 (CORNEZZA)		530000150000	• 207.00				
Size adjustment up to 1000 x 1000 (ZIRKON)		530000160000	• 197.50				



Please note: A central support is required for dimensions of 900 x 900 mm or more. We recommend the use of the KALDEWEI central support system MAS.

INSTALLATION

FR 5300 FLEX PLUS SHOWER SURFACE FEET FRAME



FR 5300 FLEX PLUS
ANGULAR



FR 5300 FLEX PLUS
ARRONDO



FR 5300 FLEX PLUS
CORNEZZA



FR 5300 FLEX PLUS
ZIRKON

FR 5300 FLEX PLUS Shower surface feet frame

- including frame attachment
- designed for Kaldewei shower surfaces
- size adjustment up to a maximum of 900 x 900 mm or 1200 x 1200 mm and 1500 x 1800 mm (aluminium connection profiles can be cut to length for all smaller dimensions)
- feet are sound insulated, optimum sound insulation in accordance with DIN 4109/A1 in conjunction with the KALDEWEI sound insulation accessories (details can be found in the KALDEWEI sound insulation certificate)
- additional scope of delivery: Sound insulation strip WAS 70, two floor attachments, an additional foot unit for greater stability in special installation situations

	Model	Order No.	Price	Alpine White (I)	Sanitary Colours (II, III)	Coord. Colours (IV)	EUR
Shower tray foot frame FR 5300 PLUS							
Size adjustment up to 900 x 900		530000180000	• 230.50				
Size adjustment up to 1200 x 1200		530000190000	• 243.00				
Size adjustment up to 1800 x 1500		530000200000	• 327.00				
Size adjustment up to 1000 x 1000 (ARRONDO)		530000230000	• 256.00				
Size adjustment up to 1000 x 1000 (CORNEZZA)		530000210000	• 256.00				
Size adjustment up to 1000 x 1000 (ZIRKON)		530000220000	• 256.00				



* suitable for shower areas from 1300-1800 mm. Please note: A central support is required for dimensions of 900 x 900 mm or more. We recommend the use of the KALDEWEI central support system MAS.

INSTALLATION

SYSTEM BOARD NEXSYS



SYSTEM BOARD NEXSYS

System board NEXSYS

- convenient alignment thanks to level surface
- fast levelling of height-adjustable feet from above
- seamless surface ensures easy installation of the shower surface
- robust material ideal for point loads and prevents silicone cracks and tears
- height-adjustable feet with integrated sound insulation

				EUR
	Model	Order No.	Price	
				Alpine White (I) Sanitary Colours (II, III) Coord. Colours (IV)
Systemboard NEXSYS				
Can only be combined with KA4121				
800 x 800		584575510000	• 197.50	
900 x 800		584575520000	• 197.50	
900 x 900		584575570000	• 197.50	
1000 x 800		584575530000	• 232.50	
1000 x 900		584575580000	• 232.50	
1000 x 1000		584575650000	• 232.50	
1100 x 900		584575590000	• 232.50	
1200 x 800		584575540000	• 232.50	
1200 x 900		584575600000	• 232.50	
1200 x 1000		584575660000	• 232.50	
1200 x 1200		584575690000	• 232.50	
1300 x 900		584575610000	• 302.00	
1400 x 800		584575550000	• 302.00	
1400 x 900		584575620000	• 302.00	
1400 x 1000		584575670000	• 302.00	
1600 x 800		584575560000	• 302.00	
1600 x 900		584575630000	• 302.00	
1600 x 1000		584575680000	• 302.00	
1700 x 750		584575500000	• 302.00	
1700 x 900		584575640000	• 302.00	

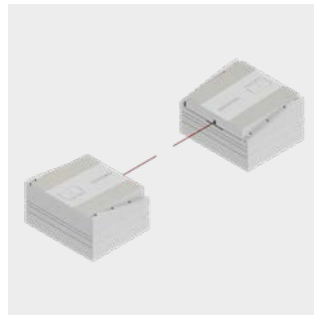


INSTALLATION

CENTRAL SUPPORT SYSTEM



CENTRAL SUPPORT SYSTEM
MAS 5305



CENTRAL SUPPORT SYSTEM
MAS 5315



CENTRAL SUPPORT SYSTEM
MAS 5335

Central support system MAS 5305

- for ARRONDO, CAYONOPLAN, CORNEZZA, DUSCHPLAN, SUPERPLAN, SUPERPLAN PLUS and ZIRKON
- 240 x 300 mm (width x length)
- height: 48 to 135 mm (adjustable)
- set comprising: 1x upper wedge with 2 double-sided adhesive tapes (pre-assembled), 1x lower wedge, 1x tension wood (pre-assembled), 1600 mm tension cord (pre-assembled), 1x adapter plate 40mm and 1x adapter plate 20mm

Central Support System MAS 5315

- for CONOFLAT
- height: 50 to 137 mm (adjustable)
- set comprising: 2x upper wedge for shower areas from 800x1500 mm incl. double-sided adhesive tape (pre-assembled), 2x upper wedge for shower areas up to 1000x1400 mm incl. double-sided adhesive tape (pre-assembled), 2x lower wedge, 2x tension wood (pre-assembled), 2x 1600 mm tension cord (pre-assembled), 2x adapter plates 10 mm, 2x adapter plates 20 mm and 2x adapter plates 40 mm

Central Support System MAS 5335

- for SCONA
- set comprising: 2x upper incl. double-sided adhesive tape (pre-assembled), 2x lower wedge, 2x tension wood (pre-assembled), 2x 1600 mm tension cord (pre-assembled), 2x adapter plate 10 mm, 2x adapter plate 20 mm and 2x adapter plate 40 mm

	Model	Order No.	Price	Alpine White (I)	Sanitary Colours (II, III)	Coord. Colours (IV)
						EUR
Central support system MAS 5305		688076530000	• 26.50			
Central support system MAS 5315		688076990000	• 56.00			
Central support system MAS 5335		688077460000	• 56.00			
Extension set MAS 5305		688077450000	• 26.50			
Extension set MAS 5315 / 5335		688077440000	• 56.00			



Please note: a centre support is required for shower areas larger than or equal to 900 x 900 mm that are installed with a frame system. We recommend using MAS

INSTALLATION

WALL ANCHOR/SHOWER FEET UNIVERSAL



WALL ANCHOR



SHOWER FEET UNIVERSAL

Wall anchor

- det with two sound-insulated bath anchors that can be flexibly mounted for any installation situation
- decure fixation of the bathtub or shower tray (only suitable for raised installation) on the wall
- contents: 2 piece set, sound insulated

Shower feet universal

- 5 height-adjustable screw feet (96 to 141 mm and 141 to 186 mm)
- depending on the installation situation, 2 legs and the node can be moved
- feet are sound insulated, optimum sound insulation in accordance with DIN 4109/A1 in conjunction with the KALDEWEI sound-absorbing set DWS
- can be used for Sanidusch shower tray (up to 900 x 900 mm)

	Model	Order No.	Price	Alpine White (I)	Sanitary Colours (II, III)	Coord. Colours (IV)	EUR
Wall anchor		687675130000	• 25.50				
Shower tray feet Universal 5200							
Size adjustment up to 900 x 900		584377000000	• 39.00				

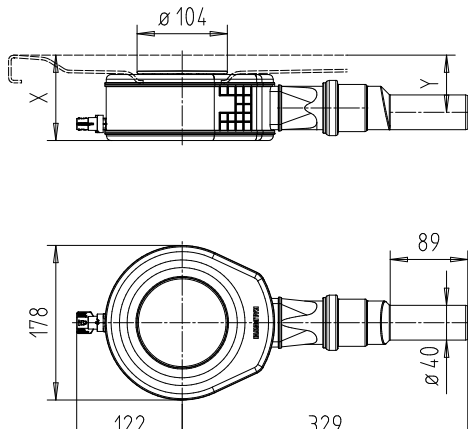
SUPPLY AND WASTE TECHNOLOGY

WASTE FITTINGS KA 90 AND KA 120

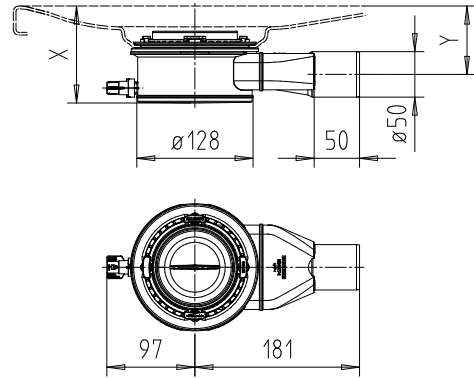
	KA 90 HORIZONTAL 4103	KA 90 FLAT 4104	KA 90 VERTICAL 4105	KA 120 HORIZONTAL 4106	KA 120 FLAT 4107	KA 120 VERTICAL 4108
DIMENSIONS						
Connection pipe diameter	50 mm	40 mm	50 mm	50 mm	40 mm	50 mm
Length of connection pipe (Connection pipe length)	55 mm	50 mm	60 mm	50 mm	48 mm	55 mm
Distance between the waste fitting axis and the connection pipe	211 mm	198 mm	107 mm	181 mm	178 mm	-
Drainage capacity	0,71 l/sek.	0,68 l/sek.	1,22 l/sek.	0,85 l/sek.	0,50 l/sek.	1,40 l/sek.
Fitting height	80 mm	60 mm	80 mm	83 mm	63 mm	83 mm
HEIGHT SHOWER SURFACE WITH SIPHON (X) in mm						
CONOFLAT	-	-	-	107	87	107
SUPERPLAN PLUS (Depth inside 25/52 mm)	-	-	-	108/135	88/115	49/49
ARRONDO (Depth inside 25/65 mm)	105/145	85/125	49/49	-	-	-
ARRONDO with apron	145	125	49	-	-	-
CORNEZZA (Depth inside 25/65 mm)	105/145	85/125	49/49	-	-	-
SCONA	103	83	49	-	-	-
SUPERPLAN (Depth inside 25 mm)	105	85	49	-	-	-
SUPERPLAN ZERO	100	80	49	-	-	-
CAYONOPLAN (Depth inside 18/25 mm)	98/105	78/85	49/49	-	-	-
DUSCHPLAN	145	125	49	-	-	-
SUPERPLAN CLASSIC (Depth inside 25/43 mm)	105/123	85/103	49/49	-	-	-
ZIRKON (Tiefe innen 35/65 mm)	115/115	95/125	49/49	-	-	-
CONNECTION HEIGHT WASTE FITTING (Y) in mm						
CONOFLAT	-	-	-	56	58	-
SUPERPLAN PLUS (Depth inside 25/52 mm)	-	-	-	58/85	60/87	-
ARRONDO (Depth inside 25/65 mm)	68/108	56/96	-	-	-	-
ARRONDO with apron	108	96	-	-	-	-
CORNEZZA (Depth inside 25/65 mm)	68/108	56/96	-	-	-	-
SCONA	66	54	-	-	-	-
SUPERPLAN (Depth inside 25 mm)	68	56	-	-	-	-
SUPERPLAN ZERO	63	51	-	-	-	-
CAYONOPLAN (Depth inside 18/25 mm)	61/68	49/56	-	-	-	-
DUSCHPLAN	108	96	-	-	-	-
SUPERPLAN CLASSIC (Depth inside 25/43 mm)	68/86	56/74	-	-	-	-
ZIRKON (Depth inside 35/65 mm)	78/108	66/96	-	-	-	-

SUPPLY AND WASTE TECHNOLOGY

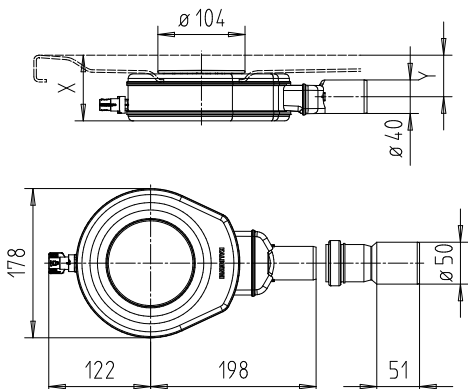
WASTE FITTINGS KA 90 AND KA 120



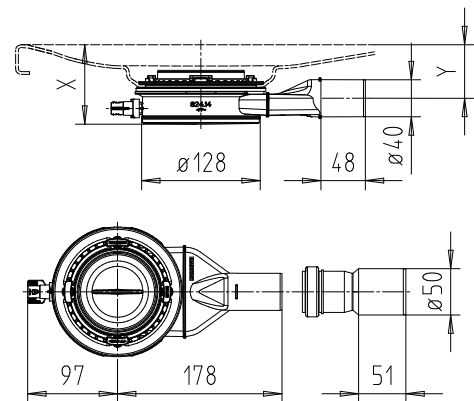
KA 90 HORIZONTAL



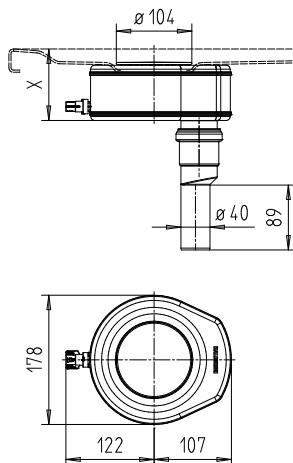
KA 120 HORIZONTAL



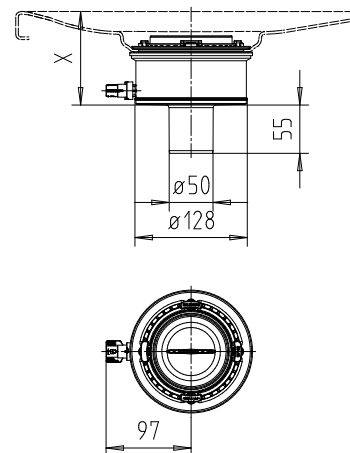
KA 90 FLAT



KA 120 FLAT



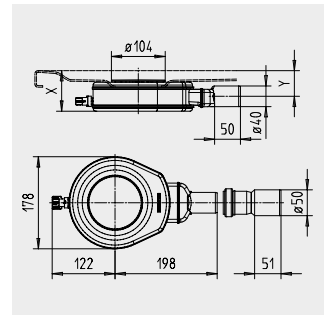
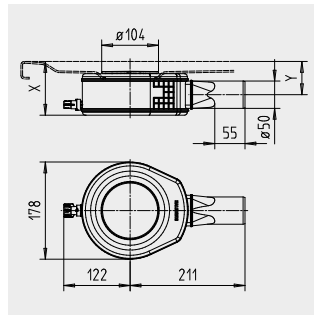
KA 90 VERTICAL



KA 120 VERTICAL

SUPPLY AND WASTE TECHNOLOGY

KA 90 HORIZONTAL/FLAT



WASTE FITTING KA 90
HORIZONTAL

WASTE FITTING KA 90 FLAT

Waste fitting KA 90 horizontal

- waste cover flush with the shower surface and easy to remove
- easy to clean
- direct access to the waste pipe by means of a removable odour trap
- drainage capacity in accordance with EN 274, recommended for shower heads with a water flow of up to 0.3l/sec.
- included in the scope of delivery: Chrome cover, hair catcher
- enamelled waste cover optionally as a finishing set

Waste fitting KA 90 flat

- very low installation height
- waste cover flush with the shower surface and easy to remove
- easy to clean
- direct access to the waste pipe by means of a removable odour trap
- included in the scope of delivery: Chrome cover, hair catcher
- enamelled waste cover optionally as a finishing set

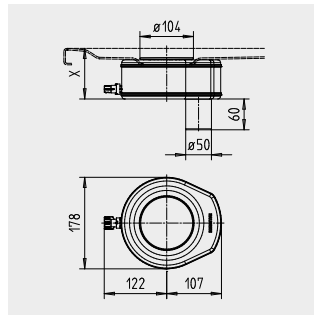
	Model	Order No.	Price	Alpine White (I)	Sanitary Colours (II, III)	EUR Coord. Colours (IV)
Waste fitting KA 90 horizontal Chrome waste cover, hair catcher included in scope of delivery. Universally applicable for FR and ESR. Optional accessories: enamelled waste cover for KA 90	4103	687772560999	103.00			
Waste fitting KA 90 flat Chrome waste cover, hair catcher included in scope of delivery. Universally applicable for FR and ESR. Optional accessories: enamelled waste cover for KA 90	4104	687772540999	123.50			



Please note: A central support is required for dimensions of 900 x 900 mm or more. We recommend the use of the KALDEWEI central support system MAS.

SUPPLY AND WASTE TECHNOLOGY

KA 90 VERTICAL



WASTE FITTING KA 90 VERTICAL

Waste fitting KA 90 vertical

- waste cover flush with the shower surface and easy to remove
- easy to clean
- direct access to the waste pipe by means of a removable odour trap
- drainage capacity in accordance with EN 274, recommended for shower heads with a water flow of up to 0.3l/sec.
- included in the scope of delivery: Chrome cover, hair catcher
- enamelled waste cover optionally as a finishing set

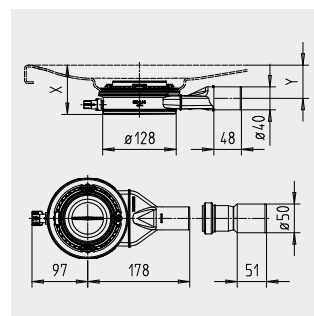
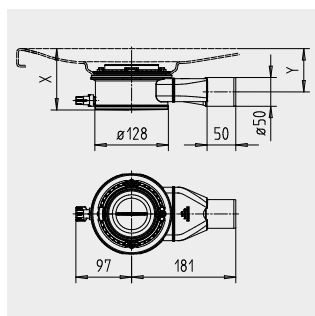
	Model	Order No.	Price	Alpine White (I)	Sanitary Colours (II, III)	EUR Coord. Colours (IV)
Waste fitting KA 90 vertical Chrome waste cover, hair catcher included in scope of delivery. Universally applicable for FR and ESR. Optional accessories: enamelled waste cover for KA 90	4105	687772550999	144.00			



Please note: A central support is required for dimensions of 900 x 900 mm or more. We recommend the use of the KALDEWEI central support system MAS.

SUPPLY AND WASTE TECHNOLOGY

KA 120 HORIZONTAL/FLAT



WASTE FITTING KA 120
HORIZONTAL

WASTE FITTING KA 120 FLAT

Waste fitting KA 120 horizontal

- waste cover flush with the shower surface and easy to remove
- easy to clean
- direct access to the waste pipe by means of a removable odour trap
- drainage capacity in accordance with EN 274 (seal water height 50mm), recommended for shower heads with a water flow of up to 0.3l/sec.
- included in the scope of delivery: Hair catcher
- required accessories: Finishing set enamelled drain cover

Waste fitting KA 120 flat

- very low installation height
- waste cover flush with the shower surface and easy to remove
- easy to clean
- direct access to the waste pipe by means of a removable odour trap
- included in the scope of delivery: Hair catcher
- required accessories: Finishing set enamelled drain cover

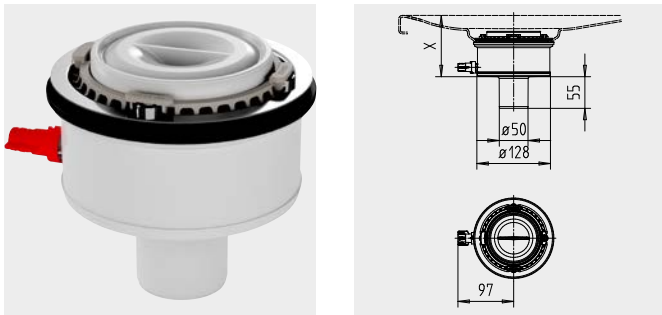
	Model	Order No.	Price	Alpine White (I)	Sanitary Colours (II, III)	EUR Coord. Colours (IV)
Waste fitting KA 120 horizontal without waste cover, hair catcher included in the scope of delivery. Universally applicable for FR and ESR.	4106	687772530000	• 113.50			
Waste fitting KA 120 flat without waste cover, hair catcher included in the scope of delivery. Universally applicable for FR and ESR.	4107	687772510000	• 134.50			



Please note: A central support is required for dimensions of 900 x 900 mm or more. We recommend the use of the KALDEWEI central support system MAS.

SUPPLY AND WASTE TECHNOLOGY

KA 120 VERTICAL



WASTE FITTING KA 120
VERTICAL

Waste fitting KA 120 vertical

- waste cover flush with the shower surface and easy to remove
- easy to clean
- direct access to the waste pipe by means of a removable odour trap
- drainage capacity in accordance with EN 274 (seal water height 50mm), recommended for shower heads with a water flow of up to 0.3l/sec.
- included in the scope of delivery: Hair catcher
- required accessories: Finishing set enamelled drain cover

	Model	Order No.	Price	Alpine White (I)	Sanitary Colours (II, III)	Coord. Colours (IV)	EUR
Waste fitting KA 120 vertical without waste cover, hair catcher included in the scope of delivery. Universally applicable for FR and ESR.	4108	687772520000	• 155.00				



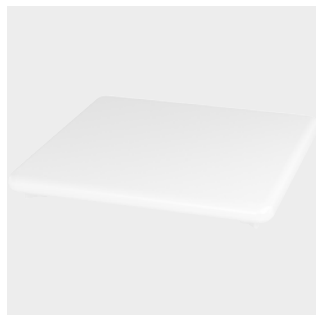
Please note: A central support is required for dimensions of 900 x 900 mm or more. We recommend the use of the KALDEWEI central support system MAS.

SUPPLY AND WASTE TECHNOLOGY

WASTE COVER KA 90/KA 120



WASTE COVER KA 90



WASTE COVER KA 120
FOR CONOFLAT



COVER KA 120
FOR SUPERPLAN PLUS

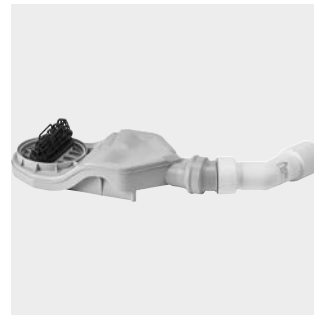
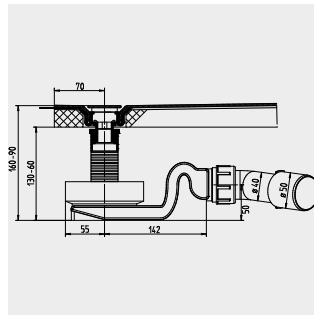
	Model	Order No.	Price	Alpine White (I)	Sanitary Colours (II, III)	Coord. Colours (IV)
Waste cover KA 120 for CONOFLAT						
enamelled		68777257xxxx		• 41.50	• 83.00	• 41.50
enamelled anti-slip SECURE PLUS		687772572xxx		• 41.50		• 41.50
enamelled INVISIBLE GRIP		687772571001		• 41.50		
Waste cover KA 120 for SUPERPLAN PLUS						
enamelled		68777258xxxx		• 41.50	• 83.00	• 41.50
enamelled anti-slip SECURE PLUS		687772582xxx		• 41.50		• 41.50
enamelled INVISIBLE GRIP		687772581001		• 41.50		41.50
Waste cover KA 90						
in addition to the fittings 4103, 4104, 4105						
enamelled		68777259xxxx		• 41.50	• 83.00	• 41.50
enamelled anti-slip SECURE PLUS		687772592xxx		• 41.50		• 41.50
enamelled INVISIBLE GRIP		687772591001		• 41.50		

SUPPLY AND WASTE TECHNOLOGY

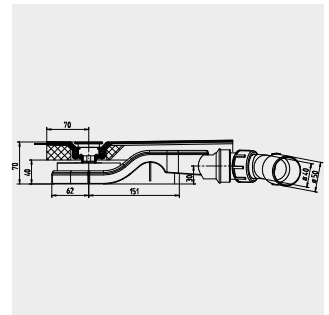
KA 4121/KA 4122 FOR NEXSYS



NEXSYS WASTE FITTING
KA 4121



NEXSYS WASTE FITTING
KA 4122 ULTRA FLAT



	Model	Order No.	Price	Alpine White (I)	Sanitary Colours (II, III)	Coord. Colours (IV)	EUR
NEXSYS Waste fitting KA 4121 Incl. hair catcher, water seal height 50 mm	KA 4121	687771210000	• 97.50				
NEXSYS Waste fitting KA 4122 ultra flat Incl. hair catcher, water seal height 25 mm	KA 4122	687771220000	• 97.50				



SOUND INSULATION

SHOWER TRAY SOUND-ABSORBING SET DW-ADS/SHOWER

TRAY SOUND-ABSORBING SET DWS/WAS 70/WES 130



SHOWER TRAY SOUND-ABSORBING SET DW-ADS



SHOWER TRAY SOUND-ABSORBING SET DWS



WALL SOUND INSULATION STRIP WAS 70



INSTALLATION TAPE WES 130

Shower tray sound-absorbing set DW-ADS

- set comprising: 4x sound-absorbing pads 250 x 250 mm

Shower tray sound-absorbing set DWS

- sound insulation set for shower areas, consisting of: 2x bathtub anchors (sound insulated), 1x bathtub connection sound insulation tape WAS 70, 1x bathtub installation sound insulation tape WES 130, 4x sound-absorbing pads and 1x assembly instructions
- complies with DIN 4109/A1 in combination with the specially sound insulated KALDEWEI feet

Wall sound insulation strip WAS 70

- 1x bathtub connection sound decoupling strip WAS 70 and 1x assembly instructions

Installation tape WES 130

- For sound insulation between the lower edge of the tray and the brickwork
- Also serves as a separation between the steel enamel and the building structure

	Model	Order No.	Price	Alpine White (I)	Sanitary Colours (II, III)	Coord. Colours (IV)
Shower tray sound insulation set DWS		68767560000	• 100.00			
Shower tray sound absorbing set DW-ADS		68767572000	• 37.00			
Connection sound insulation tape WAS 70						
3,30 m		68767603000	• 31.50			
10,00 m		68767604000	• 82.00			
Installation tape WES 130		68767654000	• 15.50			

WATERPROOF

SEALING KIT FLOOR-LEVEL/SEALING KIT FLEX/ CUT PROTECTION TAPE/SEALING ACCESSORIES



SEALING KIT FLOOR-LEVEL



SEALING KIT FLOOR-LEVEL
PENTAGONAL



SEALING KIT FLOOR-LEVEL
QUADRANT



SEALING KIT FLEX

Sealing kit Floor-level

- simple and safe – sealing system from a single source
- easy installation thanks to corner elements that are perfectly matched to the radii of the KALDEWEI shower surfaces
- the complete solution for the all-round safe sealing of floor-level showers for almost all standard installation situations
- sealing in the system – the sealing set is matched to various sealing components of the construction chemistry
- **Sealing kit floor-level contains:** 1x bathtub sealing tape 6.2 m, 2x wall corners, 4x multifunctional corners, 1x assembly instructions
- **Sealing kit floor-level pentagon contains:** 1x bathtub sealing tape 5.0 m, 1x wall corners, 4x multifunctional corners, 1x assembly instructions
- **Sealing kit floor-level quadrant contains:** 1x bathtub sealing tape 6.2 m, 1x wall corners, 2x multifunctional corners, 1x assembly instructions

Sealing kit FLEX

- simple and safe – sealing system from a single source
- universal solution for bathtubs and showers that are not installed flush with the floor
- easy installation thanks to corner elements that are perfectly matched to the radii of the KALDEWEI shower surfaces
- the prefabricated sealing elements take into account both wall-side corner installation and niche installation of the bathtub
- sealing in the system – the sealing set is matched to various sealing components of the construction chemistry
- contains 1x bathtub sealing tape 5.0 m, 2x wall corners, 1x assembly instructions

	Model	Order No.	Price	Alpine White (I)	Sanitary Colours (II, III)	Coord. Colours (IV)
Sealing kit floor-level		689720490000	• 152.50			
Sealing kit floor-level pentagonal		689720500000	• 152.50			
Sealing kit floor-level quadrant		689720510000	• 152.50			
Sealing kit FLEX		689720520000	• 51.50			
Cut protection tape 4,6m for shower surfaces ≤ 1000 x 1200 mm		689720570000	• 67.00			
Cut protection tape 6,6m for shower surfaces > 1000 x 1200 mm		689720580000	• 96.50			
Sealing accessories			• 123.50			
Sealing tape 25m (120mm)		584471750000	• 123.50			
Multifunctional corner piece 10x		584471770000	• 230.50			
Wall corner piece 10x		584471760000	• 140.50			

SURFACES

INVISIBLE GRIP



INVISIBLE GRIP

INVISIBLE GRIP

- Virtually invisible, full-base anti-slip surface
- The LGA Bautechnik confirms that the INVISIBLE GRIP from KALDEWEI has a slip resistance of at least 24° (evaluation class C) in accordance with DIN EN 16165 - Annex A. 30 years slip-resistant effect.
- Optimum stability
- Brilliant shine
- Easy cleaning
- Cannot be combined with easy-clean finish
- In the case of waste fittings with an enamelled waste cover the corresponding waste fitting in the KALDEWEI INVISIBLE GRIP version should be considered in addition to the bath or shower surface
- For shower surfaces (full base slip resistance) and bathtubs (slip resistance on the standing surface)

				EUR
	Model	Order No.	Price	
				Alpine White (I) Sanitary Colours (II, III) Coord. Colours (IV)
INVISIBLE GRIP		xxxxxxxx1xxx	167.50	
Full base, almost invisible slip resistance. Cannot be combined with easy-clean finish.				



INVISIBLE GRIP cannot be combined with easy-clean finish. In the case of waste fittings with an enamelled waste cover (KA 90, KA 120), the corresponding waste fitting in INVISIBLE GRIP design should be considered in addition to the shower area!

SURFACES

ANTI-SLIP SECURE PLUS/EASY-CLEAN FINISH



ANTI-SLIP SECURE PLUS



EASY-CLEAN FINISH

Anti-slip SECURE PLUS

- Full-surface, anti-slip enamelling
- Available in all colours of the Coordinated Colours Collection
- LGA Bautechnik confirms that ANTI-SLIP SECURE PLUS from KALDEWEI has a slip resistance of at least 18° (assessment class B) and at least 10° (R10) in accordance with DIN EN 16165 - Annex A and B. 30 years slip resistance.
- Cannot be combined with easy-clean finish
- In the case of waste fittings with an enamelled waste cover (KA 90, KA 120), the corresponding waste fitting in the KALDEWEI SECURE PLUS version should be considered in addition to the shower surface

Easy-clean finish

- Surface finish permanently fired into the KALDEWEI steel enamel
- Water simply rolls off the shower surface taking virtually all dirt and lime particles with it
- Even dried-on water spots and lime deposits can be easily removed
- Available for all bathtubs and shower surfaces

	Model	Order No.	Price	Alpine White (I)	Sanitary Colours (II, III)	Coord. Colours (IV)	EUR
ANTI-SLIP SECURE PLUS		xxxxxxx2xxx		167.50			167.50
Full base slip resistance in matt look. Cannot be combined with easy-clean finish.							
Easy-clean finish		xxxxxxx3xxx		94.00	94.00		94.00



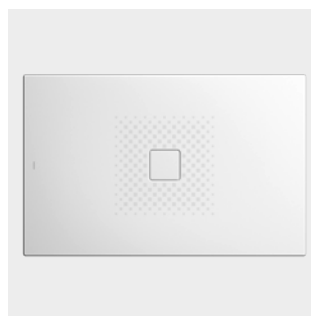
ANTISLIP SECURE PLUS cannot be combined with easy-clean finish. In the case of waste fittings with an enamelled waste cover (KA 90, KA 120), the corresponding waste fitting in ANTISLIP SECURE PLUS design should be considered in addition to the shower area!

SURFACES

PARTIAL ANTI-SLIP AND FULL ANTI-SLIP



FULL ANTI-SLIP



PARTIAL ANTI-SLIP

Full anti-slip

- Point-applied, slip-resistant surface (full base)
- The LGA Bautechnik confirms that KALDEWEI's Full anti-slip has a slip resistance of at least 18° (assessment class B) and at least 10° (R10) in accordance with DIN EN 16165 - Annex A and B. 30 years slip resistance.
- You can find the exact positioning of the Full anti-slip on the individual models at www.kaldewei.com

Partial anti-slip

- Slip-resistant surface applied at specific points
- The LGA Bautechnik confirms that the KALDEWEI partial antislip has a slip resistance of at least 18° (assessment class B) and at least 10° (R10) in accordance with DIN EN 16165 - Annex A and B. 30 years slip-resistant effect.
- The exact positioning of the partial anti-slip on the individual models can be found at www.kaldewei.com

	Model	Order No.	Price	Alpine White (I)	Sanitary Colours (II, III)	EUR Coord. Colours (IV)
Full anti-slip				239.50	239.50	
Partial anti-slip				119.00	119.00	

CLEANING & CARE

EMAILLE-SET/ENAMEL PEN/ENAMEL CLEANING/CLEANING PEN



ENAMEL SET



ENAMEL PEN



ENAMEL MAINTENANCE



CLEANING PEN

Enamel set

- Spatula
- 30g putty
- 8g hardener
- 36ml enamel spray
- not suitable for products with surface treatment (easy-clean, partial anti-slip, full anti-slip and ANTISLIP SECURE PLUS)

Enamel pen

- 12 ml

Enamel maintenance

- 100 ml

	Model	Order No.	Price	Alpine White (I)	Sanitary Colours (II, III)	Coord. Colours (IV)
Enamel set		687673560001	• 55.00			
Enamel pen						
alpine white		687673580001	• 30.00			
alpine white matt		687673580711	• 30.00			
Enamel cleaning		687673600000	• 23.50			
Cleaning pen		687673540000	• 26.50			



KALDENWEI

SHOWERDRAINAGE

When sensual design meets the pioneering spirit of a premium brand, something very special is created. As one of the leading bathroom manufacturers, with KALDEWEI FLOW® we offer the perfect shower profile solution for every shower area. The FLOWLINE ZERO - the special highlight in the bathroom. With the patent-pending KALDEWEI CLICK'N CLEAN® opening mechanism, cleaning and maintenance are easier than ever.

For particularly sustainable bathrooms, the new channel solution from KALDEWEI is available on request as FLOWLINE HEATRECOVERY with an integrated heat recovery system.

OUR PRODUCT ADVANTAGES:

- The world's first and only premium design shower profile with one-handed and tool-free immediate removal of the panel insert with CLICK'N CLEAN®, to which the hair trap strainer is simultaneously attached for removal and cleaning (patent-pending opening mechanism)
- Shower profile made of the latest generation of high-quality stainless steel with a slight gradient for efficient drainage
- Individual length adjustment by shortening the standard profile lengths
- Can be positioned in front of the wall or directly on the wall
- Also suitable for installation with seamless, closed system floors
- Timeless design by Studio Aisslinger, design language to match the shower surfaces
- 5 colors cover all relevant tile and fittings color worlds
- Perfectly matched to all FLOWDRAIN HORIZONTAL drain sets Complete sets

FLOWLINE HEATRECOVERY

SHOWERING AND SAVING ENERGY – IT'S SO SIMPLE

DO YOU WANT ...

- ... A GOOD CONSCIENCE?
- ... MORE EFFICIENCY?
- ... ENJOYABLE SHOWERING?

The new KALDEWEI shower channels with heat recovery make everyone a winner! Instead of washing the valuable heat of the shower water down the drain, the KALDEWEI FLOWLINE HEATRECOVERY recovers this heat and guarantees an enjoyable showering experience with full comfort.

A heat exchanger integrated in the channel ensures efficient heat recovery. Completely in the spirit of sustainability, significantly less hot water has to be added to ensure a pleasantly warm shower temperature. This saves a lot of energy, noticeably reduces costs and reduces the CO₂ footprint. You will find a profitability calculation on the next page.

SAFETY GUARANTEED

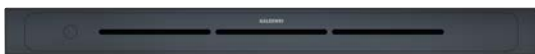
All KALDEWEI FlowLine HEATRECOVERY shower profiles are drinking water certified: DVGW, KIWA, SVGW, SSIGE, WRAS.



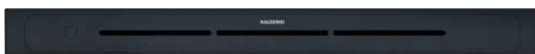
BRUSHED STAINLESS STEEL



BRUSHED CHAMPAGNE



BRUSHED GRAPHITE



BLACK MATT 100



ALPINE WHITE MATT

FLOWLINE HEATRECOVERY

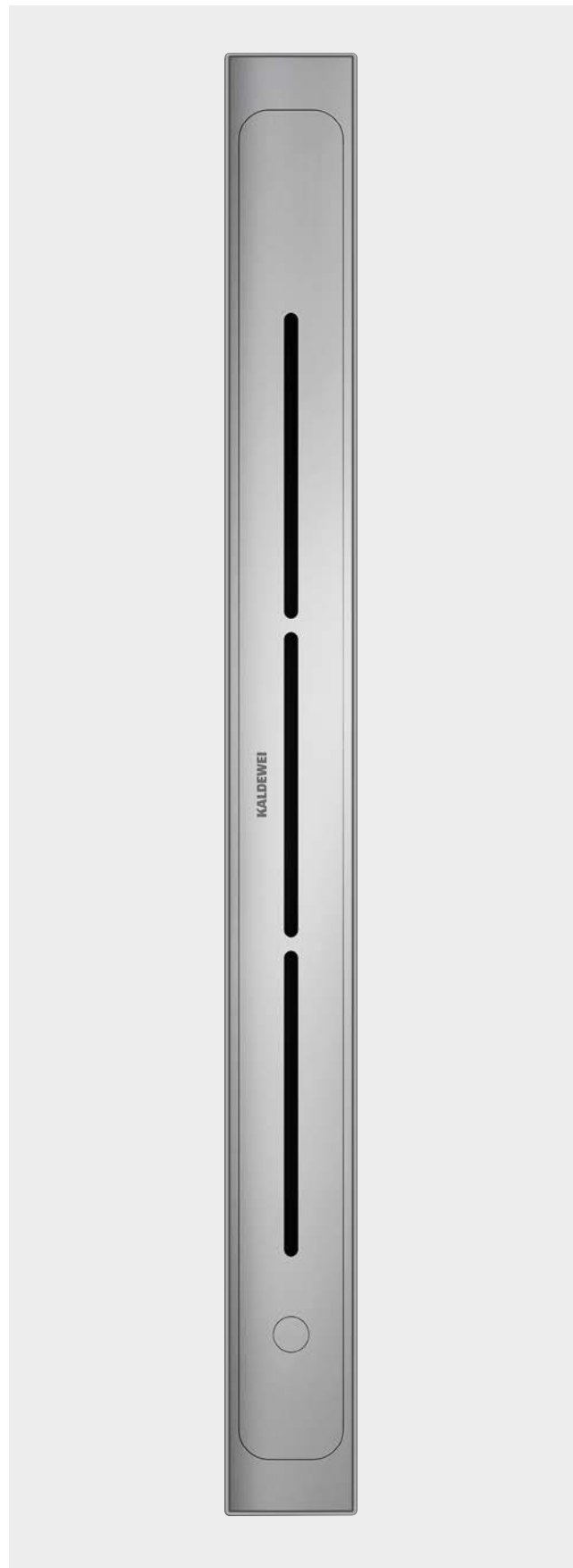
- 3P – Heat exchanger with 3 copper pipes
- 5P – Heat exchanger with 5 copper pipes

LENGTH 800 MM

PRICE ON REQUEST

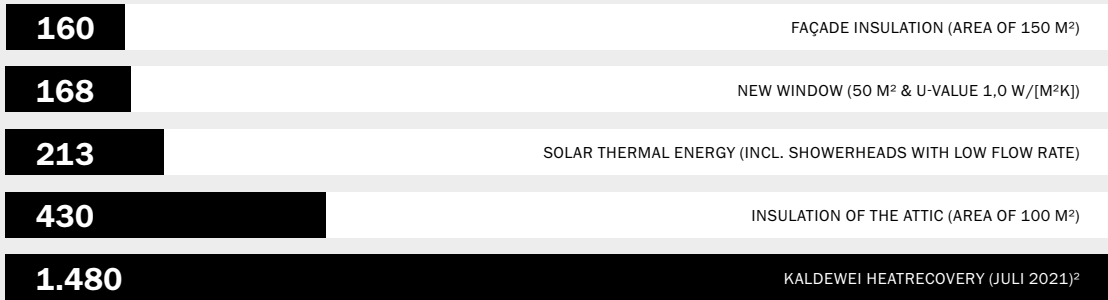
LENGTH 1,100 MM

PRICE ON REQUEST



EXTREME PERFORMANCE:

ANNUAL ENERGY SAVING IN KWH/YEAR PER € 1,000 INVESTMENT¹



1 Source: www.energie.ch/gebaeude
 2 KIWA measurements, 4 pers. 365 x 8.7min with 12.5l/min, layout B

3 Example calculation based on a 4-person household in the case of electric water heating with an electric flow heater using a KALDEWEI FlowLine HEATRECOVERY 5P. Assumed average showering time 8.7 minutes per person. With 326 showers taken per year and energy costs of € 0.40 per kWh with 9.2 litres water consumption per minute. Purchase costs excluding assembly costs.

WHAT A 4-PERSON HOUSEHOLD CAN SAVE³:

The purchasing costs, for instance, for a KALDEWEI FlowLine HEATRECOVERY 5P can be paid back in 3 years through the energy saving alone.³

THE SAVING ...

- ... is equivalent to 131,100 operating hours of an energy saving lamp.
- ... driving 10,488 kilometres in an electric car.
- ... or 3.3 journeys from Frankfurt to the North Cape.



HOW IT WORKS ...
[HTTPS://QRCO.DE/BDLFG5](https://qrc0.de/bdlfg5)

DESIGN PANEL WITH KALDEWEI CLICK'N CLEAN OPENING MECHANISM



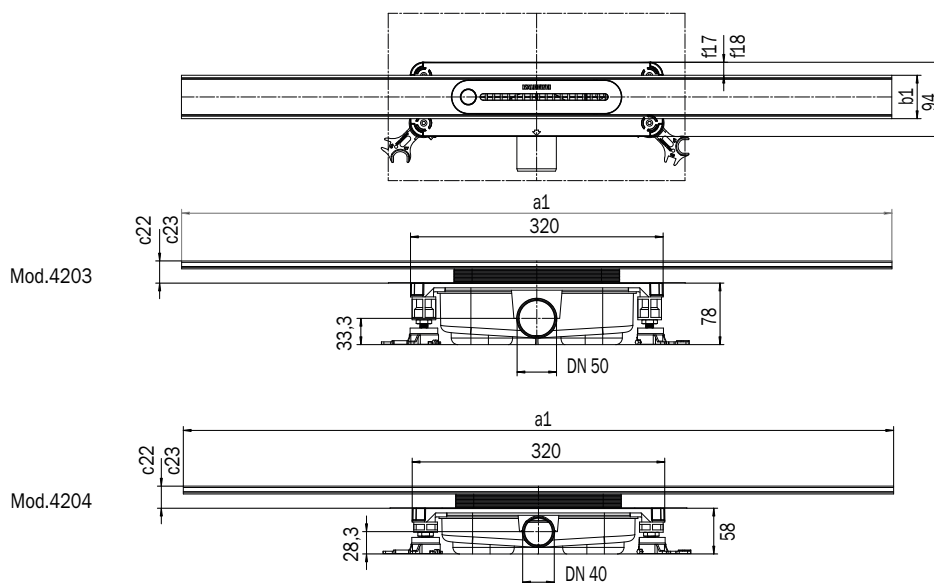
FLOWLINE ZERO

- Timeless design made of high-quality stainless steel
- Quick and easy cleaning with the KALDEWEI CLICK'N CLEAN® opening mechanism
- Individual installation by means of easy adjustment of the standard lengths 900 mm, 1,200 mm and 1,500 mm
- Floor-side overall installation height (tile, tile adhesive, sealing) of 11 mm to 28 mm, also suitable for seamless floors
- Positioning in front of the wall as well as directly on the wall is possible for wall-side overall installation height (silicone, tile, tile adhesive, sealing) of 14 mm to 20 mm
- Incl. height adjustment pieces that can be shortened for flexible adjustment of the floor-side overall installation height
- Perfectly matched to all FLOWDRAIN HORIZONTAL waste fitting complete sets



Similar illustration

	FARBPREISGRUPPE (I)	BRUSHED STEEL	FARBPREISGRUPPE (II)	BRUSHED CHAMPAGNE	BRUSHED GRAPHITE	FARBPREISGRUPPE (IV)	BLACK MATT 100	ALPINE WHITE MATT
FLOWLINE ZERO		930		931	932		676	711



Fitting height	Model	FLOWDRAIN HORIZONTAL REGULAR 4203 max.	FLOWDRAIN HORIZONTAL REGULAR 4203 min.	FLOWDRAIN HORIZONTAL FLAT 4204 max.	FLOWDRAIN HORIZONTAL FLAT 4204 min.
	2400	179	78	78	58
	2401	179	78	78	58
	2402	179	78	78	58

Model	External length [mm]	External width [mm]	Tile installation height min.	Tile installation height max.	Distance to the wall min.	Distance to the wall max.
	a ₁	b ₁	c ₂₂	c ₂₃	f ₁₇	f ₁₈
2400	900	55	11	28	14	20
2401	1200	55	11	28	14	20
2402	1500	55	11	28	14	20

	Model	Order No.	Dimensions (mm)	Steel (I)	Champaign, Graphite (II, III)	Alpine white matt, Black matt 100 (IV)	EUR
FLOWLINE ZERO 900 incl. CLICK'N CLEAN® opening mechanism	2400	9400 0001 0xxx	900 x 55	461.00	830.00	632.00	
FLOWLINE ZERO 1200 incl. CLICK'N CLEAN® opening mechanism	2401	9401 0001 0xxx	1200 x 55	557.00	1,066.00	755.00	
FLOWLINE ZERO 1500 incl. CLICK'N CLEAN® opening mechanism	2402	9402 0001 0xxx	1500 x 55	755.00	1,743.00	1,293.00	

REQUIRED:

OUTFLOW TECHNOLOGY•¹

	Model	Order No.	Price	Alpine White (I)	Sanitary Colours (II, III)	Coord. Colours (IV)
FLOWDRAIN HORIZONTAL REGULAR Drain set incl. extensions for foot unit with ISK key for height adjustment, floor fixing, sound insulation strip and construction time protection	4203	6877 4480 0000	270.00			
FLOWDRAIN HORIZONTAL FLAT Drain set incl. ISK key for height adjustment of the foot unit, floor fixing, sound insulation strip and construction time protection	4204	6877 4481 0000	270.00			

OUTFLOW TECHNOLOGY

FLOWDRAIN HORIZONTAL



FLOWDRAIN HORIZONTAL
REGULAR



FLOWDRAIN HORIZONTAL
FLAT

FLOWDRAIN HORIZONTAL REGULAR

- Easy and quick installation, sealing and sound insulation thanks to the All-in-One set including all accessories
- Easy-to-remove siphon for trouble-free cleaning
- Low installation height: DN50 with installation heights from 78 mm to 179 mm
- Drainage capacity compliant with DIN EN 1253 (> 0.8l/s)
- Perfectly matched to all FLOWLINE ZERO shower channels

FLOWDRAIN HORIZONTAL FLAT

- Easy and quick installation, sealing and sound insulation thanks to the All-in-One set including all accessories
- Easy-to-remove siphon for trouble-free cleaning
- Low installation height: DN40 with installation heights from 58 mm to 78 mm
- Drainage capacity compliant with DIN EN 1253 (> 0.6l/s)
- Perfectly matched to all FLOWLINE ZERO shower channels

	Model	Order No.	Price	Alpine White (I)	Sanitary Colours (II, III)	EUR Coord. Colours (IV)
FLOWDRAIN HORIZONTAL REGULAR Drain set incl. extensions for foot unit with ISK key for height adjustment, floor fixing, sound insulation strip and construction time protection	4203	687744800000	• 270.00			
FLOWDRAIN HORIZONTAL FLAT Drain set incl. ISK key for height adjustment of the foot unit, floor fixing, sound insulation strip and construction time protection	4204	687744810000	• 270.00			



WASHBASINS

At KALDEWEI you will find the right washbasin made of sustainable steel enamel for your bathroom. Choose from a variety of sizes and colours. Whether a standing washbasin, counter-top washbasin, under-counter washbasin, wall-hung washbasin, hand washbasin for the guest toilet, built-in washbasin, double washbasin or washstand bowl: KALDEWEI is your brand for first-class quality and style. With the washbasins from KALDEWEI, a completely new level of comfort will be part of your bathroom. Fascinating in shape by means of iconic design, superior in material.

OUR PRODUCT ADVANTAGES:

- Made in Germany since 1918
- Brilliant shine
- Steel enamel is plastic-free
- Especially stable with low weight
- Steel enamel is heated quickly by water
- Especially sustainable and recyclable
- 30 year manufacturer guarantee*

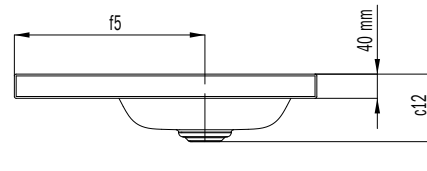
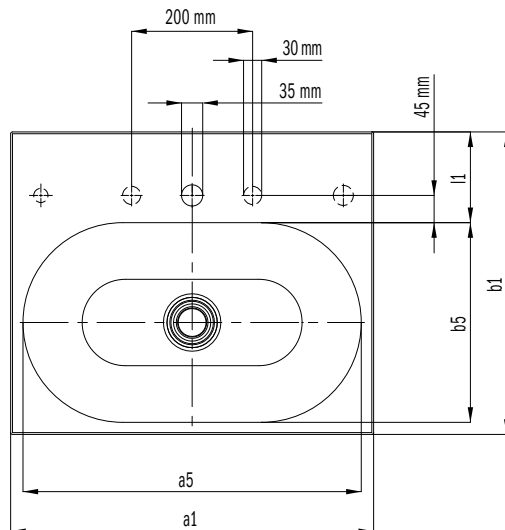
CENTRO COUNTERTOP WASHBASIN

- Combination of purism and sleek elegance
- Luxurious appearance – fits perfectly into modern and traditional bathroom design
- Based on the basic idea of a circle that can be found in the perfectly integrated enamelled waste
- Matching counterpart in the washing area for the CENTRO DUO bath
- Generous space to put things offers plenty of space for individual accessories
- Designed by Anke Salomon



Similar illustration

	ALPINE WHITE	BAHAMABEIGE	MANHATTAN	PERGAMON	BLACK	COORDINATED COLOURS	ALPINE WHITE MATT	WARM BEIGE 20	WARM BEIGE 40	WARM GREY 10	WARM GREY 30	WARM GREY 50	WARM GREY 60	WARM GREY 70	WARM GREY 80	WARM GREY 85	WARM GREY 90	COOL GREY 30	COOL GREY 40	COOL GREY 70	COOL GREY 80	COOL GREY 90	BLACK MATT 100
CENTRO	001	030	199	231	701		711	661		668			671					663		665		667	676



Model	External length [mm]	Internal length [mm]	External width [mm]	Internal width [mm]	Distance basin surface to bottom edge of waste hole [mm]	External diameter [mm]	Inner diameter top [mm]	Outer diameter bottom	Distance rear edge to centre of waste hole [mm]	Depth of tap deck [mm]	External distance of fixing holes [mm]	Internal distance of fixing holes [mm]	Net weight [kg]
	a_1	a_5	b_1	b_5	c_{12}	d_7	d_8	d_9	f_5	l_1	n_1	n_2	
3055	600	559	500	330	112	-	-	-	315	150	-	-	8
3056	900	859	500	330	112	-	-	-	315	150	-	-	11

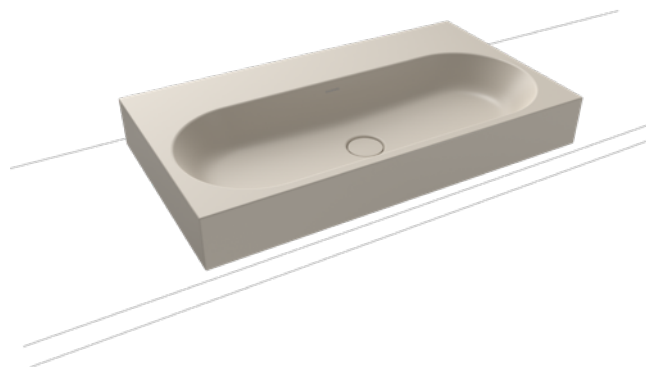
	Model	Order No.	Dimensions (mm)	Alpine White (I)	Sanitary Colours (II, III)	EUR Coord. Colours (IV)
CENTRO COUNTERTOP WASHBASIN (RIM HEIGHT 40MM) with 1 x 1 tap hole including easy-clean finish and sound insu- lation enamelled on both sides without overflow	3055	9028 06013 xxx	600 x 500 x 40	787.00	1,021.00	1,021.00
	3056	9029 06013 xxx	900 x 500 x 40	1,086.00	1,412.00	1,412.00
without tap hole		xxxx 0600 xxxx		without extra charge	without extra charge	without extra charge
1 x 3 tap holes		xxxx 0603 xxxx		without extra charge	without extra charge	without extra charge

REQUIRED: ACCESSORY•¹	Model	Order No.	Price	Alpine White (I)	Sanitary Colours (II, III)	EUR Coord. Colours (IV)
Free-flow waste round, enamelled cover	3904	9058 0000 xxxx		79.50	86.50	86.50
CLOU waste and overflow valve for eccen- tric actuation round, enamelled cover, for fittings with cable operation	3900	9053 0000 xxxx		114.50	125.50	125.50

OPTIONAL: ACCESSORY•¹	Model	Order No.	Price	Alpine White (I)	Sanitary Colours (II, III)	EUR Coord. Colours (IV)
Designer bottle trap	3908	9057 0000 0999	175.50			
Built-in soap dispenser	3916	9106 0001 0999	135.00			
Hair catcher suitable for free-flow waste model 3904 and model 3905	3912	9104 0000 0001	4.40			

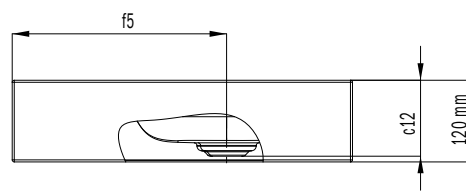
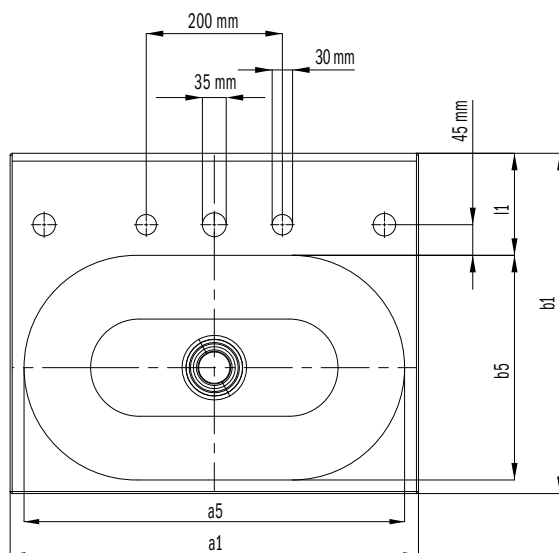
CENTRO COUNTERTOP WASHBASIN

- Combination of purism and sleek elegance
- Luxurious appearance – fits perfectly into modern and traditional bathroom design
- Based on the basic idea of a circle that can be found in the perfectly integrated enamelled waste
- Matching counterpart in the washing area for the CENTRO DUO bath
- Generous space to put things offers plenty of space for individual accessories
- Designed by Anke Salomon



Similar illustration

CENTRO	ALPINE WHITE	SANITARY COLOURS				COORDINATED COLOURS																	
	001	BAHAMABEIGE 030	MANHATTAN 199	PERGAMON 231	BLACK 701	ALPINE WHITE MATT 711	WARM BEIGE 20 661	WARM BEIGE 40 668	WARM GREY 10 671	WARM GREY 30	WARM GREY 50	WARM GREY 60	WARM GREY 70	WARM GREY 80	WARM GREY 85	WARM GREY 90	COOL GREY 30 663	COOL GREY 40 665	COOL GREY 70 667	COOL GREY 80 676	COOL GREY 90	BLACK MATT 100	



Model	External length [mm]	Internal length [mm]	External width [mm]	Internal width [mm]	Distance basin surface to bottom edge of waste hole [mm]	External diameter [mm]	Inner diameter top [mm]	Outer diameter bottom	Distance rear edge to centre of waste hole [mm]	Depth of tap deck [mm]	External distance of fixing holes [mm]	Internal distance of fixing holes [mm]	Net weight [kg]
	a_1	a_5	b_1	b_5	c_{12}	d_7	d_8	d_9	f_5	l_1	n_1	n_2	
3057	600	559	500	330	112	-	-	-	315	150	-	-	13
3058	900	859	500	330	112	-	-	-	315	150	-	-	18

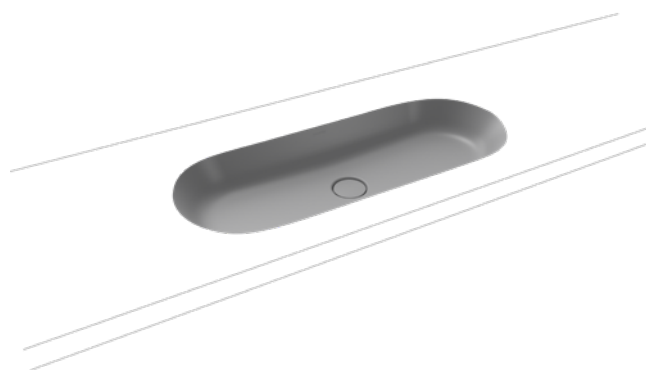
	Model	Order No.	Dimensions (mm)	Alpine White (I)	Sanitary Colours (II, III)	Coord. Colours (IV)	EUR
CENTRO COUNTERTOP WASHBASIN (RIM HEIGHT 120 MM) with 1 x 1 tap hole including easy-clean finish and sound insulation enamelled on both sides without overflow	3057	9030 06013 xxx	600 x 500 x 120	787.00	1,021.00		1,021.00
	3058	9031 06013 xxx	900 x 500 x 120	1,086.00	1,412.00		1,412.00
without tap hole		xxxx 0600 xxxx		without extra charge	without extra charge		without extra charge
1 x 3 tap holes		xxxx 0603 xxxx		without extra charge	without extra charge		without extra charge

REQUIRED: ACCESSORY•¹	Model	Order No.	Price	Alpine White (I)	Sanitary Colours (II, III)	Coord. Colours (IV)
Free-flow waste round, enamelled cover	3904	9058 0000 xxxx		79.50	86.50	86.50
CLOU waste and overflow valve for eccentric actuation round, enamelled cover, for fittings with cable operation	3900	9053 0000 xxxx		114.50	125.50	125.50

OPTIONAL: ACCESSORY•¹	Model	Order No.	Price	Alpine White (I)	Sanitary Colours (II, III)	Coord. Colours (IV)
Designer bottle trap	3908	9057 0000 0999	175.50			
Built-in soap dispenser	3916	9106 0001 0999	135.00			
Hair catcher suitable for free-flow waste model 3904 and model 3905	3912	9104 0000 0001	4.40			

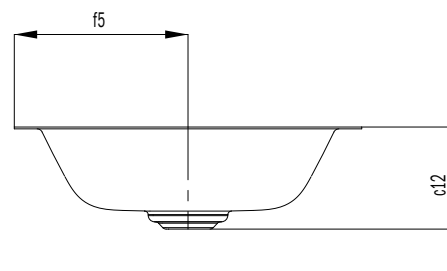
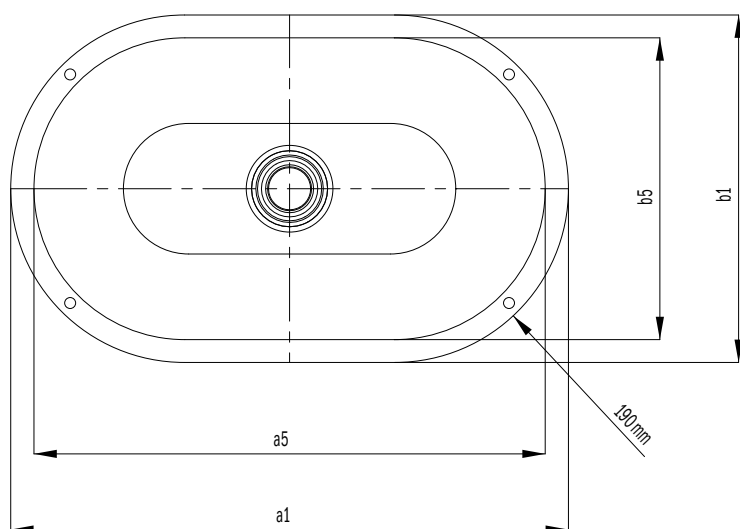
CENTRO UNDERCOUNTER WASHBASIN

- Combination of purism and sleek elegance
- Luxurious appearance – fits perfectly into modern and traditional bathroom design
- Based on the basic idea of a circle that can be found in the perfectly integrated enamelled waste
- Matching counterpart in the washing area for the CENTRO DUO bath
- Designed by Anke Salomon



Similar illustration

	ALPINE WHITE	SANITARY COLOURS				ALPINE WHITE MATT	WARM BEIGE 20	WARM BEIGE 40	WARM GREY 10	WARM GREY 30	WARM GREY 50	WARM GREY 60	WARM GREY 70	WARM GREY 80	WARM GREY 85	WARM GREY 90	COOL GREY 30	COOL GREY 40	COOL GREY 70	COOL GREY 80	COOL GREY 90	BLACK MATT 100
CENTRO	001	030	199	231	701	711	661	668			671						663		665		667	676



Model	External length [mm]	Internal length [mm]	External width [mm]	Internal width [mm]	Distance basin surface to bottom edge of waste hole [mm]	External diameter [mm]	Inner diameter top [mm]	Outer diameter bottom	Distance rear edge to centre of waste hole [mm]	Depth of tap deck [mm]	External distance of fixing holes [mm]	Internal distance of fixing holes [mm]	Net weight [kg]
	a_1	a_5	b_1	b_5	c_{12}	d_7	d_8	d_9	f_5	l_1	n_1	n_2	
3059	610	559	380	330	112	-	-	-	190	-	-	-	7
3060	910	859	380	330	112	-	-	-	190	-	-	-	9

	Model	Order No.	Dimensions (mm)	Alpine White (I)	Sanitary Colours (II, III)	Coord. Colours (IV)	EUR
CENTRO UNDERCOUNTER WASHBASIN	3059	9032 0600 3xxx	610 x 380	708.00	920.00		920.00
including easy-clean finish and sound insulation, enamelled on both sides, without overflow	3060	9033 0600 3xxx	910 x 380	978.00	1,271.00		1,271.00

	Model	Order No.	Price	Alpine White (I)	Sanitary Colours (II, III)	Coord. Colours (IV)
REQUIRED: ACCESSORY•¹						
Free-flow waste	3904	9058 0000 xxxx		79.50	86.50	86.50
round, enamelled cover						
CLOU waste and overflow valve for eccentric actuation	3900	9053 0000 xxxx		114.50	125.50	125.50
round, enamelled cover, for fittings with cable operation						

	Model	Order No.	Price	Alpine White (I)	Sanitary Colours (II, III)	Coord. Colours (IV)
OPTIONAL: ACCESSORY•¹						
Designer bottle trap	3908	9057 0000 0999	175.50			
Hair catcher	3912	9104 0000 0001	4.40			
suitable for free-flow waste model 3904 and model 3905						

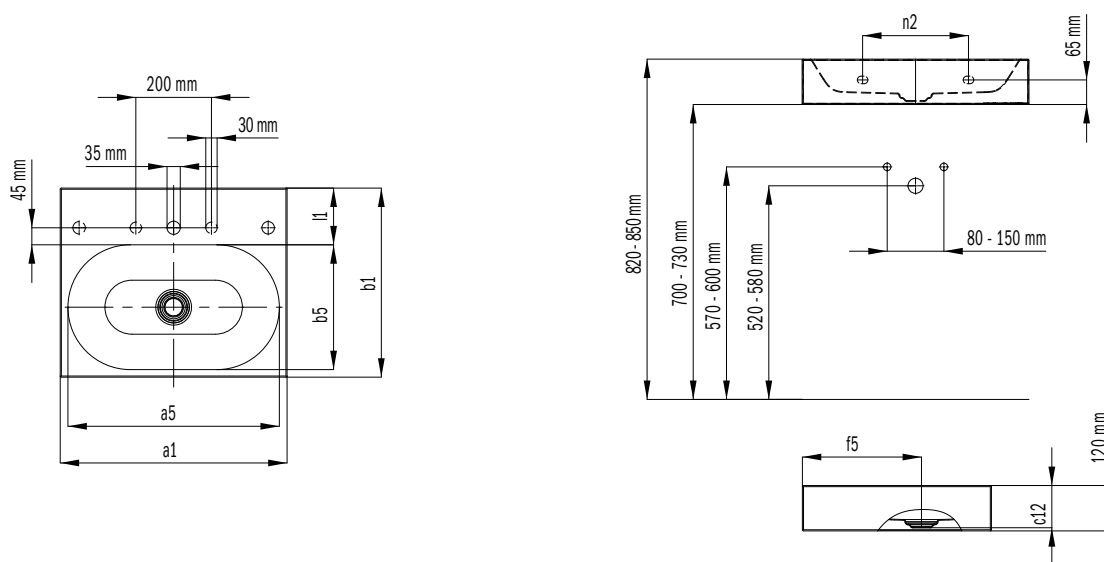
CENTRO WALL-HUNG WASHBASIN

- Combination of purism and sleek elegance
- Luxurious appearance – fits perfectly into modern and traditional bathroom design
- Based on the basic idea of a circle that can be found in the perfectly integrated enamelled waste
- Matching counterpart in the washing area for the CENTRO DUO bath
- Generous space to put things offers plenty of space for individual accessories
- Designed by Anke Salomon



Similar illustration

	ALPINE WHITE	SANITARY COLOURS				COORDINATED COLOURS	ALPINE WHITE MATT	WARM BEIGE 20	WARM BEIGE 40	WARM GREY 10	WARM GREY 30	WARM GREY 50	WARM GREY 60	WARM GREY 70	WARM GREY 80	WARM GREY 85	WARM GREY 90	COOL GREY 30	COOL GREY 40	COOL GREY 70	COOL GREY 80	COOL GREY 90	BLACK MATT 100
CENTRO	001	030	199	231	701	711	661		668				671					663		665		667	676



Model	External length [mm]	Internal length [mm]	External width [mm]	Internal width [mm]	Distance basin surface to bottom edge of waste hole [mm]	External diameter [mm]	Inner diameter top [mm]	Outer diameter bottom	Distance rear edge to centre of waste hole [mm]	Depth of tap deck [mm]	External distance of fixing holes [mm]	Internal distance of fixing holes [mm]	Net weight [kg]
	a_1	a_5	b_1	b_5	c_{12}	d_7	d_8	d_9	f_5	l_1	n_1	n_2	
3061	600	559	500	330	112	-	-	-	315	150		280	13
3062	900	859	500	330	112	-	-	-	315	150	780	280	18

	Model	Order No.	Dimensions (mm)	Alpine White (I)	Sanitary Colours (II, III)	Coord. Colours (IV)	EUR
CENTRO WALL-HUNG WASHBASIN	3061	9034 06013 xxx	600 x 500 x 120	787.00	1,021.00	1,021.00	
with 1 x 1 tap hole including easy-clean finish, sound insulation and wall decoupling strip enamelled on both sides without overflow	3062	9035 06013 xxx	900 x 500 x 120	1,086.00	1,412.00	1,412.00	
without tap hole		xxxx 0600 xxxx		without extra charge	without extra charge	without extra charge	
1 x 3 tap holes		xxxx 0603 xxxx		without extra charge	without extra charge	without extra charge	

REQUIRED: ACCESSORY•¹	Model	Order No.	Price	Alpine White (I)	Sanitary Colours (II, III)	Coord. Colours (IV)
Free-flow waste round, enamelled cover	3904	9058 0000 xxxx		79.50	86.50	86.50
CLOU waste and overflow valve for eccentric actuation round, enamelled cover, for fittings with cable operation	3900	9053 0000 xxxx		114.50	125.50	125.50

OPTIONAL: ACCESSORY•¹	Model	Order No.	Price	Alpine White (I)	Sanitary Colours (II, III)	Coord. Colours (IV)
Designer bottle trap	3908	9057 0000 0999	175.50			
Built-in soap dispenser	3916	9106 0001 0999	135.00			
Hair catcher suitable for free-flow waste model 3904 and model 3905	3912	9104 0000 0001	4.40			

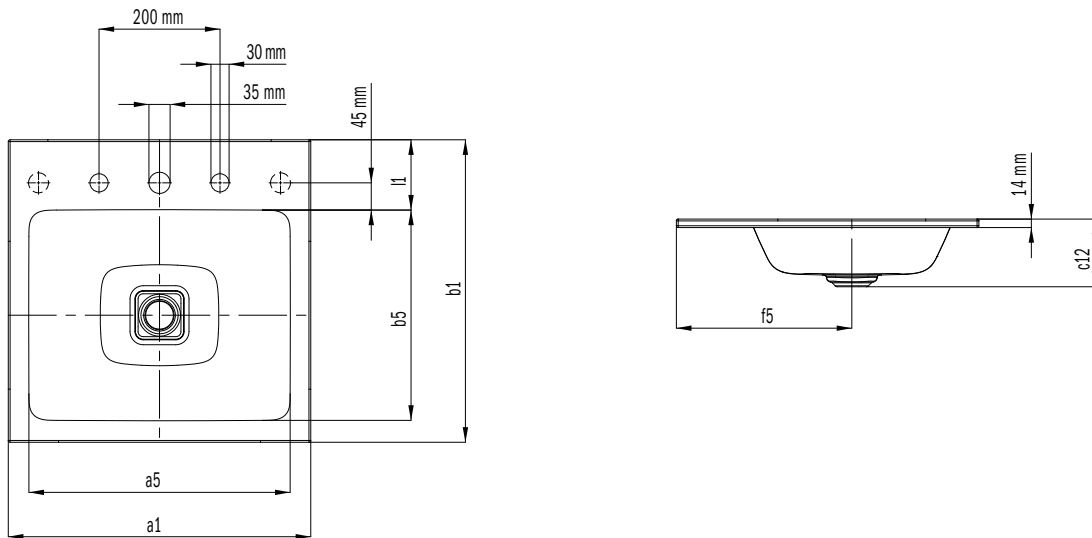
CONO BUILT-IN WASHBASIN

- Harmonious washbasin with a premium character
- Enamelled waste integrated optimally to round off the geometric appearance perfectly
- The perfect addition to the CONO family
- Extremely generous space for fittings and individual accessories



Similar illustration

	ALPINE WHITE	SANITARY COLOURS				COORDINATED COLOURS	ALPINE WHITE MATT	WARM BEIGE 20	WARM BEIGE 40	WARM GREY 10	WARM GREY 30	WARM GREY 50	WARM GREY 60	WARM GREY 70	WARM GREY 80	WARM GREY 85	WARM GREY 90	COOL GREY 30	COOL GREY 40	COOL GREY 70	COOL GREY 80	COOL GREY 90	BLACK MATT 100
CONO	001	030	199	231	701	711	661		668			671						663		665		667	676



Model	External length [mm]	Internal length [mm]	External width [mm]	Internal width [mm]	Distance basin surface to bottom edge of waste hole [mm]	External diameter [mm]	Inner diameter top [mm]	Outer diameter bottom	Distance rear edge to centre of waste hole [mm]	Depth of tap deck [mm]	External distance of fixing holes [mm]	Internal distance of fixing holes [mm]	Net weight [kg]
	a ₁	a ₅	b ₁	b ₅	c ₁₂	d ₇	d ₈	d ₉	f ₅	l ₁	n ₁	n ₂	
3075	500	432	500	348	112	-	-	-	290	116	-	-	7
3080	600	532	500	348	112	-	-	-	290	116	-	-	7
3081	900	832	500	348	112	-	-	-	290	116			10
3082	1200	1128	500	343	112	-	-	-	290	116			14

	Model	Order No.	Dimensions (mm)	Alpine White (I)	Sanitary Colours (II, III)	Coord. Colours (IV)	EUR
CONO BUILT-IN WASHBASIN	3075	9082 06013 xxx	500 x 500 x 14	591.00	767.00		767.00
with 1 x 1 tap hole	3080	9016 06013 xxx	600 x 500 x 14	746.00	969.00		969.00
including easy-clean finish and sound insulation	3081	9017 06013 xxx	900 x 500 x 14	1,025.00	1,331.00		1,331.00
enamelled on both sides	3082	9018 06013 xxx	1200 x 500 x 14	1,215.00	1,581.00		1,581.00
without overflow							
without tap hole		xxxx 0600 xxxx		without extra charge	without extra charge		without extra charge
1 x 3 tap holes		xxxx 0603 xxxx		without extra charge	without extra charge		without extra charge

REQUIRED: ACCESSORY^{•1}	Model	Order No.	Price	Alpine White (I)	Sanitary Colours (II, III)	Coord. Colours (IV)
Free-flow waste square, enamelled cover	3905	9059 0000 xxxx		79.50	86.50	86.50
CLOU waste and overflow valve for eccentric actuation square, enamelled cover, for fittings with lever operation	3901	9054 0000 xxxx		114.50	125.50	125.50

OPTIONAL: ACCESSORY^{•1}	Model	Order No.	Price	Alpine White (I)	Sanitary Colours (II, III)	Coord. Colours (IV)
Designer bottle trap	3908	9057 0000 0999	175.50			
Built-in soap dispenser	3916	9106 0001 0999	135.00			
Hair catcher suitable for free-flow waste model 3904 and model 3905	3912	9104 0000 0001	4.40			

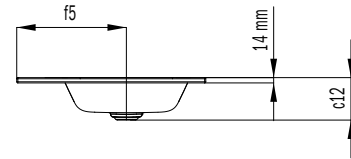
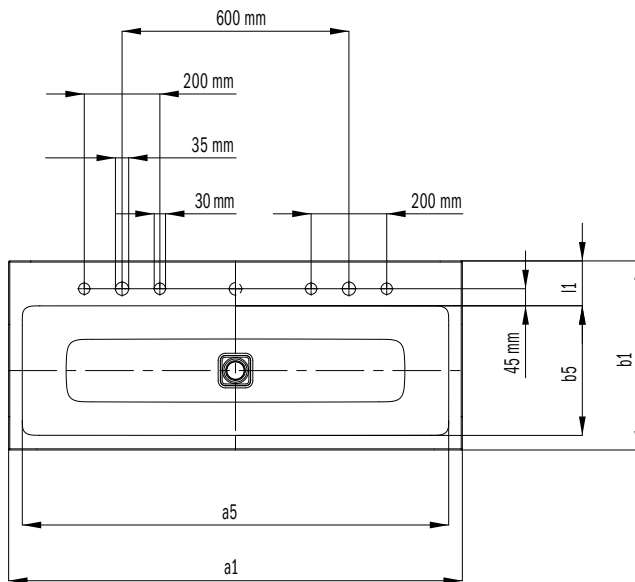
CONO BUILT-IN DOUBLE WASHBASIN

- Harmonious washbasin with a premium character
- Enamelled waste integrated optimally to round off the geometric appearance perfectly
- The perfect addition to the CONO family
- Extremely generous space for fittings and individual accessories



Similar illustration

	ALPINE WHITE		BAHAMABEIGE		MANHATTAN		PERGAMON		BLACK		COORDINATED COLOURS	ALPINE WHITE MATT	WARM BEIGE 20	WARM BEIGE 40	WARM GREY 10	WARM GREY 30	WARM GREY 50	WARM GREY 60	WARM GREY 70	WARM GREY 80	WARM GREY 85	WARM GREY 90	COOL GREY 30	COOL GREY 40	COOL GREY 70	COOL GREY 80	COOL GREY 90	BLACK MATT 100
CONO	001	SANITARY COLOURS	030	199	231	701					711	661			668			671					663		665		667	676



Model	External length [mm]	Internal length [mm]	External width [mm]	Internal width [mm]	Distance basin surface to bottom edge of waste hole [mm]	External diameter [mm]	Inner diameter top [mm]	Outer diameter bottom	Distance rear edge to centre of waste hole [mm]	Depth of tap deck [mm]	External distance of fixing holes [mm]	Internal distance of fixing holes [mm]	Net weight [kg]
	a_1	a_5	b_1	b_5	$c_{1,2}$	d_7	d_8	d_9	f_5	l_1	n_1	n_2	
3082	1200	1128	500	343	112	-	-	-	290	116	-	-	14

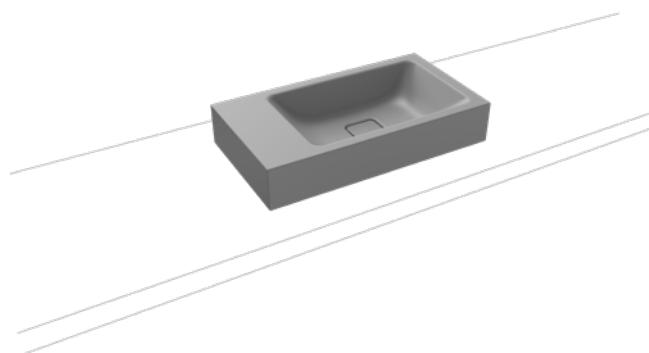
	Model	Order No.	Dimensions (mm)	Alpine White (I)	Sanitary Colours (II, III)	Coord. Colours (IV)	EUR
CONO BUILT-IN DOUBLE WASHBASIN with 2 x 1 tap hole including easy-clean finish and sound insulation enamelled on both sides without overflow	3082-D	9018 0604 3xxx	1200 x 500 x 14	1,215.00	1,581.00	1,581.00	
2 x 3 tap holes		xxxx 0605 xxxx		without extra charge	without extra charge	without extra charge	

REQUIRED: ACCESSORY•¹	Model	Order No.	Price	Alpine White (I)	Sanitary Colours (II, III)	Coord. Colours (IV)
Free-flow waste square, enamelled cover	3905	9059 0000 xxxx		79.50	86.50	86.50

OPTIONAL: ACCESSORY•¹	Model	Order No.	Price	Alpine White (I)	Sanitary Colours (II, III)	Coord. Colours (IV)
Designer bottle trap	3908	9057 0000 0999	175.50			
Built-in soap dispenser	3916	9106 0001 0999	135.00			
Hair catcher suitable for free-flow waste model 3904 and model 3905	3912	9104 0000 0001	4.40			

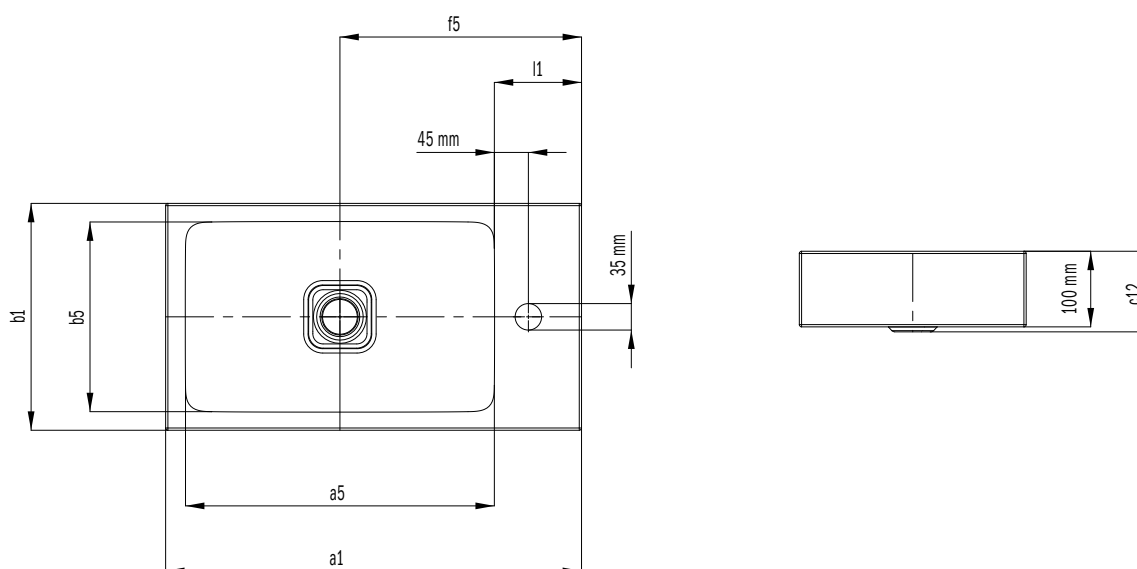
CONO COUNTERTOP WASHBASIN

- Harmonious washbasin with a premium character
- Enamelled waste integrated optimally to round off the geometric appearance perfectly
- The perfect addition to the CONO family



Similar illustration

	ALPINE WHITE		BAHAMABEIGE	MANHATTAN	PERGAMON	BLACK	COORDINATED COLOURS	ALPINE WHITE MATT	WARM BEIGE 20	WARM BEIGE 40	WARM GREY 10	WARM GREY 30	WARM GREY 50	WARM GREY 60	WARM GREY 70	WARM GREY 80	WARM GREY 85	WARM GREY 90	COOL GREY 30	COOL GREY 40	COOL GREY 70	COOL GREY 80	COOL GREY 90	BLACK MATT 100
CONO	001	SANITARY COLOURS	030	199	231	701		711	661		668			671					663		665		667	676



Model	External length [mm]	Internal length [mm]	External width [mm]	Internal width [mm]	Distance basin surface to bottom edge of waste hole [mm]	External diameter [mm]	Inner diameter top [mm]	Outer diameter bottom	Distance rear edge to centre of waste hole [mm]	Depth of tap deck [mm]	External distance of fixing holes [mm]	Internal distance of fixing holes [mm]	Net weight [kg]
	a_1	a_5	b_1	b_5	$c_{1,2}$	d_7	d_8	d_9	f_5	l_1	n_1	n_2	
3074	550	409	300	251	102	-	-	-	320	116	-	-	8

	Model	Order No.	Dimensions (mm)	Alpine White (I)	Sanitary Colours (II, III)	Coord. Colours (IV)	EUR
CONO COUNTERTOP WASHBASIN	3074	9081 0601 3xxx	550 x 300 x 100	549.00	713.00	713.00	
with 1 x 1 tap hole tap hole platform can be positioned either left or right including easy-clean finish and sound insu- lation enamelled on both sides without overflow							
without tap hole		xxxx 0600 xxxx		without extra charge	without extra charge	without extra charge	

REQUIRED: ACCESSORY^{•1}	Model	Order No.	Price	Alpine White (I)	Sanitary Colours (II, III)	Coord. Colours (IV)	
Free-flow waste	3905	9059 0000 xxxx		79.50	86.50	86.50	
square, enamelled cover							

OPTIONAL: ACCESSORY^{•1}	Model	Order No.	Price	Alpine White (I)	Sanitary Colours (II, III)	Coord. Colours (IV)	
Designer bottle trap	3908	9057 0000 0999	175.50				
Hair catcher	3912	9104 0000 0001	4.40				
suitable for free-flow waste model 3904 and model 3905							

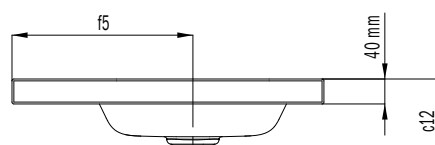
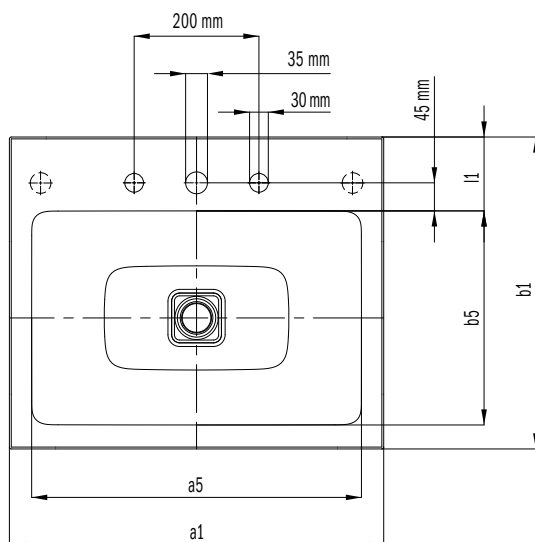
CONO COUNTERTOP WASHBASIN

- Harmonious washbasin with a premium character
- Enamelled waste integrated optimally to round off the geometric appearance perfectly
- The perfect addition to the CONO family
- Extremely generous space for fittings and individual accessories



Similar illustration

	ALPINE WHITE		BAHAMABEIGE		MANHATTAN		PERGAMON		BLACK		COORDINATED COLOURS	ALPINE WHITE MATT	WARM BEIGE 20	WARM BEIGE 40	WARM GREY 10	WARM GREY 30	WARM GREY 50	WARM GREY 60	WARM GREY 70	WARM GREY 80	WARM GREY 85	WARM GREY 90	COOL GREY 30	COOL GREY 40	COOL GREY 70	COOL GREY 80	COOL GREY 90	BLACK MATT 100
CONO	001	SANITARY COLOURS	030	199	231	701						711	661		668			671					663		665		667	676



Model	External length [mm]	Internal length [mm]	External width [mm]	Internal width [mm]	Distance basin surface to bottom edge of waste hole [mm]	External diameter [mm]	Inner diameter top [mm]	Outer diameter bottom	Distance rear edge to centre of waste hole [mm]	Depth of tap deck [mm]	External distance of fixing holes [mm]	Internal distance of fixing holes [mm]	Net weight [kg]
	a ₁	a ₅	b ₁	b ₅	c ₁₂	d ₇	d ₈	d ₉	f ₅	l ₁	n ₁	n ₂	
3076	500	432	500	348	112	-	-	-	290	116	-	-	8
3083	600	532	500	348	112	-	-	-	290	116	-	-	8
3084	900	832	500	348	112	-	-	-	290	116	-	-	13

	Model	Order No.	Dimensions (mm)	Alpine White (I)	Sanitary Colours (II, III)	Coord. Colours (IV)	EUR
CONO COUNTERTOP WASHBASIN (HEIGHT OF RIM 40 MM) with 1 x 1 tap hole including easy-clean finish and sound insulation enamelled on both sides without overflow	3076	9083 06013 xxx	500 x 500 x 40	591.00	767.00		767.00
	3083	9019 06013 xxx	600 x 500 x 40	746.00	969.00		969.00
	3084	9020 06013 xxx	900 x 500 x 40	1,025.00	1,331.00		1,331.00
without tap hole		xxxx 0600 xxxx		without extra charge	without extra charge		without extra charge
1 x 3 tap holes		xxxx 0603 xxxx		without extra charge	without extra charge		without extra charge

REQUIRED: ACCESSORY^{•1}	Model	Order No.	Price	Alpine White (I)	Sanitary Colours (II, III)	Coord. Colours (IV)
Free-flow waste square, enamelled cover	3905	9059 0000 xxxx		79.50	86.50	86.50
CLOU waste and overflow valve for eccentric actuation square, enamelled cover, for fittings with lever operation	3901	9054 0000 xxxx		114.50	125.50	125.50

OPTIONAL: ACCESSORY^{•1}	Model	Order No.	Price	Alpine White (I)	Sanitary Colours (II, III)	Coord. Colours (IV)
Designer bottle trap	3908	9057 0000 0999	175.50			
Built-in soap dispenser	3916	9106 0001 0999	135.00			
Hair catcher suitable for free-flow waste model 3904 and model 3905	3912	9104 0000 0001	4.40			

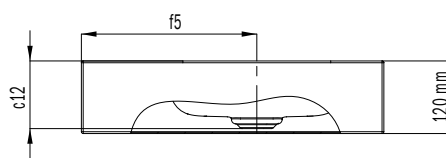
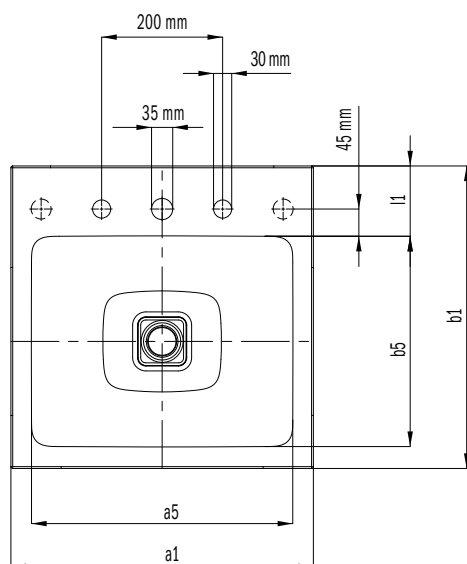
CONO COUNTERTOP WASHBASIN

- Harmonious washbasin with a premium character
- Enamelled waste integrated optimally to round off the geometric appearance perfectly
- The perfect addition to the CONO family
- Extremely generous space for fittings and individual accessories



Similar illustration

CONO	ALPINE WHITE	SANITARY COLOURS	BAHAMABEIGE	MANHATTAN	PERGAMON	BLACK	COORDINATED COLOURS	ALPINE WHITE MATT	WARM BEIGE 20	WARM BEIGE 40	WARM GREY 10	WARM GREY 30	WARM GREY 50	WARM GREY 60	WARM GREY 70	WARM GREY 80	WARM GREY 85	WARM GREY 90	COOL GREY 30	COOL GREY 40	COOL GREY 70	COOL GREY 80	COOL GREY 90	BLACK MATT 100
	001		030	199	231	701		711	661	668	671										663	665	667	676



Model	External length [mm]	Internal length [mm]	External width [mm]	Internal width [mm]	Distance basin surface to bottom edge of waste hole [mm]	External diameter [mm]	Inner diameter top [mm]	Outer diameter bottom	Distance rear edge to centre of waste hole [mm]	Depth of tap deck [mm]	External distance of fixing holes [mm]	Internal distance of fixing holes [mm]	Net weight [kg]
	a ₁	a ₅	b ₁	b ₅	c ₁₂	d ₇	d ₈	d ₉	f ₅	l ₁	n ₁	n ₂	
3077	500	432	500	348	112	-	-	-	290	116	-	-	12
3085	600	532	500	348	112	-	-	-	290	116	-	-	15
3086	900	832	500	348	112	-	-	-	290	116	-	-	18

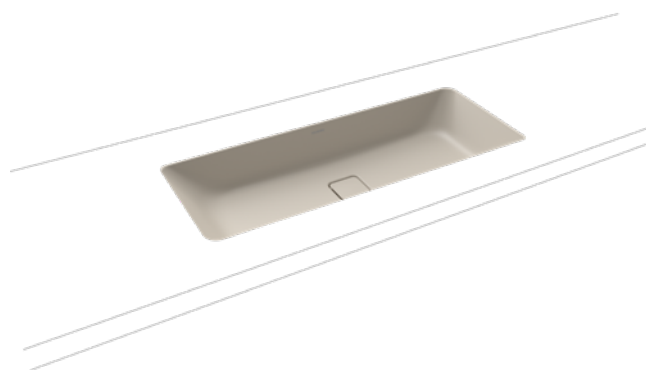
	Model	Order No.	Dimensions (mm)	Alpine White (I)	Sanitary Colours (II, III)	Coord. Colours (IV)	EUR
CONO COUNTERTOP WASHBASIN (HEIGHT OF RIM 120 MM) with 1 x 1 tap hole including easy-clean finish and sound insulation enamelled on both sides without overflow	3077	9084 06013 xxx	500 x 500 x 120	591.00	767.00		767.00
	3085	9021 06013 xxx	600 x 500 x 120	746.00	969.00		969.00
	3086	9022 06013 xxx	900 x 500 x 120	1,025.00	1,331.00		1,331.00
without tap hole		xxxx 0600 xxxx		without extra charge	without extra charge		without extra charge
1 x 3 tap holes		xxxx 0603 xxxx		without extra charge	without extra charge		without extra charge

REQUIRED: ACCESSORY•¹	Model	Order No.	Price	Alpine White (I)	Sanitary Colours (II, III)	Coord. Colours (IV)
Free-flow waste square, enamelled cover	3905	9059 0000 xxxx		79.50	86.50	86.50
CLOU waste and overflow valve for eccentric actuation square, enamelled cover, for fittings with lever operation	3901	9054 0000 xxxx		114.50	125.50	125.50

OPTIONAL: ACCESSORY•¹	Model	Order No.	Price	Alpine White (I)	Sanitary Colours (II, III)	Coord. Colours (IV)
Designer bottle trap	3908	9057 0000 0999	175.50			
Built-in soap dispenser	3916	9106 0001 0999	135.00			
Hair catcher suitable for free-flow waste model 3904 and model 3905	3912	9104 0000 0001	4.40			

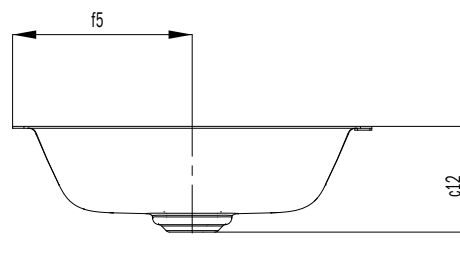
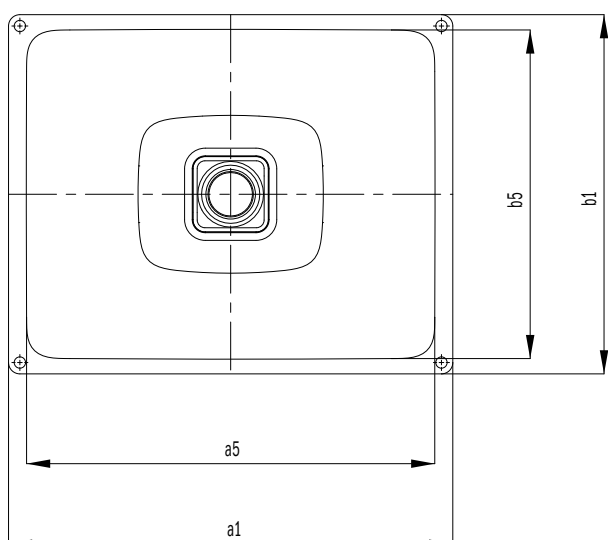
CONO UNDERCOUNTER WASHBASIN

- Harmonious washbasin with a premium character
- Enamelled waste integrated optimally to round off the geometric appearance perfectly
- The perfect addition to the CONO family



Similar illustration

	ALPINE WHITE 001	SANITARY COLOURS	BAHAMABEIGE 030	MANHATTAN 199	PERGAMON 231	BLACK 701	COORDINATED COLOURS	ALPINE WHITE MATT 711	WARM BEIGE 20 661	WARM BEIGE 40 668	WARM GREY 10 671	WARM GREY 30	WARM GREY 50	WARM GREY 60	WARM GREY 70	WARM GREY 80	WARM GREY 85	WARM GREY 90	COOL GREY 30 663	COOL GREY 40 665	COOL GREY 70 667	COOL GREY 80 676	COOL GREY 90 676	BLACK MATT 100
CONO																								



Model	External length [mm]	Internal length [mm]	External width [mm]	Internal width [mm]	Distance basin surface to bottom edge of waste hole [mm]	External diameter [mm]	Inner diameter top [mm]	Outer diameter bottom	Distance rear edge to centre of waste hole [mm]	Depth of tap deck [mm]	External distance of fixing holes [mm]	Internal distance of fixing holes [mm]	Net weight [kg]
	a_1	a_5	b_1	b_5	c_{12}	d_7	d_8	d_9	f_5	l_1	n_1	n_2	
3078	470	432	381	348	112	-	-	-	191	-	-	-	5
3087	569	532	382	348	112	-	-	-	191	-	-	-	7
3088	869	832	382	348	112	-	-	-	191	-	-	-	9

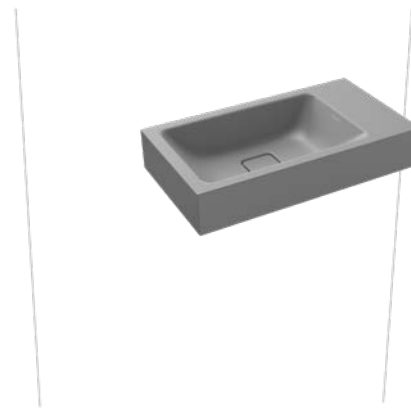
	Model	Order No.	Dimensions (mm)	EUR		
				Alpine White (I)	Sanitary Colours (II, III)	Coord. Colours (IV)
CONO UNDERCOUNTER WASHBASIN	3078	9085 0600 3xxx	470 x 381	558.00	726.00	726.00
including easy-clean finish and sound insulation	3087	9023 0600 3xxx	569 x 382	670.00	872.00	872.00
enamelled on both sides without overflow	3088	9024 0600 3xxx	869 x 382	922.00	1,199.00	1,199.00

REQUIRED: ACCESSORY•¹	Model	Order No.	Price	Alpine White (I)	Sanitary Colours (II, III)	Coord. Colours (IV)
Free-flow waste square, enamelled cover	3905	9059 0000 xxxx		79.50	86.50	86.50
CLOU waste and overflow valve for eccentric actuation square, enamelled cover, for fittings with lever operation	3901	9054 0000 xxxx		114.50	125.50	125.50

OPTIONAL: ACCESSORY•¹	Model	Order No.	Price	Alpine White (I)	Sanitary Colours (II, III)	Coord. Colours (IV)
Designer bottle trap	3908	9057 0000 0999	175.50			
Hair catcher suitable for free-flow waste model 3904 and model 3905	3912	9104 0000 0001	4.40			

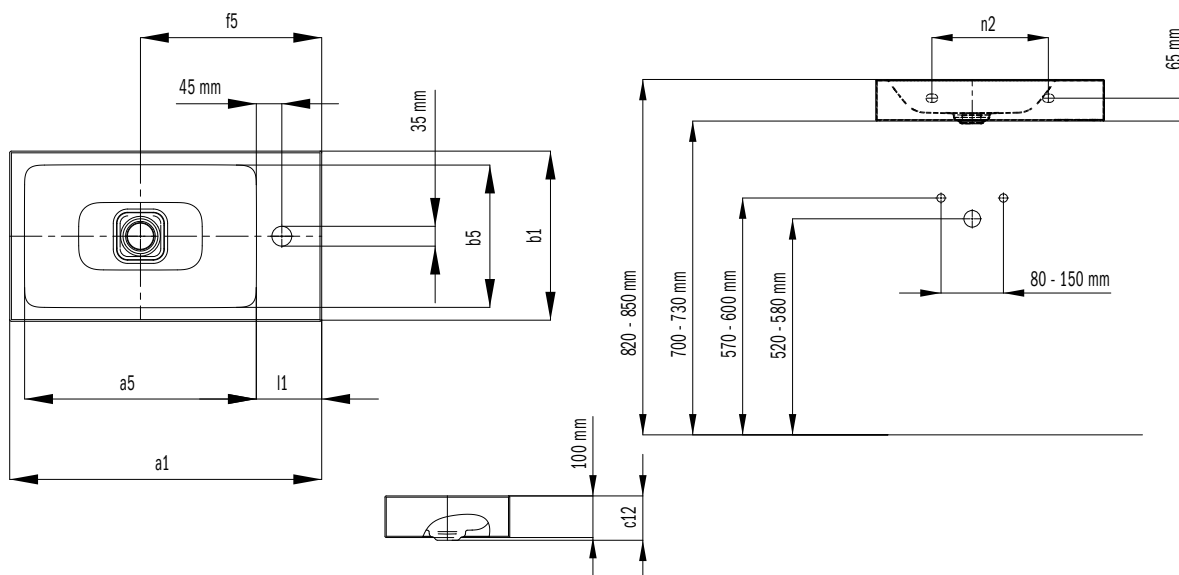
CONO WALL-HUNG WASHBASIN

- Harmonious washbasin with a premium character
- Enamelled waste integrated optimally to round off the geometric appearance perfectly
- The perfect addition to the CONO family



Similar illustration

	ALPINE WHITE	BAHAMABEIGE	MANHATTAN	PERGAMON	BLACK	COORDINATED COLOURS	ALPINE WHITE MATT	WARM BEIGE 20	WARM BEIGE 40	WARM GREY 10	WARM GREY 30	WARM GREY 50	WARM GREY 60	WARM GREY 70	WARM GREY 80	WARM GREY 85	WARM GREY 90	COOL GREY 30	COOL GREY 40	COOL GREY 70	COOL GREY 80	COOL GREY 90	BLACK MATT 100
CONO	001	030	199	231	701		711	661		668			671					663		665		667	676



Model	External length [mm]	Internal length [mm]	External width [mm]	Internal width [mm]	Distance basin surface to bottom edge of waste hole [mm]	External diameter [mm]	Inner diameter top [mm]	Outer diameter bottom	Distance rear edge to centre of waste hole [mm]	Depth of tap deck [mm]	External distance of fixing holes [mm]	Internal distance of fixing holes [mm]	Net weight [kg]
	a_1	a_5	b_1	b_5	c_{12}	d_7	d_8	d_9	f_5	l_1	n_1	n_2	
3073	550	408	300	251	102	-	-	-	320	115	-	280	8

	Model	Order No.	Dimensions (mm)	Alpine White (I)	Sanitary Colours (II, III)	Coord. Colours (IV)	EUR
CONO WALL-HUNG WASHBASIN tap hole platform right with 1 x 1 tap hole including easy-clean finish, sound insulation and wall decoupling strip enamelled on both sides without overflow	3073	9080 06013 xxx	550 x 300 x 100	549.00	713.00	713.00	
without tap hole		xxxx 0600 xxxx		without extra charge	without extra charge	without extra charge	
tap hole ledge left, with 1 x 1 tap hole		xxxx 0639 xxxx		without extra charge	without extra charge	without extra charge	
tap hole ledge left, without tap hole		xxxx 0643 xxxx		without extra charge	without extra charge	without extra charge	

REQUIRED: ACCESSORY^{•1}	Model	Order No.	Price	Alpine White (I)	Sanitary Colours (II, III)	Coord. Colours (IV)
Free-flow waste square, enamelled cover	3905	9059 0000 xxxx		79.50	86.50	86.50

OPTIONAL: ACCESSORY^{•1}	Model	Order No.	Price	Alpine White (I)	Sanitary Colours (II, III)	Coord. Colours (IV)
Designer bottle trap	3908	9057 0000 0999	175.50			
Hair catcher suitable for free-flow waste model 3904 and model 3905	3912	9104 0000 0001	4.40			

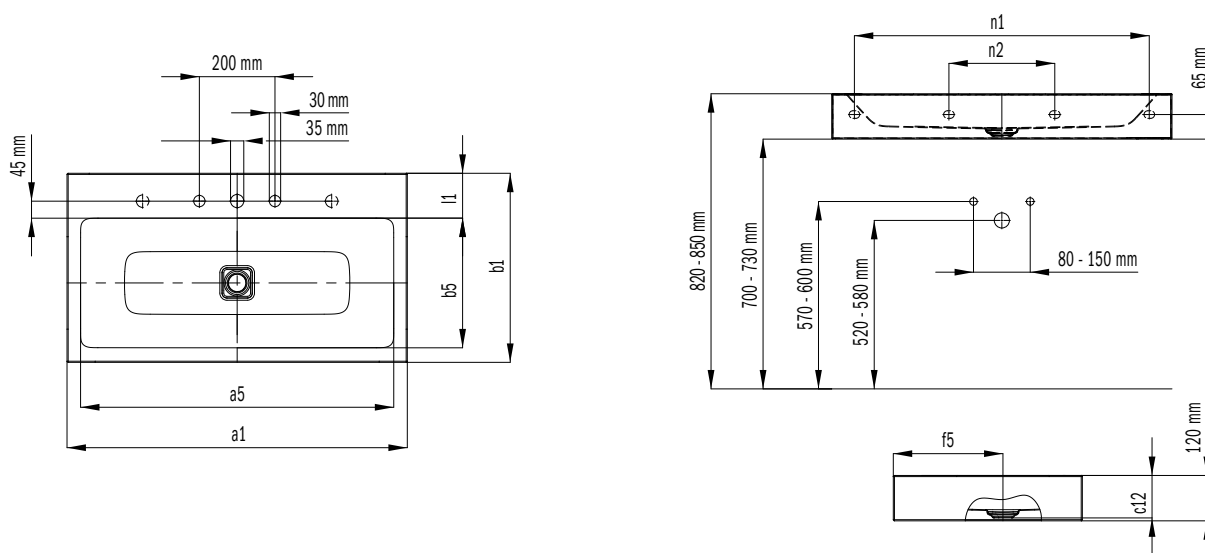
CONO WALL-HUNG WASHBASIN

- Harmonious washbasin with a premium character
- Enamelled waste integrated optimally to round off the geometric appearance perfectly
- The perfect addition to the CONO family
- Extremely generous space for fittings and individual accessories



Similar illustration

	ALPINE WHITE	SANITARY COLOURS				COORDINATED COLOURS	ALPINE WHITE MATT	WARM BEIGE 20	WARM BEIGE 40	WARM GREY 10	WARM GREY 30	WARM GREY 50	WARM GREY 60	WARM GREY 70	WARM GREY 80	WARM GREY 85	WARM GREY 90	COOL GREY 30	COOL GREY 40	COOL GREY 70	COOL GREY 80	COOL GREY 90	BLACK MATT 100
CONO	001	030	199	231	701	711	661		668				671					663		665		667	676



Model	External length [mm]	Internal length [mm]	External width [mm]	Internal width [mm]	Distance basin surface to bottom edge of waste hole [mm]	External diameter [mm]	Inner diameter top [mm]	Outer diameter bottom	Distance rear edge to centre of waste hole [mm]	Depth of tap deck [mm]	External distance of fixing holes [mm]	Internal distance of fixing holes [mm]	Net weight [kg]
	a_1	a_5	b_1	b_5	c_{12}	d_7	d_8	d_9	f_5	l_1	n_1	n_2	
3079	500	432	500	348	112	-	-	-	290	116	-	280	12
3089	600	532	500	348	112	-	-	-	290	116	-	280	13
3090	900	832	500	348	112	-	-	-	290	116	780	280	18
3091	1200	1128	500	343	112	-	-	-	290	116	1040	280	23

	Model	Order No.	Dimensions (mm)	Alpine White (I)	Sanitary Colours (II, III)	Coord. Colours (IV)	EUR
CONO WALL-HUNG WASHBASIN	3079	9086 06013 xxx	500 x 500 x 120	591.00	767.00		767.00
with 1 x 1 tap hole	3089	9025 06013 xxx	600 x 500 x 120	746.00	969.00		969.00
including easy-clean finish, sound insulation and wall decoupling strip	3090	9026 06013 xxx	900 x 500 x 120	1,025.00	1,331.00		1,331.00
enamelled on both sides	3091	9027 06013 xxx	1200 x 500 x 120	1,215.00	1,581.00		1,581.00
without overflow							
without tap hole		xxxx 0600 xxxx		without extra charge	without extra charge		without extra charge
1 x 3 tap holes		xxxx 0603 xxxx		without extra charge	without extra charge		without extra charge

REQUIRED: ACCESSORY^{•1}	Model	Order No.	Price	Alpine White (I)	Sanitary Colours (II, III)	Coord. Colours (IV)
Free-flow waste square, enamelled cover	3905	9059 0000 xxxx		79.50	86.50	86.50
CLOU waste and overflow valve for eccentric actuation square, enamelled cover, for fittings with lever operation	3901	9054 0000 xxxx		114.50	125.50	125.50

OPTIONAL: ACCESSORY^{•1}	Model	Order No.	Price	Alpine White (I)	Sanitary Colours (II, III)	Coord. Colours (IV)
Designer bottle trap	3908	9057 0000 0999	175.50			
Built-in soap dispenser	3916	9106 0001 0999	135.00			
Hair catcher suitable for free-flow waste model 3904 and model 3905	3912	9104 0000 0001	4.40			

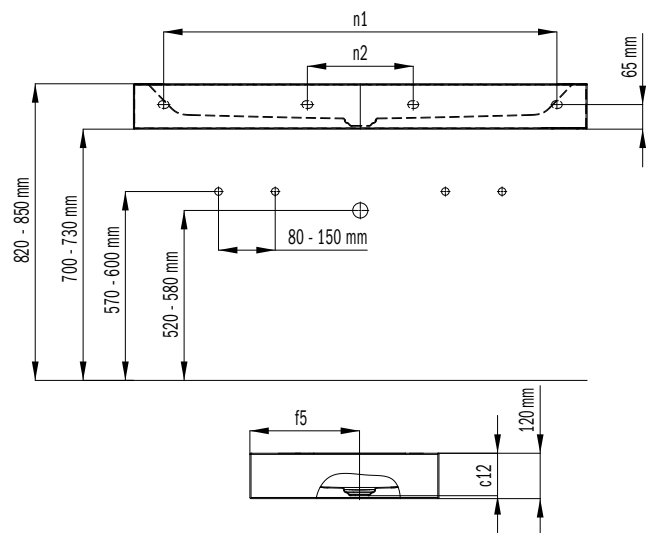
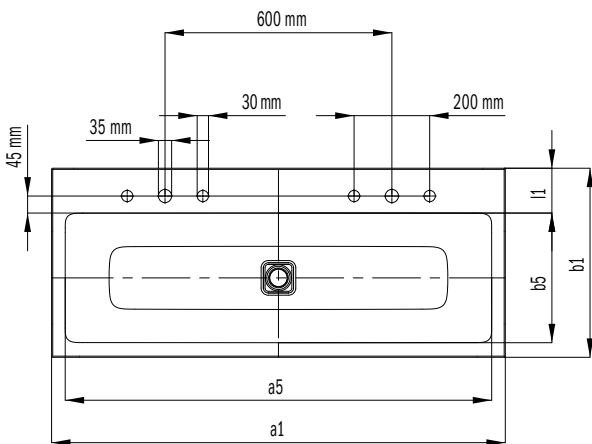
CONO WALL-HUNG DOUBLE WASHBASIN

- Harmonious washbasin with a premium character
- Enamelled waste integrated optimally to round off the geometric appearance perfectly
- The perfect addition to the CONO family
- Extremely generous space for fittings and individual accessories



Similar illustration

	ALPINE WHITE		BAHAMABEIGE		MANHATTAN		PERGAMON		BLACK		ALPINE WHITE MATT		WARM BEIGE 20		WARM BEIGE 40		WARM GREY 10		WARM GREY 30		WARM GREY 50		WARM GREY 60		WARM GREY 70		WARM GREY 80		WARM GREY 85		WARM GREY 90		COOL GREY 30		COOL GREY 40		COOL GREY 70		COOL GREY 80		COOL GREY 90		BLACK MATT 100	
CONO	001	SANITARY COLOURS	030	199	231	701				COORDINATED COLOURS	711	661					668						671											663			665				667			676



Model	External length [mm]	Internal length [mm]	External width [mm]	Internal width [mm]	Distance basin surface to bottom edge of waste hole [mm]	External diameter [mm]	Inner diameter top [mm]	Outer diameter bottom	Distance rear edge to centre of waste hole [mm]	Depth of tap deck [mm]	External distance of fixing holes [mm]	Internal distance of fixing holes [mm]	Net weight [kg]
	a_1	a_5	b_1	b_5	$c_{1,2}$	d_7	d_8	d_9	f_5	l_1	n_1	n_2	
3091	1200	1128	500	343	112	-	-	-	290	116	1040	280	23

	Model	Order No.	Dimensions (mm)	Alpine White (I)	Sanitary Colours (II, III)	Coord. Colours (IV)	EUR
CONOWALL-HUNG DOUBLE WASHBASIN	3091-D	9027 0604 3xxx	1200 x 500 x 120	1,215.00	1,581.00	1,581.00	
with 2 x 1 tap hole including easy-clean finish, sound insulation and wall decoupling strip enamelled on both sides without overflow							
2 x 3 tap holes		xxxx 0605 xxxx		without extra charge	without extra charge	without extra charge	

REQUIRED: ACCESSORY•¹	Model	Order No.	Price	Alpine White (I)	Sanitary Colours (II, III)	Coord. Colours (IV)	
Free-flow waste	3905	9059 0000 xxxx		79.50	86.50	86.50	
square, enamelled cover							

OPTIONAL: ACCESSORY•¹	Model	Order No.	Price	Alpine White (I)	Sanitary Colours (II, III)	Coord. Colours (IV)	
Designer bottle trap	3908	9057 0000 0999	175.50				
Built-in soap dispenser	3916	9106 0001 0999	135.00				
Hair catcher	3912	9104 0000 0001	4.40				
suitable for free-flow waste model 3904 and model 3905							

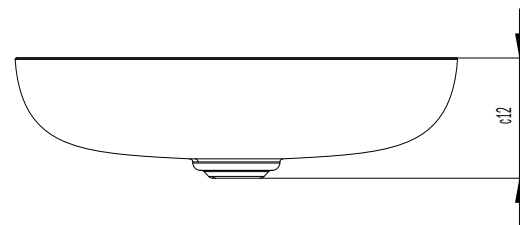
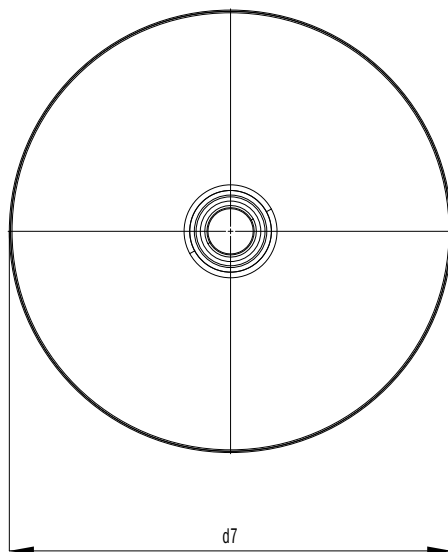
MIENA WASHBOWL

- Premium product with high, puristic design standards
- Iconic in bathroom design: ideal for combining with high-quality fittings
- A wide range of possible combinations with bathtubs and shower surfaces in the spirit of the “perfect match”
- Made of KALDEWEI steel enamel – robust and long-lasting thanks to the material perfectly matched to the design
- Designed by Anke Salomon



Similar illustration

MIENA	ALPINE WHITE	SANITARY COLOURS				COORDINATED COLOURS										EXCLUSIV COLOURS										
	001	BAHAMABEIGE 030	MANHATTAN 199	PERGAMON 231	BLACK 701	ALPINE WHITE MATT 711	WARM BEIGE 20 661	WARM BEIGE 40 668	WARM GREY 10 668	WARM GREY 30	WARM GREY 50	WARM GREY 60 671	WARM GREY 70	WARM GREY 80	WARM GREY 85	WARM GREY 90	COOL GREY 30 663	COOL GREY 40	COOL GREY 70 665	COOL GREY 80	COOL GREY 90 667	BLACK MATT 100 676	NAVYBLUE MATT 677	DEEP DREAM 678	SOFT TOUCH 679	SWEET LOVE 680



Model	External length [mm]	Internal length [mm]	External width [mm]	Internal width [mm]	Distance basin surface to bottom edge of waste hole [mm]	External diameter [mm]	Inner diameter top [mm]	Outer diameter bottom	Distance rear edge to centre of waste hole [mm]	Depth of tap deck [mm]	External distance of fixing holes [mm]	Internal distance of fixing holes [mm]	Net weight [kg]
	a ₁	a ₅	b ₁	b ₅	c ₁₂	d ₇	d ₈	d ₉	f ₅	l ₁	n ₁	n ₂	
3180	-	-	-	-	122	450	-	-	-	-	-	-	7
3181	-	-	-	-	122	380	-	-	-	-	-	-	6
3193	-	-	-	-	112	310	-	-	-	-	-	-	3

	Model	Order No.	Dimensions (mm)	EUR		
				Alpine White (I)	Sanitary Colours (II, III)	Coord. Colours & Exclusiv Colours (IV)
MIENA WASHBOWL	3180	9093 0600 3xxx	Ø 450	663.00	861.00	861.00
including easy-clean finish	3181	9094 0600 3xxx	Ø 380	497.00	647.00	647.00
enamelled on both sides	3193	9114 0600 3xxx	Ø 310	483.00	627.00	627.00
without overflow						

	Model	Order No.	Price	Alpine White (I)	Sanitary Colours (II, III)	Coord. Colours (IV)
REQUIRED: ACCESSORY•¹						
Free-flow waste	3904	9058 0000 xxxx		79.50	86.50	86.50
round, enamelled cover						

	Model	Order No.	Price	Alpine White (I)	Sanitary Colours (II, III)	Coord. Colours (IV)
OPTIONAL: ACCESSORY•¹						
Designer bottle trap	3908	9057 0000 0999	175.50			
Hair catcher	3912	9104 0000 0001	4.40			
suitable for free-flow waste model 3904 and model 3905						

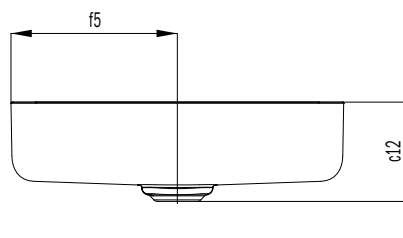
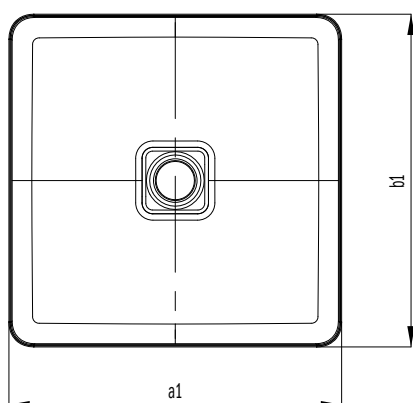
MIENA WASHBOWL

- Premium product with high, puristic design standards
- Iconic in bathroom design: ideal for combining with high-quality fittings
- A wide range of possible combinations with bathtubs and shower surfaces in the spirit of the “perfect match”
- Also available in selected sizes as a Limited Edition nature protect with a greatly reduced CO₂ footprint
- Designed by Anke Salomon



Similar illustration

	ALPINE WHITE 001	SANITARY COLOURS	BAHAMABEIGE 030	MANHATTAN 199	PERGAMON 231	BLACK 701	COORDINATED COLOURS	ALPINE WHITE MATT 711	WARM BEIGE 20 661	WARM BEIGE 40	WARM GREY 10 668	WARM GREY 30	WARM GREY 50	WARM GREY 60 671	WARM GREY 70	WARM GREY 80	WARM GREY 85	WARM GREY 90	COOL GREY 30 663	COOL GREY 40	COOL GREY 70 665	COOL GREY 80	COOL GREY 90 667	BLACK MATT 100 676
MIENA																								



Model	External length [mm]	Internal length [mm]	External width [mm]	Internal width [mm]	Distance basin surface to bottom edge of waste hole [mm]	External diameter [mm]	Inner diameter top [mm]	Outer diameter bottom	Distance rear edge to centre of waste hole [mm]	Depth of tap deck [mm]	External distance of fixing holes [mm]	Internal distance of fixing holes [mm]	Net weight [kg]
	a ₁	a _s	b ₁	b _s	c ₁₂	d ₇	d ₈	d ₉	f ₅	l ₁	n ₁	n ₂	
3184	400	-	400	-	119	-	-	-	200	-	-	-	6
3185	580	-	380	-	119	-	-	-	190	-	-	-	8

	Model	Order No.	Dimensions (mm)	EUR		
				Alpine White (I)	Sanitary Colours (II, III)	Coord. Colours (IV)
MIENA WASHBOWL	3184	9095 0600 3xxx	400 x 400	663.00	861.00	861.00
including easy-clean finish enamelled on both sides without overflow	3185	9096 0600 3xxx	580 x 380	828.00	1,075.00	1,075.00
MIENA WASHBOWL	3184NP	9095 0691 3xxx	400 x 400	748.00	946.00	946.00
Limited Edition nature protect made from CO ₂ - reduced steel with easy-clean finish enamelled on both sides without overflow	3185NP	9096 0691 3xxx	580 x 380	913.00	1,160.00	1,160.00

REQUIRED: ACCESSORY^{•1}	Model	Order No.	Price	EUR		
				Alpine White (I)	Sanitary Colours (II, III)	Coord. Colours (IV)
Free-flow waste	3905	9059 0000 xxxx		79.50	86.50	86.50
square, enamelled cover						

OPTIONAL: ACCESSORY^{•1}	Model	Order No.	Price	EUR		
				Alpine White (I)	Sanitary Colours (II, III)	Coord. Colours (IV)
Designer bottle trap	3908	9057 0000 0999	175.50			
Hair catcher	3912	9104 0000 0001	4.40			
suitable for free-flow waste model 3904 and model 3905						

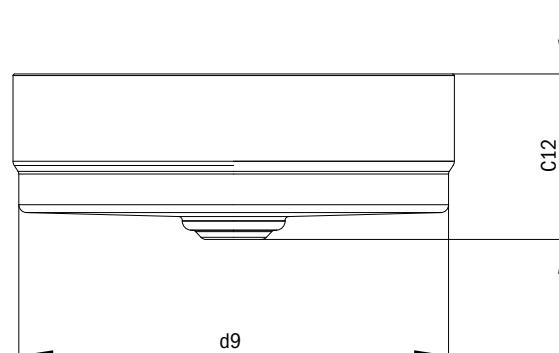
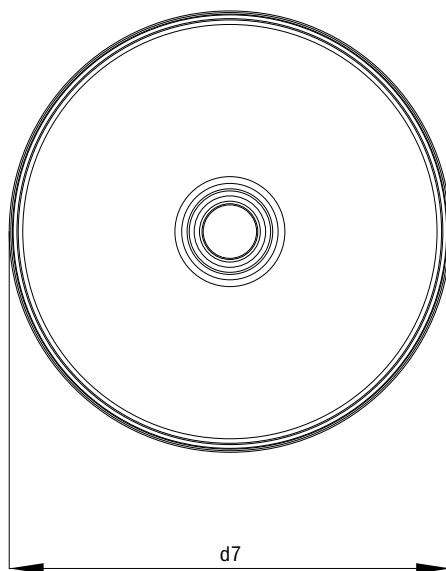
NUEVA WASHBOWL

- Clear, elementary form as an antithesis to an increasingly complex world
- A concise offset in the contour predestines the washbowl to become the classic of tomorrow
- The narrow radii are accentuated in the interplay with the cubic forms in the room architecture
- Made of KALDEWEI steel enamel – sustainable and long-lasting thanks to the material perfectly matched to the design
- Designed by Werner Aisslinger



Similar illustration

NUEVA	ALPINE WHITE	SANITARY COLOURS				COORDINATED COLOURS																	
	001	BAHAMABEIGE 030	MANHATTAN 199	PERGAMON 231	BLACK 701	ALPINE WHITE MATT 711	WARM BEIGE 20 661	WARM BEIGE 40	WARM GREY 10 668	WARM GREY 30	WARM GREY 50	WARM GREY 60 671	WARM GREY 70	WARM GREY 80	WARM GREY 85	WARM GREY 90	COOL GREY 30 663	COOL GREY 40	COOL GREY 70 665	COOL GREY 80	COOL GREY 90 667	BLACK MATT 100 676	



Model	External length [mm]	Internal length [mm]	External width [mm]	Internal width [mm]	Distance basin surface to bottom edge of waste hole [mm]	External diameter [mm]	Inner diameter top [mm]	Outer diameter bottom	Distance rear edge to centre of waste hole [mm]	Depth of tap deck [mm]	External distance of fixing holes [mm]	Internal distance of fixing holes [mm]	Net weight [kg]
	a_1	a_s	b_1	b_s	c_{12}	d_7	d_8	d_9	f_5	l_1	n_1	n_2	
3191	-	-	-	-	142	380	-	370	-	-	-	-	6
3194	-	-	-	-	127	320	-	315	-	-	-	-	4

	Model	Order No.	Dimensions (mm)	Alpine White (I)	Sanitary Colours (II, III)	EUR Coord. Colours (IV)
NUEVA WASHBOWL	3191	9112 0600 3xxx	Ø 380	722.00	938.00	938.00
including easy-clean finish enamelled on both sides without overflow	3194	9115 0600 3xxx	Ø 320	571.00	742.00	742.00

REQUIRED: ACCESSORY•¹	Model	Order No.	Price	Alpine White (I)	Sanitary Colours (II, III)	EUR Coord. Colours (IV)
Free-flow waste round, enamelled cover	3904	9058 0000 xxxx		79.50	86.50	86.50

OPTIONAL: ACCESSORY•¹	Model	Order No.	Price	Alpine White (I)	Sanitary Colours (II, III)	EUR Coord. Colours (IV)
Designer bottle trap	3908	9057 0000 0999	175.50			
Hair catcher suitable for free-flow waste model 3904 and model 3905	3912	9104 0000 0001	4.40			

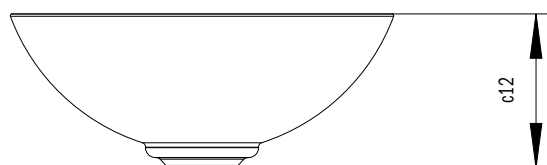
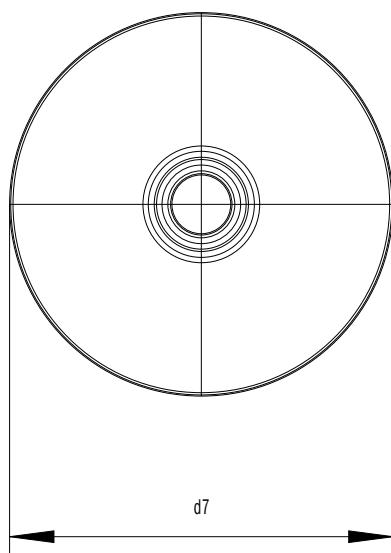
AVELLINO WASHBOWL

- The filigree, conical shape gives the washbasin bowl a feeling of lightness
- Efficient, space-saving room design due to slim silhouette
- Iconic in bathroom design: ideal for combining with high-quality fittings
- A wide range of possible combinations with bathtubs and shower surfaces in the spirit of the “perfect match”
- Made of KALDEWEI steel enamel – sustainable and long-lasting thanks to the material perfectly matched to the design



Similar illustration

AVELLINO	ALPINE WHITE	SANITARY COLOURS				COORDINATED COLOURS																	
	001	BAHAMABEIGE 030	MANHATTAN 199	PERGAMON 231	BLACK 701	ALPINE WHITE MATT 711	WARM BEIGE 20 661	WARM BEIGE 40	WARM GREY 10 668	WARM GREY 30	WARM GREY 50	WARM GREY 60 671	WARM GREY 70	WARM GREY 80	WARM GREY 85	WARM GREY 90	COOL GREY 30 663	COOL GREY 40	COOL GREY 70 665	COOL GREY 80	COOL GREY 90 667	BLACK MATT 100 676	



Model	External length [mm]	Internal length [mm]	External width [mm]	Internal width [mm]	Distance basin surface to bottom edge of waste hole [mm]	External diameter [mm]	Inner diameter top [mm]	Outer diameter bottom	Distance rear edge to centre of waste hole [mm]	Depth of tap deck [mm]	External distance of fixing holes [mm]	Internal distance of fixing holes [mm]	Net weight [kg]
	a ₁	a ₅	b ₁	b ₅	c ₁₂	d ₇	d ₈	d ₉	f ₅	l ₁	n ₁	n ₂	
3203	-	-	-	-	120	300	-	-	-	-	-	-	4
3204	-	-	-	-	141	360	-	-	-	-	-	-	5
3205	-	-	-	-	153	450	-	-	-	-	-	-	6

	Model	Order No.	Dimensions (mm)	EUR		
				Alpine White (I)	Sanitary Colours (II, III)	Coord. Colours (IV)
AVELLINO WASHBOWL	3203	9120 0600 3xxx	Ø 300	483.00	627.00	627.00
including easy-clean finish	3204	9121 0600 3xxx	Ø 360	571.00	742.00	742.00
enamelled on both sides	3205	9122 0600 3xxx	Ø 450	614.00	798.00	798.00
without overflow						

REQUIRED: ACCESSORY•¹	Model	Order No.	Price	Alpine White (I)	Sanitary Colours (II, III)	Coord. Colours (IV)
Free-flow waste	3904	9058 0000 xxxx		79.50	86.50	86.50
round, enamelled cover						

OPTIONAL: ACCESSORY•¹	Model	Order No.	Price	Alpine White (I)	Sanitary Colours (II, III)	Coord. Colours (IV)
Designer bottle trap	3908	9057 0000 0999	175.50			
Hair catcher	3912	9104 0000 0001	4.40			
suitable for free-flow waste model 3904 and model 3905						

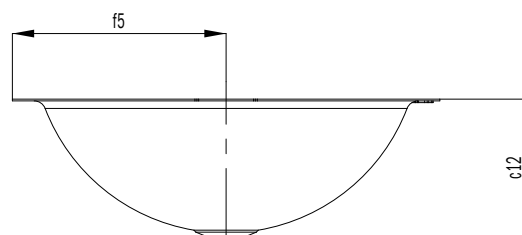
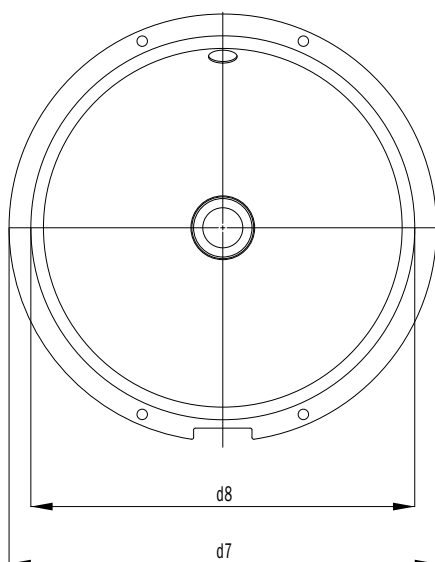
CLASSIC UNDERCOUNTER WASHBASIN

- Elegant and timeless design
- Flowing interior shape allows simple and effective unity with your chosen vanity unit or console
- Maximised space is achieved for your bathroom accessories and fittings
- Perfect match with CLASSIC range



Similar illustration

CLASSIC	ALPINE WHITE	SANITARY COLOURS				COORDINATED COLOURS																	
	001	BAHAMABEIGE 030	MANHATTAN 199	PERGAMON 231	BLACK 701	ALPINE WHITE MATT 711	WARM BEIGE 20 661	WARM BEIGE 40	WARM GREY 10 668	WARM GREY 30	WARM GREY 50	WARM GREY 60 671	WARM GREY 70	WARM GREY 80	WARM GREY 85	WARM GREY 90	COOL GREY 30 663	COOL GREY 40	COOL GREY 70 665	COOL GREY 80	COOL GREY 90 667	BLACK MATT 100 676	



Model	External length [mm]	Internal length [mm]	External width [mm]	Internal width [mm]	Distance basin surface to bottom edge of waste hole [mm]	External diameter [mm]	Inner diameter top [mm]	Outer diameter bottom	Distance rear edge to centre of waste hole [mm]	Depth of tap deck [mm]	External distance of fixing holes [mm]	Internal distance of fixing holes [mm]	Net weight [kg]
	a_1	a_s	b_1	b_s	c_{12}	d_7	d_8	d_9	f_5	l_1	n_1	n_2	
3182	-	-	-	-	157	491	420	-	246	-	-	-	7
3183	-	-	-	-	137	432	360	-	216	-	-	-	7

	Model	Order No.	Dimensions (mm)	Alpine White (I)	Sanitary Colours (II, III)	Coord. Colours (IV)	EUR
CLASSIC UNDERCOUNTER WASHBASIN	3182	9100 0600 3xxx	Ø 420	442.00	575.00		575.00
with overflow fitting chrome, easy-clean finish and sound insulation, enamelled on both sides, with overflow without tap hole	3183	9101 0600 3xxx	Ø 360	362.00	470.00		470.00
without tap hole, overflow set alpine white		xxxx 0718 xxxx		without extra charge	without extra charge		without extra charge
without tap hole, overflow set black matt 100		xxxx 0725 xxxx		without extra charge	without extra charge		without extra charge

OPTIONAL: ACCESSORY•¹	Model	Order No.	Price	Alpine White (I)	Sanitary Colours (II, III)	Coord. Colours (IV)
Push-To-Open brass waste	3915					
alpine white		9105 0001 0001		88.50		
black matt 100		9105 0001 0676				88.50
chrome		9105 0001 0999	67.50			
Designer bottle trap	3908	9057 0000 0999	175.50			

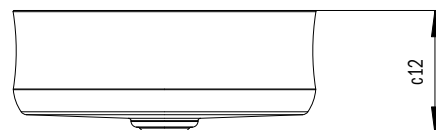
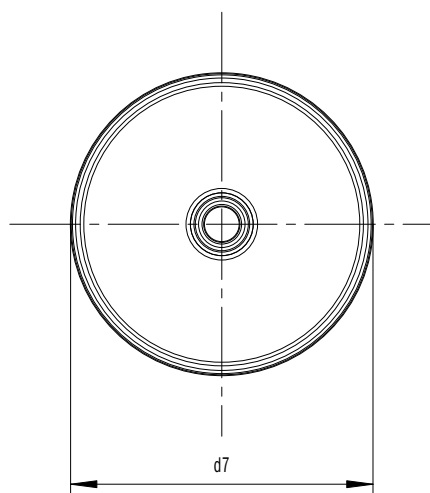
MING WASHBOWL

- Premium product with high, puristic design standards
- The traditional and the modern in perfect harmony
- Iconic in bathroom design: ideal for combining with high-quality fittings
- Luxurious bathroom design thanks to focus on lavish comfort



Similar illustration

MING	ALPINE WHITE	SANITARY COLOURS	BAHAMABEIGE	MANHATTAN	PERGAMON	BLACK	COORDINATED COLOURS	ALPINE WHITE MATT	WARM BEIGE 20	WARM BEIGE 40	WARM GREY 10	WARM GREY 30	WARM GREY 50	WARM GREY 60	WARM GREY 70	WARM GREY 80	WARM GREY 85	WARM GREY 90	COOL GREY 30	COOL GREY 40	COOL GREY 70	COOL GREY 80	COOL GREY 90	BLACK MATT 100
	001		030	199	231	701		711	661	668	671										663		665	



Model	External length [mm]	Internal length [mm]	External width [mm]	Internal width [mm]	Distance basin surface to bottom edge of waste hole [mm]	External diameter [mm]	Inner diameter top [mm]	Outer diameter bottom	Distance rear edge to centre of waste hole [mm]	Depth of tap deck [mm]	External distance of fixing holes [mm]	Internal distance of fixing holes [mm]	Net weight [kg]
3187	a ₁	a _s	b ₁	b _s	c ₁₂	d ₇	d ₈	d ₉	f ₅	l ₁	n ₁	n ₂	
3187	-	-	-	-	162	400	-	-	-	-	-	-	6

	Model	Order No.	Dimensions (mm)	Alpine White (I)	Sanitary Colours (II, III)	EUR Coord. Colours (IV)
MING WASHBOWL including easy-clean finish enameled on both sides without overflow	3187	9134 0600 3xxx	Ø 400	675.00	877.00	877.00

	Model	Order No.	Price	Alpine White (I)	Sanitary Colours (II, III)	EUR Coord. Colours (IV)
REQUIRED: ACCESSORY•¹ Free-flow waste round, enamelled cover	3904	9058 0000 xxxx		79.50	86.50	86.50

	Model	Order No.	Price	Alpine White (I)	Sanitary Colours (II, III)	EUR Coord. Colours (IV)
OPTIONAL: ACCESSORY•¹ Designer bottle trap	3908	9057 0000 0999	175.50			
Hair catcher suitable for free-flow waste model 3904 and model 3905	3912	9104 0000 0001	4.40			

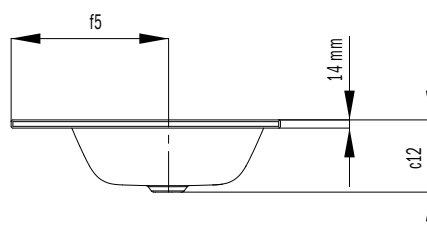
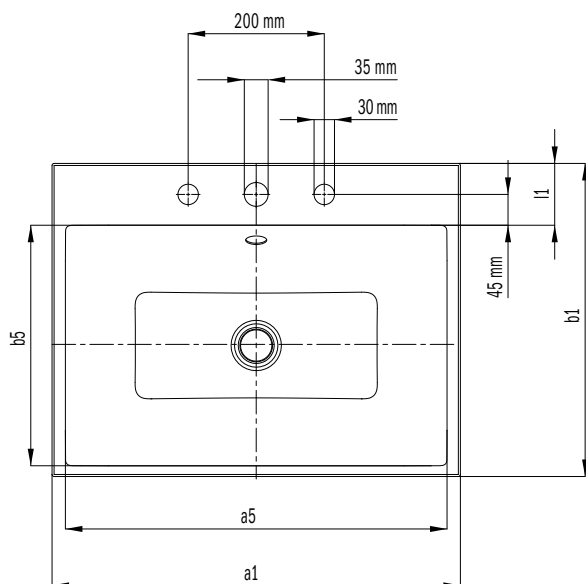
PURO BUILT-IN WASHBASIN

- Elegant rectangular washbasin in a classically minimalist design
- Reduced precise edges
- Very generous interior dimensions
- Clean and timeless lines – immortalised in long-lasting KALDEWEI steel enamel
- Harmonises perfectly with the PURO bath series
- Designed by Anke Salomon



Similar illustration

	ALPINE WHITE	SANITARY COLOURS				COORDINATED COLOURS	ALPINE WHITE MATT	WARM BEIGE 20	WARM BEIGE 40	WARM GREY 10	WARM GREY 30	WARM GREY 50	WARM GREY 60	WARM GREY 70	WARM GREY 80	WARM GREY 85	WARM GREY 90	COOL GREY 30	COOL GREY 40	COOL GREY 70	COOL GREY 80	COOL GREY 90	BLACK MATT 100
PURO	001	030	199	231	701	711	661		668			671						663		665		667	676



Model	External length [mm]	Internal length [mm]	External width [mm]	Internal width [mm]	Distance basin surface to bottom edge of waste hole [mm]	External diameter [mm]	Inner diameter top [mm]	Outer diameter bottom	Distance rear edge to centre of waste hole [mm]	Depth of tap deck [mm]	External distance of fixing holes [mm]	Internal distance of fixing holes [mm]	Net weight [kg]
	a_1	a_5	b_1	b_5	c_{12}	d_7	d_8	d_9	f_5	l_1	n_1	n_2	
3150	460	421	460	354	115	-	-	-	268	91	-	-	6
3151	600	561	460	354	125	-	-	-	268	91	-	-	7
3152	900	860	460	354	125	-	-	-	268	91	-	-	10
3169	1200	1160	460	354	125	-	-	-	268	91	-	-	15

	Model	Order No.	Dimensions (mm)	Alpine White (I)	Sanitary Colours (II, III)	Coord. Colours (IV)	EUR
PURO BUILT-IN WASHBASIN	3150	9000 06013 xxx	460 x 460 x 14	382.00	497.00	497.00	
with 1 x 1 tap hole	3151	9001 06013 xxx	600 x 460 x 14	503.00	654.00	654.00	
including overflow fitting chrome, easy-clean finish, sound insulation	3152	9002 06013 xxx	900 x 460 x 14	724.00	940.00	940.00	
enamelled on both sides	3169	9071 06013 xxx	1200 x 460 x 14	944.00	1,228.00	1,228.00	
with overflow							
1 x 1 tap hole, overflow set alpine white		xxxx 0719 xxxx		without extra charge	without extra charge	without extra charge	
1 x 1 tap hole, overflow set black matt 100		xxxx 0726 xxxx		without extra charge	without extra charge	without extra charge	
1 x 3 tap holes		xxxx 0603 xxxx		without extra charge	without extra charge	without extra charge	
1 x 3 tap holes, overflow set alpine white		xxxx 0720 xxxx		without extra charge	without extra charge	without extra charge	
1 x 3 tap hole, overflow set black matt 100		xxxx 0727 xxxx		without extra charge	without extra charge	without extra charge	
without tap hole		xxxx 0600 xxxx		without extra charge	without extra charge	without extra charge	
without tap hole, overflow set alpine white		xxxx 0718 xxxx		without extra charge	without extra charge	without extra charge	
without tap hole, overflow set black matt 100		xxxx 0725 xxxx		without extra charge	without extra charge	without extra charge	

OPTIONAL: ACCESSORY•¹	Model	Order No.	Price	Alpine White (I)	Sanitary Colours (II, III)	Coord. Colours (IV)
Push-To-Open brass waste	3915					
alpine white		9105 00010001	88.50			
black matt 100		9105 00010676				88.50
chrome		9105 00010999	67.50			
Designer bottle trap	3908	9057 00000999	175.50			
Built-in soap dispenser	3916	9106 00010999	135.00			

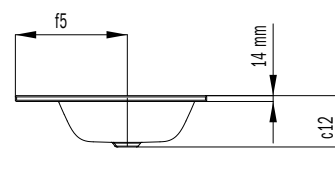
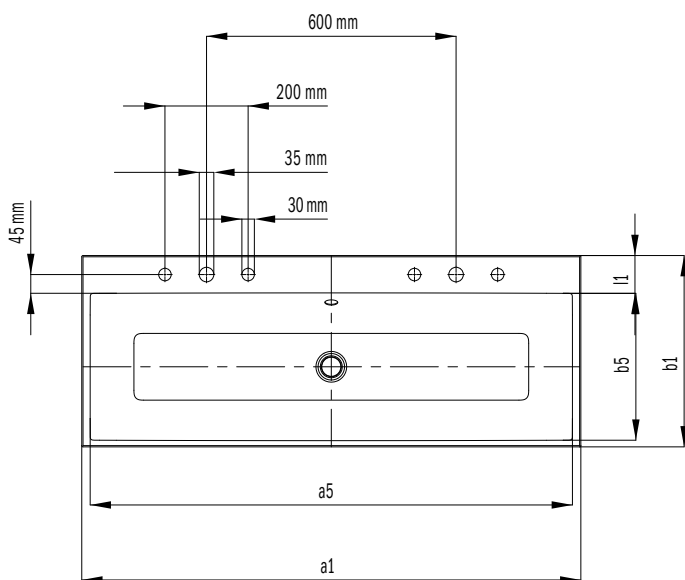
PURO BUILT-IN DOUBLE WASHBASIN

- Elegant rectangular washbasin in a classically minimalist design
- Reduced precise edges
- Very generous interior dimensions
- Clean and timeless lines – immortalised in long-lasting KALDEWEI steel enamel
- Harmonises perfectly with the PURO bath series
- Designed by Anke Salomon



Similar illustration

	ALPINE WHITE		BAHAMABEIGE		MANHATTAN		PERGAMON		BLACK		COORDINATED COLOURS	ALPINE WHITE MATT	WARM BEIGE 20	WARM BEIGE 40	WARM GREY 10	WARM GREY 30	WARM GREY 50	WARM GREY 60	WARM GREY 70	WARM GREY 80	WARM GREY 85	WARM GREY 90	COOL GREY 30	COOL GREY 40	COOL GREY 70	COOL GREY 80	COOL GREY 90	BLACK MATT 100
PURO	001	SANITARY COLOURS	030	199	231	701					711	661			668			671					663		665		667	676



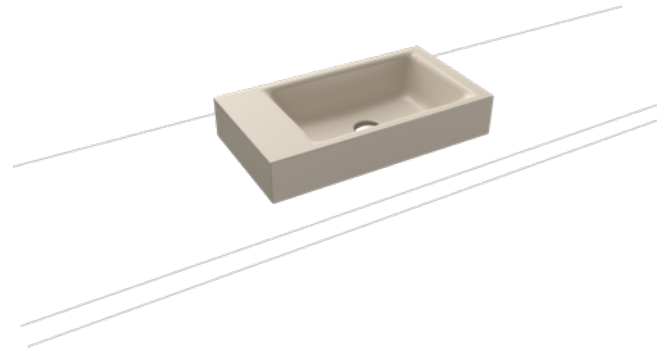
Model	External length [mm]	Internal length [mm]	External width [mm]	Internal width [mm]	Distance basin surface to bottom edge of waste hole [mm]	External diameter [mm]	Inner diameter top [mm]	Outer diameter bottom	Distance rear edge to centre of waste hole [mm]	Depth of tap deck [mm]	External distance of fixing holes [mm]	Internal distance of fixing holes [mm]	Net weight [kg]
	a_1	a_5	b_1	b_5	c_{12}	d_7	d_8	d_9	f_5	l_1	n_1	n_2	
3169	1200	1160	460	354	125	-	-	-	268	91	-	-	15

	Model	Order No.	Dimensions (mm)	Alpine White (I)	Sanitary Colours (II, III)	EUR Coord. Colours (IV)
PURO BUILT-IN DOUBLE WASHBASIN with 2 x 1 tap hole, with overflow fitting chrome, easy-clean finish and sound insulation, enamelled on both sides, with overflow	3169-D	9071 0604 3xxx	1200 x 460 x 14	944.00	1,228.00	1,228.00
2 x 1 tap hole, overflow set alpine white		xxxx 0721 xxxx		without extra charge	without extra charge	without extra charge
2 x 1 tap hole, overflow set black matt 100		xxxx 0728 xxxx		without extra charge	without extra charge	without extra charge
2 x 3 tap holes		xxxx 0605 xxxx		without extra charge	without extra charge	without extra charge
2 x 3 tap holes, overflow set alpine white		xxxx 0722 xxxx		without extra charge	without extra charge	without extra charge
2 x 3 tap holes, overflow set black matt 100		xxxx 0729 xxxx		without extra charge	without extra charge	without extra charge
without tap hole		xxxx 0600 xxxx		without extra charge	without extra charge	without extra charge
without tap hole, overflow set alpine white		xxxx 0718 xxxx		without extra charge	without extra charge	without extra charge
without tap hole, overflow set black matt 100		xxxx 0725 xxxx		without extra charge	without extra charge	without extra charge

OPTIONAL: ACCESSORY•¹	Model	Order No.	Price	Alpine White (I)	Sanitary Colours (II, III)	EUR Coord. Colours (IV)
Push-To-Open brass waste	3915					
alpine white		9105 0001 0001		88.50		
black matt 100		9105 0001 0676				88.50
chrome		9105 0001 0999	67.50			
Designer bottle trap	3908	9057 0000 0999	175.50			
Built-in soap dispenser	3916	9106 0001 0999	135.00			

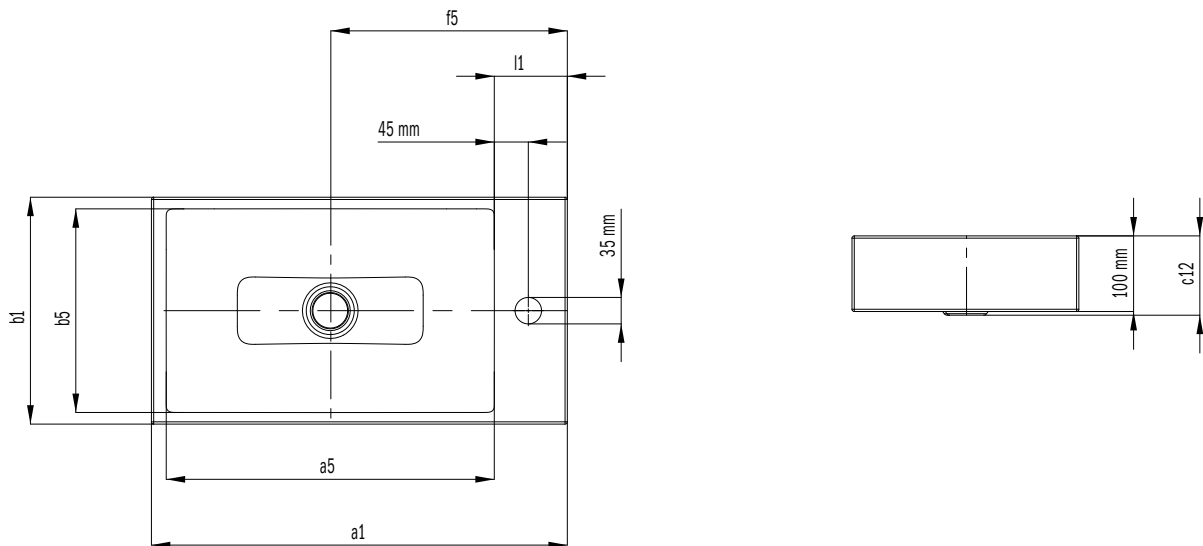
PURO COUNTERTOP WASHBASIN

- Elegant rectangular washbasin in a classically minimalist design
- Reduced precise edges
- Very generous interior dimensions
- Clean and timeless lines – immortalised in long-lasting KALDEWEI steel enamel
- Harmonises perfectly with the PURO bath series
- Designed by Anke Salomon



Similar illustration

PURO	ALPINE WHITE	SANITARY COLOURS				COORDINATED COLOURS																	
	001	BAHAMABEIGE 030	MANHATTAN 199	PERGAMON 231	BLACK 701	ALPINE WHITE MATT 711	WARM BEIGE 20 661	WARM BEIGE 40 668	WARM GREY 10 671	WARM GREY 30	WARM GREY 50	WARM GREY 60	WARM GREY 70	WARM GREY 80	WARM GREY 85	WARM GREY 90	COOL GREY 30 663	COOL GREY 40 665	COOL GREY 70 667	COOL GREY 80 676	COOL GREY 90 676	BLACK MATT 100 676	



Model	External length [mm]	Internal length [mm]	External width [mm]	Internal width [mm]	Distance basin surface to bottom edge of waste hole [mm]	External diameter [mm]	Inner diameter top [mm]	Outer diameter bottom	Distance rear edge to centre of waste hole [mm]	Depth of tap deck [mm]	External distance of fixing holes [mm]	Internal distance of fixing holes [mm]	Net weight [kg]
	a_1	a_5	b_1	b_5	c_{12}	d_7	d_8	d_9	f_5	l_1	n_1	n_2	
3166	550	434	300	269	105	-	-	-	314	96	-	-	8

	Model	Order No.	Dimensions (mm)	Alpine White (I)	Sanitary Colours (II, III)	Coord. Colours (IV)	EUR
PURO COUNTERTOP WASHBASIN	3166	9069 0601 3xxx	550 x 300 x 100	322.00	418.00	418.00	
with 1 x 1 tap hole, tap hole optionally left or right, with easy-clean finish and sound insulation, enamelled on both sides, without overflow							
without tap hole		xxxx 0600 xxxx		without extra charge	without extra charge	without extra charge	

OPTIONAL: ACCESSORY•¹	Model	Order No.	Price	Alpine White (I)	Sanitary Colours (II, III)	Coord. Colours (IV)
Brass permanent drain valve	3917					
for washbasins without overflow						
alpine white		9107 0001 0001	81.00			
black matt 100		9107 0001 0676				81.00
chrome		9107 0001 0999	62.50			
Designer bottle trap	3908	9057 0000 0999	175.50			

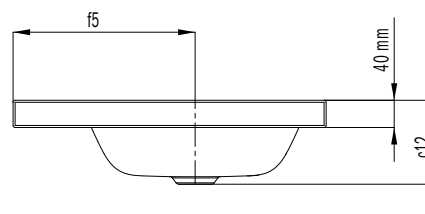
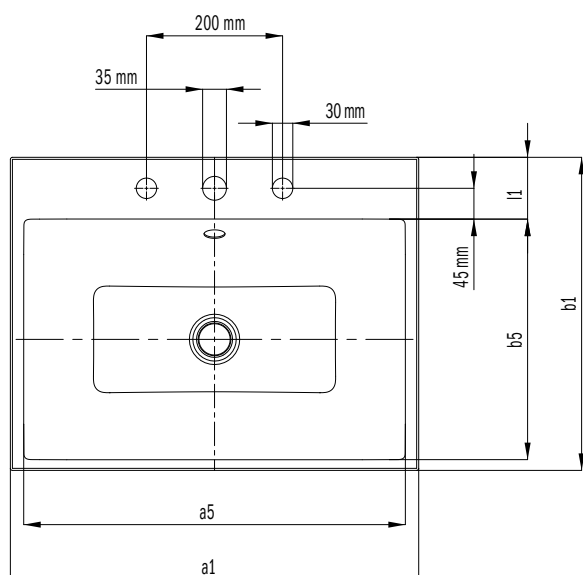
PURO COUNTERTOP WASHBASIN

- Elegant rectangular washbasin in a classically minimalist design
- Reduced precise edges
- Very generous interior dimensions
- Clean and timeless lines – immortalised in long-lasting KALDEWEI steel enamel
- Harmonises perfectly with the PURO bath series
- Designed by Anke Salomon



Similar illustration

PURO	ALPINE WHITE	SANITARY COLOURS	BAHAMABEIGE	MANHATTAN	PERGAMON	BLACK	COORDINATED COLOURS	ALPINE WHITE MATT	WARM BEIGE 20	WARM BEIGE 40	WARM GREY 10	WARM GREY 30	WARM GREY 50	WARM GREY 60	WARM GREY 70	WARM GREY 80	WARM GREY 85	WARM GREY 90	COOL GREY 30	COOL GREY 40	COOL GREY 70	COOL GREY 80	COOL GREY 90	BLACK MATT 100
	001		030	199	231	701		711	661	668	671										663		665	



Model	External length [mm]	Internal length [mm]	External width [mm]	Internal width [mm]	Distance basin surface to bottom edge of waste hole [mm]	External diameter [mm]	Inner diameter top [mm]	Outer diameter bottom	Distance rear edge to centre of waste hole [mm]	Depth of tap deck [mm]	External distance of fixing holes [mm]	Internal distance of fixing holes [mm]	Net weight [kg]
	a ₁	a ₅	b ₁	b ₅	c ₁₂	d ₇	d ₈	d ₉	f ₅	l ₁	n ₁	n ₂	
3153	460	421	460	354	115	-	-	-	268	91	-	-	6
3154	600	561	460	354	125	-	-	-	268	91	-	-	8
3155	900	860	460	354	125	-	-	-	268	91	-	-	11

	Model	Order No.	Dimensions (mm)	Alpine White (I)	Sanitary Colours (II, III)	EUR Coord. Colours (IV)
PURO COUNTERTOP WASHBASIN (RIM HEIGHT 40 MM) with 1 x 1 tap hole including overflow fitting chrome, easy-clean finish, sound insulation enamelled on both sides with overflow	3153	9003 06013 xxx	460 x 460 x 40	382.00	497.00	497.00
	3154	9004 06013 xxx	600 x 460 x 40	503.00	654.00	654.00
	3155	9005 06013 xxx	900 x 460 x 40	724.00	940.00	940.00
1 x 1 tap hole, overflow set alpine white		xxxx 0719 xxxx		without extra charge	without extra charge	without extra charge
1 x 1 tap hole, overflow set black matt 100		xxxx 0726 xxxx		without extra charge	without extra charge	without extra charge
1 x 3 tap holes		xxxx 0603 xxxx		without extra charge	without extra charge	without extra charge
1 x 3 tap holes, overflow set alpine white		xxxx 0720 xxxx		without extra charge	without extra charge	without extra charge
1 x 3 tap hole, overflow set black matt 100		xxxx 0727 xxxx		without extra charge	without extra charge	without extra charge
without tap hole		xxxx 0600 xxxx		without extra charge	without extra charge	without extra charge
without tap hole, overflow set alpine white		xxxx 0718 xxxx		without extra charge	without extra charge	without extra charge
without tap hole, overflow set black matt 100		xxxx 0725 xxxx		without extra charge	without extra charge	without extra charge

OPTIONAL: ACCESSORY*¹	Model	Order No.	Price	Alpine White (I)	Sanitary Colours (II, III)	EUR Coord. Colours (IV)
Push-To-Open brass waste	3915					
alpine white		9105 0001 0001		88.50		
black matt 100		9105 0001 0676				88.50
chrome		9105 0001 0999	67.50			
Designer bottle trap	3908	9057 0000 0999	175.50			
Built-in soap dispenser	3916	9106 0001 0999	135.00			

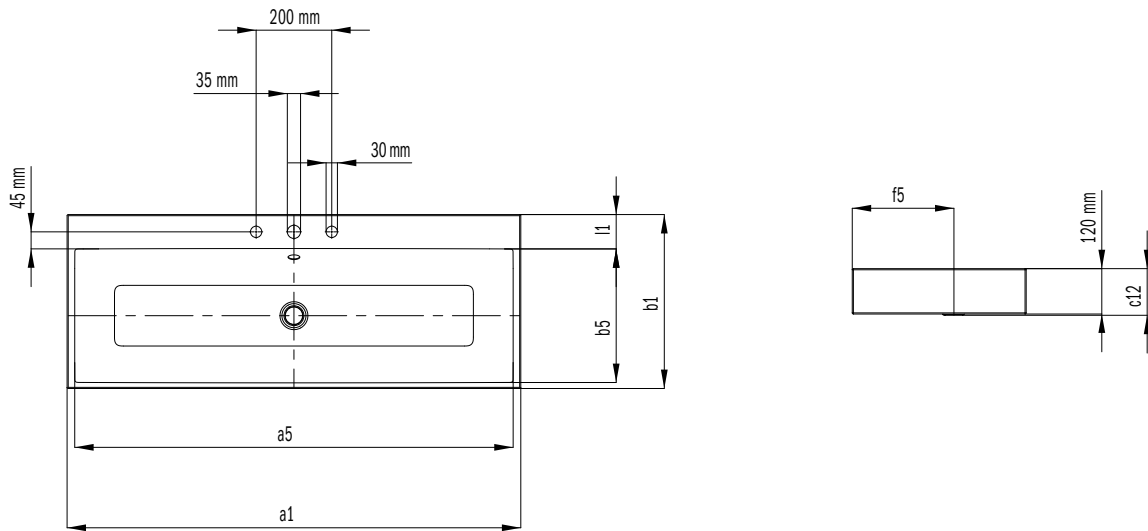
PURO COUNTERTOP WASHBASIN

- Elegant rectangular washbasin in a classically minimalist design
- Reduced precise edges
- Very generous interior dimensions
- Clean and timeless lines – immortalised in long-lasting KALDEWEI steel enamel
- Harmonises perfectly with the PURO bath series
- Designed by Anke Salomon



Similar illustration

	ALPINE WHITE 001	SANITARY COLOURS	BAHAMABEIGE 030	MANHATTAN 199	PERGAMON 231	BLACK 701	COORDINATED COLOURS	ALPINE WHITE MATT 711	WARM BEIGE 20 661	WARM BEIGE 40	WARM GREY 10 668	WARM GREY 30	WARM GREY 50	WARM GREY 60 671	WARM GREY 70	WARM GREY 80	WARM GREY 85	WARM GREY 90	COOL GREY 30 663	COOL GREY 40	COOL GREY 70 665	COOL GREY 80	COOL GREY 90 667	BLACK MATT 100 676
PURO																								



Model	External length [mm]	Internal length [mm]	External width [mm]	Internal width [mm]	Distance basin surface to bottom edge of waste hole [mm]	External diameter [mm]	Inner diameter top [mm]	Outer diameter bottom	Distance rear edge to centre of waste hole [mm]	Depth of tap deck [mm]	External distance of fixing holes [mm]	Internal distance of fixing holes [mm]	Net weight [kg]
	a ₁	a ₅	b ₁	b ₅	c ₁₂	d ₇	d ₈	d ₉	f ₅	l ₁	n ₁	n ₂	
3156	460	421	460	354	115	-	-	-	268	91	-	-	11
3157	600	561	460	354	125	-	-	-	268	91	-	-	13
3158	900	860	460	354	125	-	-	-	268	91	-	-	17
3168	1200	1160	460	354	125	-	-	-	268	91	-	-	23

	Model	Order No.	Dimensions (mm)	Alpine White (I)	Sanitary Colours (II, III)	EUR Coord. Colours (IV)
PURO COUNTERTOP WASHBASIN (RIM HEIGHT 120 MM) with 1 x 1 tap hole including overflow fitting chrome, easy-clean finish, sound insulation enamelled on both sides with overflow	3156	9006 06013 xxx	460 x 460 x 120	382.00	497.00	497.00
	3157	9007 06013 xxx	600 x 460 x 120	503.00	654.00	654.00
	3158	9008 06013 xxx	900 x 460 x 120	724.00	940.00	940.00
	3168	9070 06013 xxx	1200 x 460 x 120	944.00	1,228.00	1,228.00
1 x 1 tap hole, overflow set alpine white		xxxx 0719 xxxx		without extra charge	without extra charge	without extra charge
1 x 1 tap hole, overflow set black matt 100		xxxx 0726 xxxx		without extra charge	without extra charge	without extra charge
1 x 3 tap holes		xxxx 0603 xxxx		without extra charge	without extra charge	without extra charge
1 x 3 tap holes, overflow set alpine white		xxxx 0720 xxxx		without extra charge	without extra charge	without extra charge
1 x 3 tap hole, overflow set black matt 100		xxxx 0727 xxxx		without extra charge	without extra charge	without extra charge
without tap hole		xxxx 0600 xxxx		without extra charge	without extra charge	without extra charge
without tap hole, overflow set alpine white		xxxx 0718 xxxx		without extra charge	without extra charge	without extra charge
without tap hole, overflow set black matt 100		xxxx 0725 xxxx		without extra charge	without extra charge	without extra charge

OPTIONAL: ACCESSORY*¹	Model	Order No.	Price	Alpine White (I)	Sanitary Colours (II, III)	EUR Coord. Colours (IV)
Push-To-Open brass waste	3915					
alpine white		9105 0001 0001		88.50		
black matt 100		9105 0001 0676				88.50
chrome		9105 0001 0999	67.50			
Designer bottle trap	3908	9057 0000 0999	175.50			
Built-in soap dispenser	3916	9106 0001 0999	135.00			

PURO COUNTERTOP DOUBLE WASHBASIN

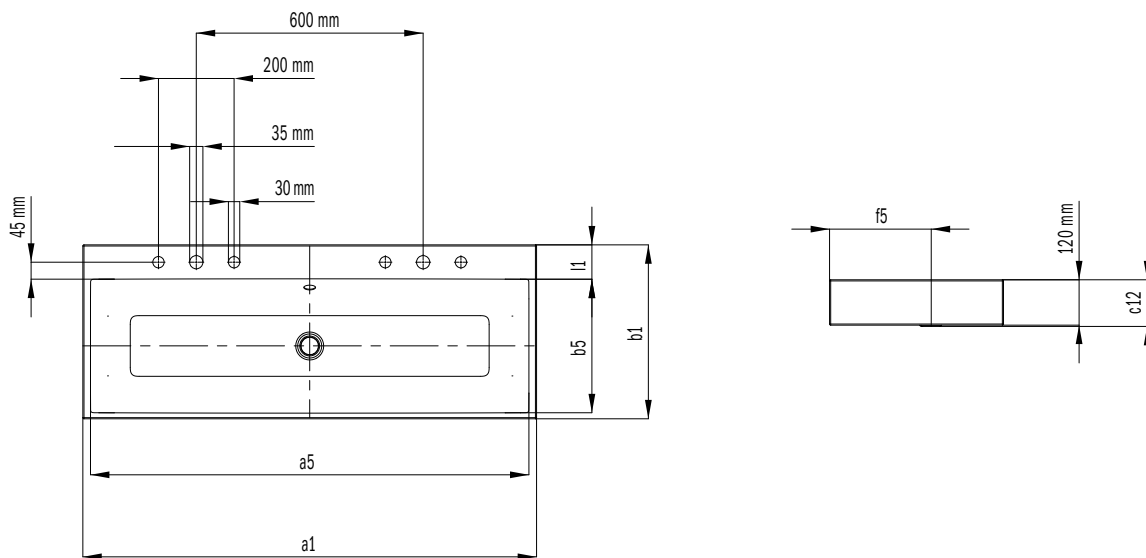
(RIM HEIGHT 120MM)



- Elegant rectangular washbasin in a classically minimalist design
- Reduced precise edges
- Very generous interior dimensions
- Clean and timeless lines – immortalised in long-lasting KALDEWEI steel enamel
- Harmonises perfectly with the PURO bath series
- Designed by Anke Salomon

Similar illustration

	ALPINE WHITE		BAHAMABEIGE		MANHATTAN		PERGAMON		BLACK		COORDINATED COLOURS	ALPINE WHITE MATT	WARM BEIGE 20	WARM BEIGE 40	WARM GREY 10	WARM GREY 30	WARM GREY 50	WARM GREY 60	WARM GREY 70	WARM GREY 80	WARM GREY 85	WARM GREY 90	COOL GREY 30	COOL GREY 40	COOL GREY 70	COOL GREY 80	COOL GREY 90	BLACK MATT 100
PURO	001	SANITARY COLOURS	030	199	231	701					711	661			668			671					663		665		667	676



Model	External length [mm]	Internal length [mm]	External width [mm]	Internal width [mm]	Distance basin surface to bottom edge of waste hole [mm]	External diameter [mm]	Inner diameter top [mm]	Outer diameter bottom	Distance rear edge to centre of waste hole [mm]	Depth of tap deck [mm]	External distance of fixing holes [mm]	Internal distance of fixing holes [mm]	Net weight [kg]
	a_1	a_5	b_1	b_5	c_{12}	d_7	d_8	d_9	f_5	l_1	n_1	n_2	
3168	1200	1160	460	354	125	-	-	-	268	91	-	-	23

	Model	Order No.	Dimensions (mm)	Alpine White (I)	Sanitary Colours (II, III)	Coord. Colours (IV)	EUR
PURO COUNTERTOP DOUBLE WASHBASIN (RIM HEIGHT 120 MM) with 2 x 1 tap hole including overflow fitting chrome, easy-clean finish, sound insulation enamelled on both sides with overflow	3168-D	9070 06043 xxx	1200 x 460 x 120	944.00	1,228.00	1,228.00	
2 x 1 tap hole, overflow set alpine white		xxxx 0721 xxxx		without extra charge	without extra charge	without extra charge	
2 x 1 tap hole, overflow set black matt 100		xxxx 0728 xxxx		without extra charge	without extra charge	without extra charge	
2 x 3 tap holes		xxxx 0605 xxxx		without extra charge	without extra charge	without extra charge	
2 x 3 tap holes, overflow set alpine white		xxxx 0722 xxxx		without extra charge	without extra charge	without extra charge	
2 x 3 tap holes, overflow set black matt 100		xxxx 0729 xxxx		without extra charge	without extra charge	without extra charge	

OPTIONAL: ACCESSORY•¹	Model	Order No.	Price	Alpine White (I)	Sanitary Colours (II, III)	Coord. Colours (IV)
Push-To-Open brass waste	3915					
alpine white		9105 0001 0001	88.50			
black matt 100		9105 0001 0676				88.50
chrome		9105 0001 0999	67.50			
Designer bottle trap	3908	9057 0000 0999	175.50			
Built-in soap dispenser	3916	9106 0001 0999	135.00			

PURO COUNTERTOP TWIN WASHBASIN

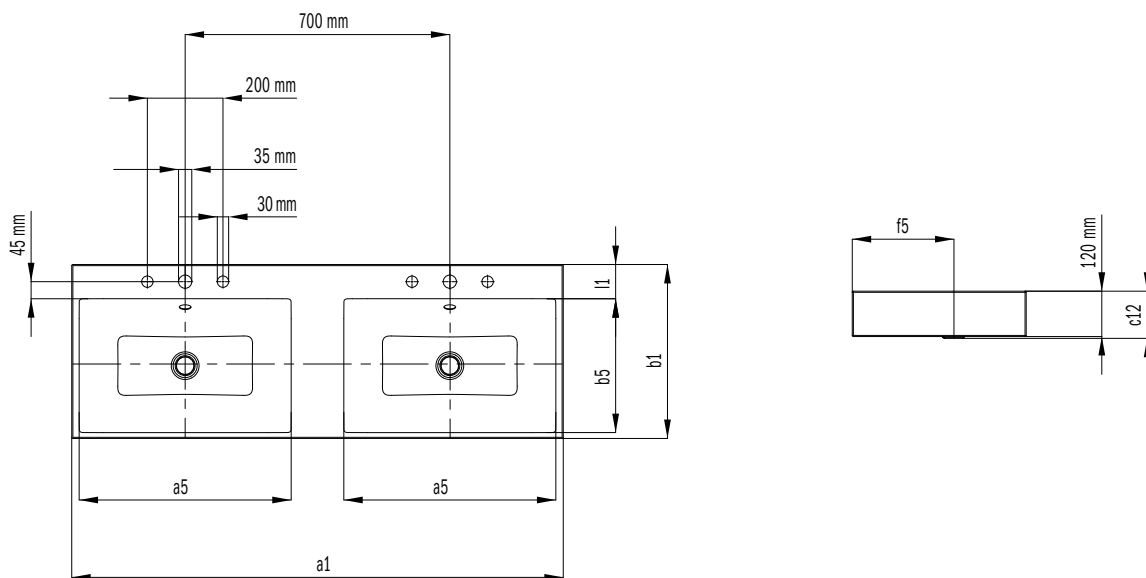
(RIM HEIGHT 120MM)



- Elegant rectangular washbasin in a classically minimalist design
- Reduced precise edges
- Very generous interior dimensions
- Clean and timeless lines – immortalised in long-lasting KALDEWEI steel enamel
- Harmonises perfectly with the PURO bath series
- Designed by Anke Salomon

Similar illustration

PURO	ALPINE WHITE	BAHAMABEIGE	MANHATTAN	PERGAMON	BLACK	COORDINATED COLOURS	ALPINE WHITE MATT	WARM BEIGE 20	WARM BEIGE 40	WARM GREY 10	WARM GREY 30	WARM GREY 50	WARM GREY 60	WARM GREY 70	WARM GREY 80	WARM GREY 85	WARM GREY 90	COOL GREY 30	COOL GREY 40	COOL GREY 70	COOL GREY 80	COOL GREY 90	BLACK MATT 100
	001	SANITARY COLOURS																					



Model	External length [mm]	Internal length [mm]	External width [mm]	Internal width [mm]	Distance basin surface to bottom edge of waste hole [mm]	External diameter [mm]	Inner diameter top [mm]	Outer diameter bottom	Distance rear edge to centre of waste hole [mm]	Depth of tap deck [mm]	External distance of fixing holes [mm]	Internal distance of fixing holes [mm]	Net weight [kg]
	a_1	a_5	b_1	b_5	c_{12}	d_7	d_8	d_9	f_5	l_1	n_1	n_2	
3171	1300	561	460	354	125	-	-	-	268	91	-	-	25

	Model	Order No.	Dimensions (mm)	Alpine White (I)	Sanitary Colours (II, III)	Coord. Colours (IV)	EUR
PURO COUNTERTOP TWIN WASHBASIN (RIM HEIGHT 120 MM) with 2 x 1 tap hole including overflow fitting chrome, easy-clean finish, sound insulation enamelled on both sides with overflow	3171	9072 0604 3001	1300 x 460 x 120	1,106.00			
2 x 1 tap hole, overflow set alpine white		xxxx 0721 xxxx		without extra charge			
2 x 1 tap hole, overflow set black matt 100		xxxx 0728 xxxx		without extra charge			
2 x 3 tap holes		xxxx 0605 xxxx		without extra charge			
2 x 3 tap holes, overflow set alpine white		xxxx 0722 xxxx		without extra charge			
2 x 3 tap holes, overflow set black matt 100		xxxx 0729 xxxx		without extra charge			
without tap hole		xxxx 0600 xxxx		without extra charge			
without tap hole, overflow set alpine white		xxxx 0718 xxxx		without extra charge			
without tap hole, overflow set black matt 100		xxxx 0725 xxxx		without extra charge			

OPTIONAL: ACCESSORY^{•1}	Model	Order No.	Price	Alpine White (I)	Sanitary Colours (II, III)	Coord. Colours (IV)
Push-To-Open brass waste	3915					
alpine white		9105 0001 0001	88.50			
black matt 100		9105 0001 0676				88.50
chrome		9105 0001 0999	67.50			
Designer bottle trap	3908	9057 0000 0999	175.50			
Built-in soap dispenser	3916	9106 0001 0999	135.00			

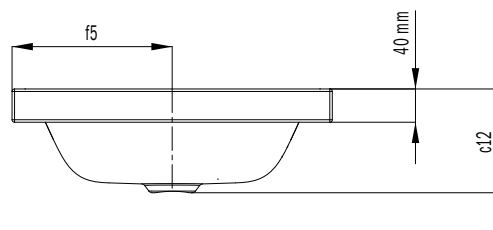
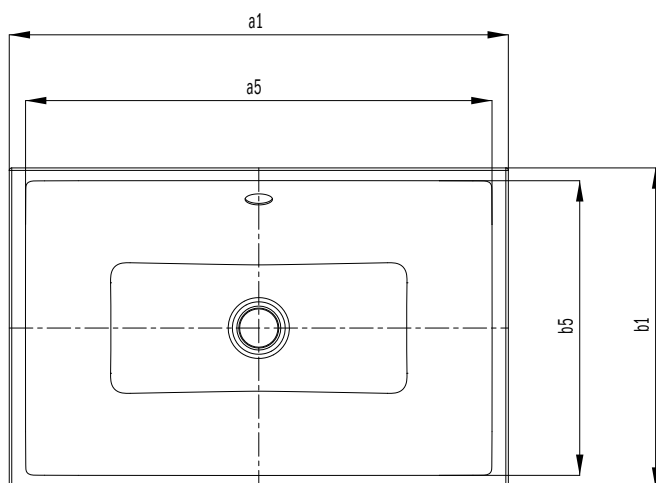
PURO S COUNTERTOP WASHBASIN

- Elegant rectangular washbasin in a classically minimalist design
- Reduced precise edges
- Very generous interior dimensions
- Clean and timeless lines – immortalised in long-lasting KALDEWEI steel enamel
- Harmonises perfectly with the PURO bath series
- Designed by Anke Salomon



Similar illustration

	ALPINE WHITE		BAHAMABEIGE	MANHATTAN	PERGAMON	BLACK	COORDINATED COLOURS	ALPINE WHITE MATT	WARM BEIGE 20	WARM BEIGE 40	WARM GREY 10	WARM GREY 30	WARM GREY 50	WARM GREY 60	WARM GREY 70	WARM GREY 80	WARM GREY 85	WARM GREY 90	COOL GREY 30	COOL GREY 40	COOL GREY 70	COOL GREY 80	COOL GREY 90	BLACK MATT 100
PURO	001	SANITARY COLOURS	030	199	231	701		711	661		668			671					663		665		667	676



Model	External length [mm]	Internal length [mm]	External width [mm]	Internal width [mm]	Distance basin surface to bottom edge of waste hole [mm]	External diameter [mm]	Inner diameter top [mm]	Outer diameter bottom	Distance rear edge to centre of waste hole [mm]	Depth of tap deck [mm]	External distance of fixing holes [mm]	Internal distance of fixing holes [mm]	Net weight [kg]
	a_1	a_5	b_1	b_5	c_{12}	d_7	d_8	d_9	f_5	l_1	n_1	n_2	
3173	600	561	385	354	125	-	-	-	193	-	-	-	8
3174	900	860	385	354	125	-	-	-	193	-	-	-	12

	Model	Order No.	Dimensions (mm)	EUR		
				Alpine White (I)	Sanitary Colours (II, III)	Coord. Colours (IV)
PURO S COUNTERTOP WASHBASIN (RIM HEIGHT 40 MM)	3173	9089 06003 xxx	600 x 385 x 40	503.00	654.00	654.00
with overflow fitting chrome, easy-clean finish and sound insulation, enamelled on both sides, with overflow without tap hole	3174	9090 06003 xxx	900 x 385 x 40	724.00	940.00	940.00
without tap hole, overflow set alpine white		xxxx 0718 xxxx		without extra charge	without extra charge	without extra charge
without tap hole, overflow set black matt 100		xxxx 0725 xxxx		without extra charge	without extra charge	without extra charge

OPTIONAL: ACCESSORY•¹	Model	Order No.	Price			
				Alpine White (I)	Sanitary Colours (II, III)	Coord. Colours (IV)
Push-To-Open brass waste	3915					
alpine white		9105 0001 0001	88.50			
black matt 100		9105 0001 0676				88.50
chrome		9105 0001 0999	67.50			
Designer bottle trap	3908	9057 0000 0999	175.50			

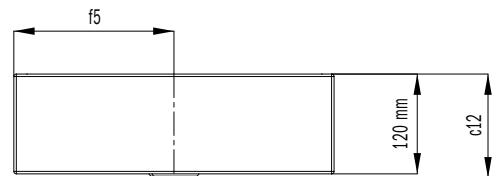
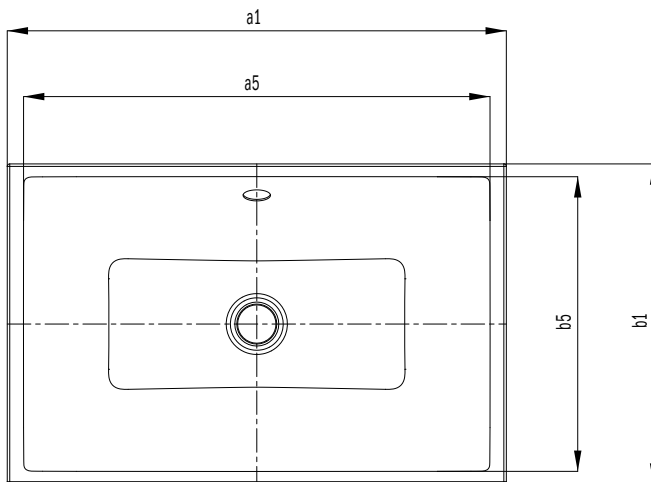
PURO S COUNTERTOP WASHBASIN

- Elegant rectangular washbasin in a classically minimalist design
- Reduced precise edges
- Very generous interior dimensions
- Clean and timeless lines – immortalised in long-lasting KALDEWEI steel enamel
- Harmonises perfectly with the PURO bath series
- Designed by Anke Salomon



Similar illustration

	ALPINE WHITE		BAHAMABEIGE		MANHATTAN		PERGAMON		BLACK		COORDINATED COLOURS	ALPINE WHITE MATT	WARM BEIGE 20	WARM BEIGE 40	WARM GREY 10	WARM GREY 30	WARM GREY 50	WARM GREY 60	WARM GREY 70	WARM GREY 80	WARM GREY 85	WARM GREY 90	COOL GREY 30	COOL GREY 40	COOL GREY 70	COOL GREY 80	COOL GREY 90	BLACK MATT 100
PURO	001	SANITARY COLOURS	030	199	231	701						711	661		668			671					663		665		667	676



Model	External length [mm]	Internal length [mm]	External width [mm]	Internal width [mm]	Distance basin surface to bottom edge of waste hole [mm]	External diameter [mm]	Inner diameter top [mm]	Outer diameter bottom	Distance rear edge to centre of waste hole [mm]	Depth of tap deck [mm]	External distance of fixing holes [mm]	Internal distance of fixing holes [mm]	Net weight [kg]
	a_1	a_5	b_1	b_5	c_{12}	d_7	d_8	d_9	f_5	l_1	n_1	n_2	
3175	600	561	385	354	125	-	-	-	193	-	-	-	12
3176	900	860	385	354	125	-	-	-	193	-	-	-	16

	Model	Order No.	Dimensions (mm)	EUR		
				Alpine White (I)	Sanitary Colours (II, III)	Coord. Colours (IV)
PURO S COUNTERTOP WASHBASIN (RIM HEIGHT 120 MM)	3175	9091 0600 3xxx	600 x 385 x 120	503.00	654.00	654.00
with overflow fitting chrome, easy-clean finish and sound insulation, enamelled on both sides, with overflow without tap hole	3176	9092 0600 3xxx	900 x 385 x 120	724.00	940.00	940.00
without tap hole, overflow set alpine white		xxxx 0718 xxxx		without extra charge	without extra charge	without extra charge
without tap hole, overflow set black matt 100		xxxx 0725 xxxx		without extra charge	without extra charge	without extra charge

OPTIONAL: ACCESSORY•¹	Model	Order No.	Price			
				Alpine White (I)	Sanitary Colours (II, III)	Coord. Colours (IV)
Push-To-Open brass waste	3915					
alpine white		9105 0001 0001	88.50			
black matt 100		9105 0001 0676				88.50
chrome		9105 0001 0999	67.50			
Designer bottle trap	3908	9057 0000 0999	175.50			

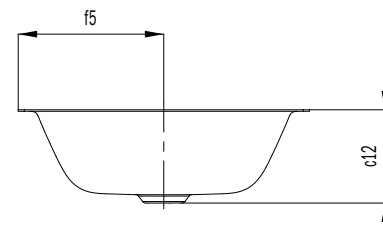
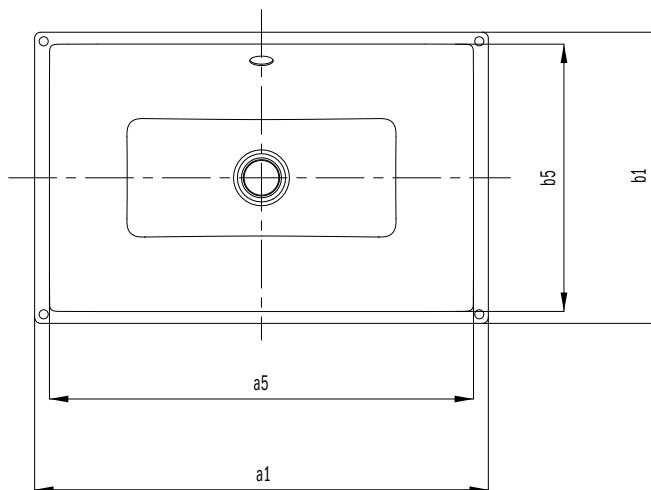
PURO UNDERCOUNTER WASHBASIN

- Elegant rectangular washbasin in a classically minimalist design
- Very generous interior dimensions
- Reduced precise edges
- Clean and timeless lines – immortalised in long-lasting KALDEWEI steel enamel
- Harmonises perfectly with the PURO bath series
- Designed by Anke Salomon



Similar illustration

	ALPINE WHITE	SANITARY COLOURS				COORDINATED COLOURS	ALPINE WHITE MATT	WARM BEIGE 20	WARM BEIGE 40	WARM GREY 10	WARM GREY 30	WARM GREY 50	WARM GREY 60	WARM GREY 70	WARM GREY 80	WARM GREY 85	WARM GREY 90	COOL GREY 30	COOL GREY 40	COOL GREY 70	COOL GREY 80	COOL GREY 90	BLACK MATT 100
PURO	001	030	199	231	701	711	661		668			671						663		665		667	676



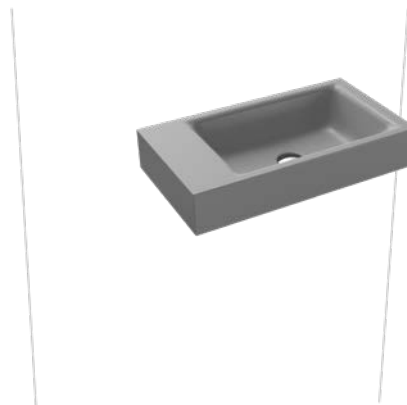
Model	External length [mm]	Internal length [mm]	External width [mm]	Internal width [mm]	Distance basin surface to bottom edge of waste hole [mm]	External diameter [mm]	Inner diameter top [mm]	Outer diameter bottom	Distance rear edge to centre of waste hole [mm]	Depth of tap deck [mm]	External distance of fixing holes [mm]	Internal distance of fixing holes [mm]	Net weight [kg]
	a ₁	a ₅	b ₁	b ₅	c ₁₂	d ₇	d ₈	d ₉	f ₅	l ₁	n ₁	n ₂	
3159	460	421	385	354	115	-	-	-	193	-	-	-	5
3160	600	561	385	354	125	-	-	-	193	-	-	-	6
3161	900	860	385	354	125	-	-	-	193	-	-	-	9

	Model	Order No.	Dimensions (mm)	Alpine White (I)	Sanitary Colours (II, III)	EUR Coord. Colours (IV)
PURO UNDERCOUNTER WASHBASIN	3159	9009 0600 3xxx	460 x 385	363.00	472.00	472.00
with overflow fitting chrome, easy-clean finish	3160	9010 0600 3xxx	600 x 385	477.00	621.00	621.00
and sound insulation, enamelled on both	3161	9011 0600 3xxx	900 x 385	688.00	893.00	893.00
sides, with overflow						
without tap hole						
without tap hole, overflow set alpine white		xxxx 0718 xxxx		without extra charge	without extra charge	without extra charge
without tap hole, overflow set black matt 100		xxxx 0725 xxxx		without extra charge	without extra charge	without extra charge

OPTIONAL: ACCESSORY•¹	Model	Order No.	Price	Alpine White (I)	Sanitary Colours (II, III)	EUR Coord. Colours (IV)
Push-To-Open brass waste	3915					
alpine white		9105 0001 0001		88.50		
black matt 100		9105 0001 0676				88.50
chrome		9105 0001 0999	67.50			
Designer bottle trap	3908	9057 0000 0999	175.50			

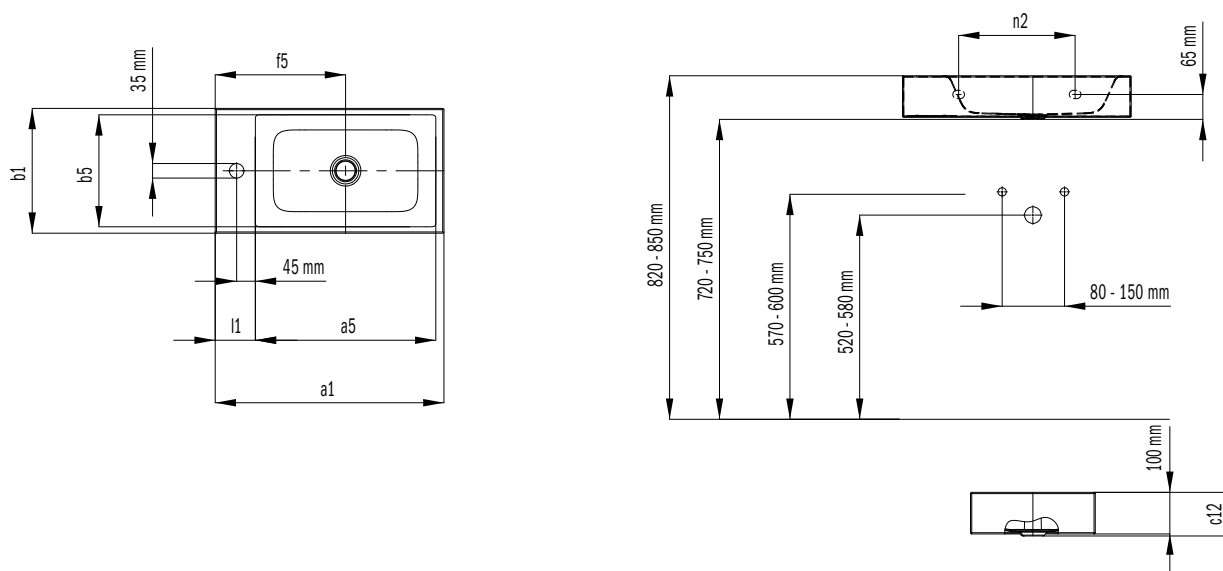
PURO WALL-HUNG WASHBASIN

- Elegant rectangular washbasin in a classically minimalist design
- Reduced precise edges
- Clean and timeless lines – immortalised in long-lasting KALDEWEI steel enamel
- Harmonises perfectly with the PURO bath series
- Designed by Anke Salomon



Similar illustration

	ALPINE WHITE		BAHAMABEIGE		MANHATTAN		PERGAMON		BLACK		COORDINATED COLOURS	ALPINE WHITE MATT	WARM BEIGE 20	WARM BEIGE 40	WARM GREY 10	WARM GREY 30	WARM GREY 50	WARM GREY 60	WARM GREY 70	WARM GREY 80	WARM GREY 85	WARM GREY 90	COOL GREY 30	COOL GREY 40	COOL GREY 70	COOL GREY 80	COOL GREY 90	BLACK MATT 100
PURO	001	SANITARY COLOURS	030	199	231	701					711	661			668			671					663		665		667	676



Model	External length [mm]	Internal length [mm]	External width [mm]	Internal width [mm]	Distance basin surface to bottom edge of waste hole [mm]	External diameter [mm]	Inner diameter top [mm]	Outer diameter bottom	Distance rear edge to centre of waste hole [mm]	Depth of tap deck [mm]	External distance of fixing holes [mm]	Internal distance of fixing holes [mm]	Net weight [kg]
	a_1	a_5	b_1	b_5	c_{12}	d_7	d_8	d_9	f_5	l_1	n_1	n_2	
3162	550	434	300	269	105	-	-	-	314	97	-	280	8

	Model	Order No.	Dimensions (mm)	Alpine White (I)	Sanitary Colours (II, III)	Coord. Colours (IV)	EUR
PURO WALL-MOUNTED WASHBASIN tap hole right with 1 x 1 tap hole with easy-clean finish, sound insulation and sound insulation tape enamelled on both sides without overflow	3162	9012 0630 3xxx	550 x 300 x 100	322.00	418.00		418.00
tap hole ledge left, with 1 x 1 tap hole		xxxx 0639 xxxx		without extra charge	without extra charge		without extra charge
tap hole ledge left, without tap hole		xxxx 0643 xxxx		without extra charge	without extra charge		without extra charge
without tap hole, without overflow		xxxx 0631 xxxx		without extra charge	without extra charge		without extra charge

OPTIONAL: ACCESSORY•¹	Model	Order No.	Price	Alpine White (I)	Sanitary Colours (II, III)	Coord. Colours (IV)
Brass permanent drain valve for washbasins without overflow	3917					
alpine white		9107 0001 0001	81.00			
black matt 100		9107 0001 0676				81.00
chrome		9107 0001 0999	62.50			
Designer bottle trap	3908	9057 0000 0999	175.50			

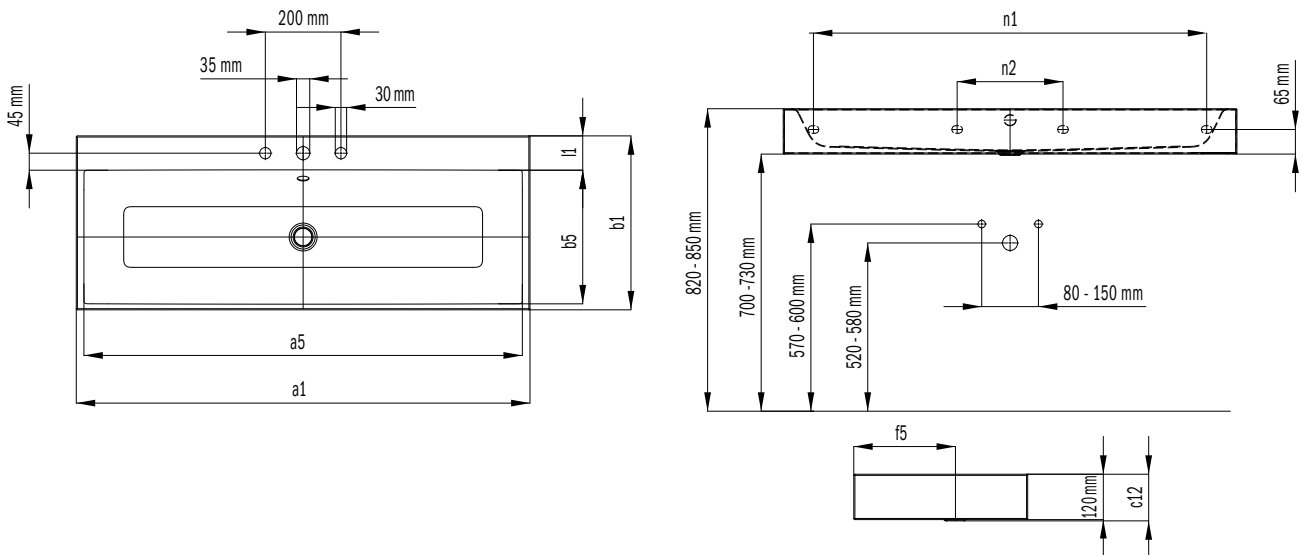
PURO WALL-HUNG WASHBASIN

- Elegant rectangular washbasin in a classically minimalist design
- Reduced precise edges
- Very generous interior dimensions
- Clean and timeless lines – immortalised in long-lasting KALDEWEI steel enamel
- Harmonises perfectly with the PURO bath series
- Designed by Anke Salomon



Similar illustration

	ALPINE WHITE 001	SANITARY COLOURS	BAHAMABEIGE 030	MANHATTAN 199	PERGAMON 231	BLACK 701	COORDINATED COLOURS	ALPINE WHITE MATT 711	WARM BEIGE 20 661	WARM BEIGE 40 668	WARM GREY 10	WARM GREY 30	WARM GREY 50	WARM GREY 60 671	WARM GREY 70	WARM GREY 80	WARM GREY 85	WARM GREY 90	COOL GREY 30 663	COOL GREY 40	COOL GREY 70 665	COOL GREY 80	COOL GREY 90 667	BLACK MATT 100 676
PURO																								



Model	External length [mm]	Internal length [mm]	External width [mm]	Internal width [mm]	Distance basin surface to bottom edge of waste hole [mm]	External diameter [mm]	Inner diameter top [mm]	Outer diameter bottom	Distance rear edge to centre of waste hole [mm]	Depth of tap deck [mm]	External distance of fixing holes [mm]	Internal distance of fixing holes [mm]	Net weight [kg]
	a ₁	a ₅	b ₁	b ₅	c ₁₂	d ₇	d ₈	d ₉	f ₅	l ₁	n ₁	n ₂	
3163	460	420	460	345	115	-	-	-	268	91		280	11
3164	600	560	460	345	125	-	-	-	268	91		280	13
3165	900	860	460	345	125	-	-	-	268	91	780	280	17
3167	1200	1160	460	354	125	-	-	-	268	91	1040	280	23

	Model	Order No.	Dimensions (mm)	Alpine White (I)	Sanitary Colours (II, III)	Coord. Colours (IV)	EUR
PURO WALL-HUNG WASHBASIN	3163	9013 06013 xxx	460 x 460 x 120	382.00	497.00		497.00
with 1 x 1 tap hole	3164	9014 06013 xxx	600 x 460 x 120	503.00	654.00		654.00
with overflow fitting chrome, easy-clean finish, sound insulation and sound insulation tape	3165	9015 06013 xxx	900 x 460 x 120	724.00	940.00		940.00
enamelled on both sides with overflow	3167	9068 06013 xxx	1200 x 460 x 120	944.00	1,228.00		1,228.00
1 x 1 tap hole, overflow set alpine white		xxxx 0719 xxxx		without extra charge	without extra charge		without extra charge
1 x 1 tap hole, overflow set black matt 100		xxxx 0726 xxxx		without extra charge	without extra charge		without extra charge
1 x 3 tap holes		xxxx 0603 xxxx		without extra charge	without extra charge		without extra charge
1 x 3 tap holes, overflow set alpine white		xxxx 0720 xxxx		without extra charge	without extra charge		without extra charge
1 x 3 tap hole, overflow set black matt 100		xxxx 0727 xxxx		without extra charge	without extra charge		without extra charge
without tap hole		xxxx 0600 xxxx		without extra charge	without extra charge		without extra charge
without tap hole, overflow set alpine white		xxxx 0718 xxxx		without extra charge	without extra charge		without extra charge
without tap hole, overflow set black matt 100		xxxx 0725 xxxx		without extra charge	without extra charge		without extra charge

OPTIONAL: ACCESSORY•¹	Model	Order No.	Price	Alpine White (I)	Sanitary Colours (II, III)	Coord. Colours (IV)
Push-To-Open brass waste	3915					
alpine white		9105 0001 0001		88.50		
black matt 100		9105 0001 0676				88.50
chrome		9105 0001 0999	67.50			
Designer bottle trap	3908	9057 0000 0999	175.50			
Built-in soap dispenser	3916	9106 0001 0999	135.00			

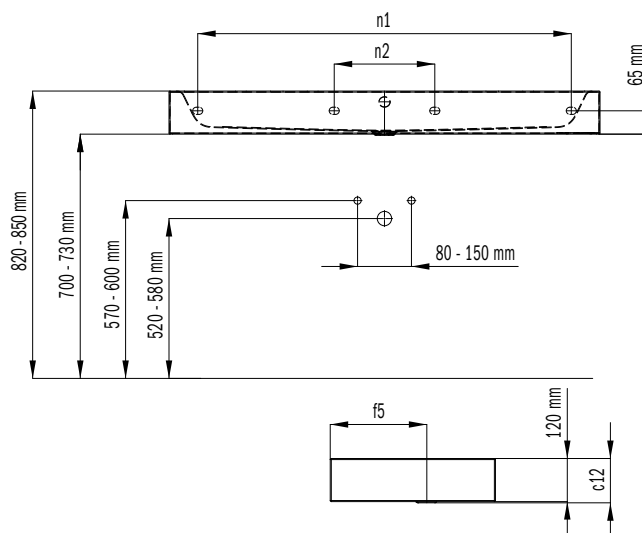
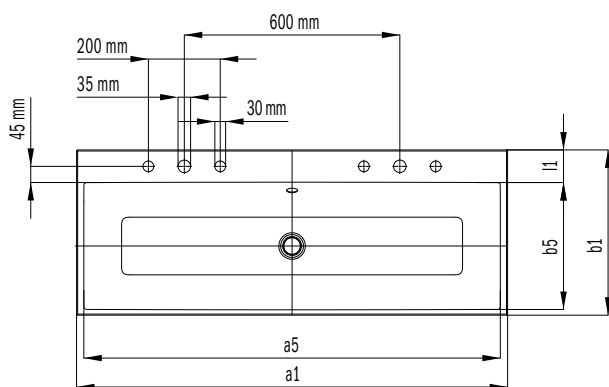
PURO WALL-HUNG DOUBLE WASHBASIN

- Elegant rectangular washbasin in a classically minimalist design
- Reduced precise edges
- Very generous interior dimensions
- Clean and timeless lines – immortalised in long-lasting KALDEWEI steel enamel
- Harmonises perfectly with the PURO bath series
- Designed by Anke Salomon



Similar illustration

	ALPINE WHITE 001	SANITARY COLOURS	BAHAMABEIGE 030	MANHATTAN 199	PERGAMON 231	BLACK 701	COORDINATED COLOURS	ALPINE WHITE MATT 711	WARM BEIGE 20 661	WARM BEIGE 40	WARM GREY 10 668	WARM GREY 30	WARM GREY 50	WARM GREY 60 671	WARM GREY 70	WARM GREY 80	WARM GREY 85	WARM GREY 90	COOL GREY 30 663	COOL GREY 40	COOL GREY 70 665	COOL GREY 80	COOL GREY 90 667	BLACK MATT 100 676
PURO																								



Model	External length [mm]	Internal length [mm]	External width [mm]	Internal width [mm]	Distance basin surface to bottom edge of waste hole [mm]	External diameter [mm]	Inner diameter top [mm]	Outer diameter bottom	Distance rear edge to centre of waste hole [mm]	Depth of tap deck [mm]	External distance of fixing holes [mm]	Internal distance of fixing holes [mm]	Net weight [kg]
	a_1	a_5	b_1	b_5	$c_{1,2}$	d_7	d_8	d_9	f_5	l_1	n_1	n_2	
3167	1200	1160	460	354	125	-	-	-	268	91	1040	280	23

	Model	Order No.	Dimensions (mm)	Alpine White (I)	Sanitary Colours (II, III)	EUR Coord. Colours (IV)
PURO WALL-HUNG DOUBLE WASHBASIN with 2 x 1 tap hole, with overflow fitting chrome, easy-clean finish, sound insulation and connection sound insulation tape, enamelled on both sides, with overflow	3167-D	9068 06043 xxx	1200 x 460 x 120	944.00	1,228.00	1,228.00
2 x 1 tap hole, overflow set alpine white		xxxx 0721 xxxx		without extra charge	without extra charge	without extra charge
2 x 1 tap hole, overflow set black matt 100		xxxx 0728 xxxx		without extra charge	without extra charge	without extra charge
2 x 3 tap holes		xxxx 0605 xxxx		without extra charge	without extra charge	without extra charge
2 x 3 tap holes, overflow set alpine white		xxxx 0722 xxxx		without extra charge	without extra charge	without extra charge
2 x 3 tap holes, overflow set black matt 100		xxxx 0729 xxxx		without extra charge	without extra charge	without extra charge

OPTIONAL: ACCESSORY•¹	Model	Order No.	Price	Alpine White (I)	Sanitary Colours (II, III)	EUR Coord. Colours (IV)
Push-To-Open brass waste	3915					
alpine white		9105 0001 0001		88.50		
black matt 100		9105 0001 0676				88.50
chrome		9105 0001 0999	67.50			
Designer bottle trap	3908	9057 0000 0999	175.50			
Built-in soap dispenser	3916	9106 0001 0999	135.00			

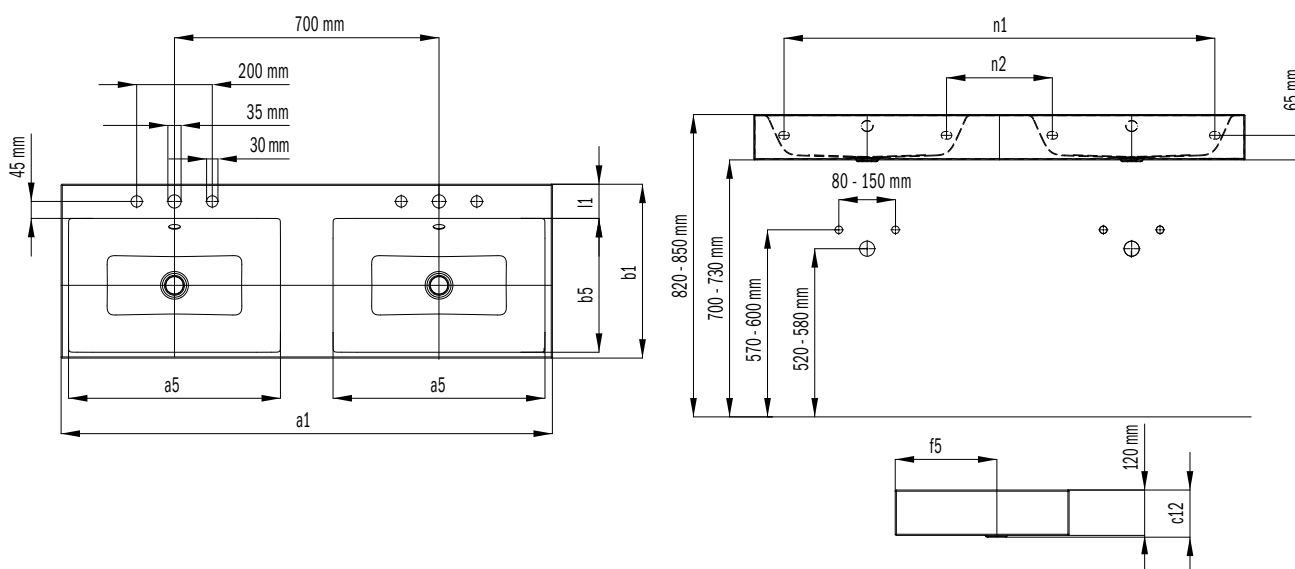
PURO WALL-HUNG DOUBLE WASHBASIN

- Elegant rectangular washbasin in a classically minimalist design
- Reduced precise edges
- Very generous interior dimensions
- Clean and timeless lines – immortalised in long-lasting KALDEWEI steel enamel
- Harmonises perfectly with the PURO bath series
- Designed by Anke Salomon



Similar illustration

PURO	ALPINE WHITE	BAHAMABEIGE	MANHATTAN	PERGAMON	BLACK	COORDINATED COLOURS	ALPINE WHITE MATT	WARM BEIGE 20	WARM BEIGE 40	WARM GREY 10	WARM GREY 30	WARM GREY 50	WARM GREY 60	WARM GREY 70	WARM GREY 80	WARM GREY 85	WARM GREY 90	COOL GREY 30	COOL GREY 40	COOL GREY 70	COOL GREY 80	COOL GREY 90	BLACK MATT 100
	001	SANITARY COLOURS																					



Model	External length [mm]	Internal length [mm]	External width [mm]	Internal width [mm]	Distance basin surface to bottom edge of waste hole [mm]	External diameter [mm]	Inner diameter top [mm]	Outer diameter bottom	Distance rear edge to centre of waste hole [mm]	Depth of tap deck [mm]	External distance of fixing holes [mm]	Internal distance of fixing holes [mm]	Net weight [kg]
	a_1	a_5	b_1	b_5	$c_{1,2}$	d_7	d_8	d_9	f_5	l_1	n_1	n_2	
3170	1300	560	460	354	125	-	-	-	268	91	1140	280	25

	Model	Order No.	Dimensions (mm)	Alpine White (I)	Sanitary Colours (II, III)	Coord. Colours (IV)	EUR
PURO WALL-HUNG DOUBLE WASHBASIN	3170	9067 0604 3001	1300 x 460 x 120	1,106.00			
with 2 x 1 tap hole with chrome overflow fittings, easy-clean finish, sound insulation and sound insulation tape enamelled on both sides with overflow							
2 x 1 tap hole, overflow set alpine white		xxxx 0721 xxxx		without extra charge			
2 x 1 tap hole, overflow set black matt 100		xxxx 0728 xxxx		without extra charge			
2 x 3 tap holes		xxxx 0605 xxxx		without extra charge			
2 x 3 tap holes, overflow set alpine white		xxxx 0722 xxxx		without extra charge			
2 x 3 tap holes, overflow set black matt 100		xxxx 0729 xxxx		without extra charge			
without tap hole		xxxx 0600 xxxx		without extra charge			
without tap hole, overflow set alpine white		xxxx 0718 xxxx		without extra charge			
without tap hole, overflow set black matt 100		xxxx 0725 xxxx		without extra charge			

OPTIONAL: ACCESSORY•¹	Model	Order No.	Price	Alpine White (I)	Sanitary Colours (II, III)	Coord. Colours (IV)
Push-To-Open brass waste	3915					
alpine white		9105 0001 0001	88.50			
black matt 100		9105 0001 0676				88.50
chrome		9105 0001 0999	67.50			
Designer bottle trap	3908	9057 0000 0999	175.50			
Built-in soap dispenser	3916	9106 0001 0999	135.00			

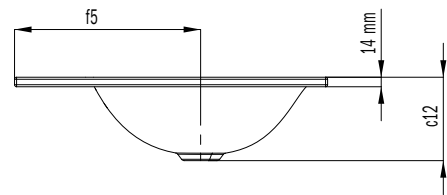
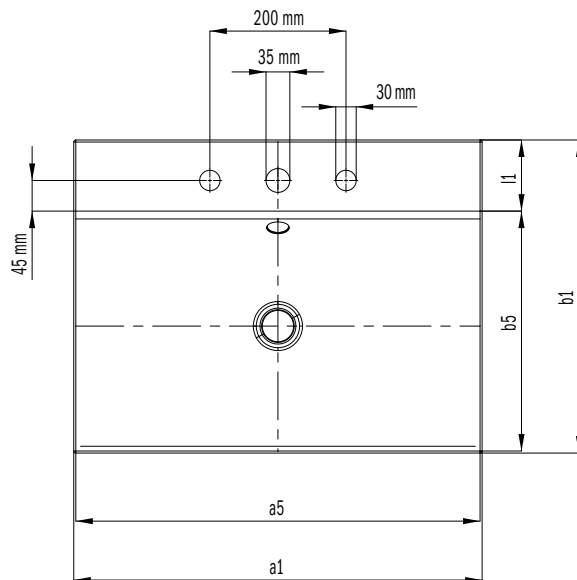
SILENIO BUILT-IN WASHBASIN

- Fluid and sensually modern design all at once
- Optimum comfort through generous dimensioning of the washbasin
- Soft, organic interior shape
- Geometry allows fittings with short spout leaving ample space for washing
- Together with the SILENIO bath and SCONA shower surface, they form a perfect bathroom fitted out entirely with steel enamel
- Designed by Anke Salomon



Similar illustration

	ALPINE WHITE 001	SANITARY COLOURS	BAHAMABEIGE 030	MANHATTAN 199	PERGAMON 231	BLACK 701	COORDINATED COLOURS	ALPINE WHITE MATT 711	WARM BEIGE 20 661	WARM BEIGE 40	WARM GREY 10 668	WARM GREY 30	WARM GREY 50	WARM GREY 60 671	WARM GREY 70	WARM GREY 80	WARM GREY 85	WARM GREY 90	COOL GREY 30 663	COOL GREY 40	COOL GREY 70 665	COOL GREY 80	COOL GREY 90 667	BLACK MATT 100 676
SILENIO																								



Model	External length [mm]	Internal length [mm]	External width [mm]	Internal width [mm]	Distance basin surface to bottom edge of waste hole [mm]	External diameter [mm]	Inner diameter top [mm]	Outer diameter bottom	Distance rear edge to centre of waste hole [mm]	Depth of tap deck [mm]	External distance of fixing holes [mm]	Internal distance of fixing holes [mm]	Net weight [kg]
	a ₁	a ₅	b ₁	b ₅	c ₁₂	d ₇	d ₈	d ₉	f ₅	l ₁	n ₁	n ₂	
3037	600	594	460	353	123	-	-	-	274	105	-	-	7
3038	900	894	460	353	123	-	-	-	274	105	-	-	10
3039	1200	1194	460	353	123	-	-	-	274	105	-	-	14

	Model	Order No.	Dimensions (mm)	Alpine White (I)	Sanitary Colours (II, III)	EUR Coord. Colours (IV)
SILENIO BUILT-IN WASHBASIN	3037	9077 0601 3xxx	600 x 460 x 14	621.00	809.00	809.00
with overflow	3038	9078 0601 3xxx	900 x 460 x 14	854.00	1,109.00	1,109.00
with 1 x 1 tap hole	3039	9079 0601 3xxx	1200 x 460 x 14	1,012.00	1,314.00	1,314.00
including overflow fitting chrome, easy-clean finish and sound insulation enamelled on both sides						
1 x 1 tap hole, overflow set alpine white		xxxx 0719 xxxx		without extra charge	without extra charge	without extra charge
1 x 1 tap hole, overflow set black matt 100		xxxx 0726 xxxx		without extra charge	without extra charge	without extra charge
1 x 3 tap holes		xxxx 0603 xxxx		without extra charge	without extra charge	without extra charge
1 x 3 tap holes, overflow set alpine white		xxxx 0720 xxxx		without extra charge	without extra charge	without extra charge
1 x 3 tap hole, overflow set black matt 100		xxxx 0727 xxxx		without extra charge	without extra charge	without extra charge
without tap hole		xxxx 0600 xxxx		without extra charge	without extra charge	without extra charge
without tap hole, overflow set alpine white		xxxx 0718 xxxx		without extra charge	without extra charge	without extra charge
without tap hole, overflow set black matt 100		xxxx 0725 xxxx		without extra charge	without extra charge	without extra charge
without tap hole, without overflow		xxxx 0631 xxxx		without extra charge	without extra charge	without extra charge
without overflow, with 1 x 1 tap hole		xxxx 0630 xxxx		without extra charge	without extra charge	without extra charge
without overflow, with 1 x 3 tap holes		xxxx 0627 xxxx		without extra charge	without extra charge	without extra charge

OPTIONAL: ACCESSORY*¹	Model	Order No.	Price	Alpine White (I)	Sanitary Colours (II, III)	EUR Coord. Colours (IV)
Push-To-Open brass waste	3915					
alpine white		9105 0001 0001		88.50		
black matt 100		9105 0001 0676				88.50
chrome		9105 0001 0999	67.50			
Brass permanent drain valve for washbasins without overflow	3917					
alpine white		9107 0001 0001		81.00		
black matt 100		9107 0001 0676				81.00
chrome		9107 0001 0999	62.50			
Designer bottle trap	3908	9057 0000 0999	175.50			
Built-in soap dispenser	3916	9106 0001 0999	135.00			

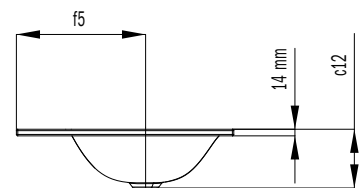
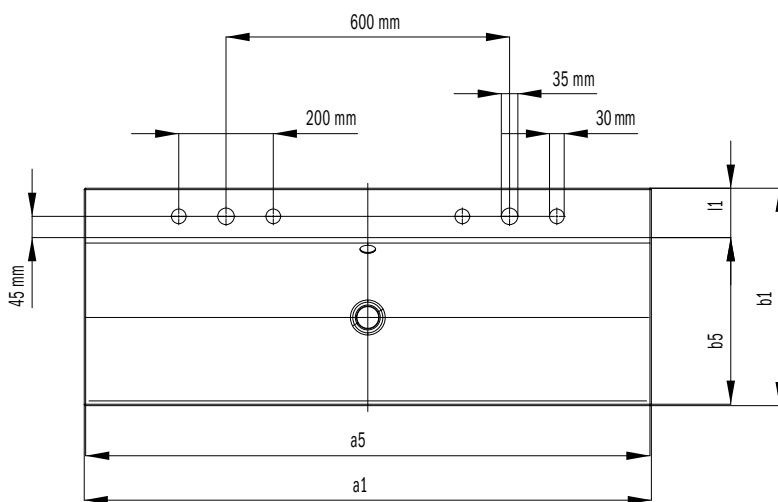
SILENIO BUILT-IN DOUBLE WASHBASIN

- Fluid and sensually modern design all at once
- Optimum comfort through generous dimensioning of the washbasin
- Soft, organic interior shape
- Geometry allows fittings with short spout leaving ample space for washing
- Together with the SILENIO bath and SCONA shower surface, they form a perfect bathroom fitted out entirely with steel enamel
- Designed by Anke Salomon



Similar illustration

	ALPINE WHITE		BAHAMABEIGE	MANHATTAN	PERGAMON	BLACK	COORDINATED COLOURS	ALPINE WHITE MATT	WARM BEIGE 20	WARM BEIGE 40	WARM GREY 10	WARM GREY 30	WARM GREY 50	WARM GREY 60	WARM GREY 70	WARM GREY 80	WARM GREY 85	WARM GREY 90	COOL GREY 30	COOL GREY 40	COOL GREY 70	COOL GREY 80	COOL GREY 90	BLACK MATT 100
SILENIO	001	SANITARY COLOURS	030	199	231	701		711	661		668			671					663		665		667	676



Model	External length [mm]	Internal length [mm]	External width [mm]	Internal width [mm]	Distance basin surface to bottom edge of waste hole [mm]	External diameter [mm]	Inner diameter top [mm]	Outer diameter bottom	Distance rear edge to centre of waste hole [mm]	Depth of tap deck [mm]	External distance of fixing holes [mm]	Internal distance of fixing holes [mm]	Net weight [kg]
	a_1	a_5	b_1	b_5	$c_{1,2}$	d_7	d_8	d_9	f_5	l_1	n_1	n_2	
3039	1200	1194	460	353	123	-	-	-	274	105	-	-	14

	Model	Order No.	Dimensions (mm)	Alpine White (I)	Sanitary Colours (II, III)	EUR Coord. Colours (IV)
SILENIO BUILT-IN DOUBLE WASHBASIN with overflow with 2 x 1 tap hole including overflow fitting chrome, easy-clean finish and sound insulation enamelled on both sides	3039-D	9079 06043 xxx	1200 x 460 x 14	1,012.00	1,314.00	1,314.00
2 x 3 tap holes		xxxx 0605 xxxx		without extra charge	without extra charge	without extra charge
without overflow, with 2 x 1 tap hole		xxxx 0636 xxxx		without extra charge	without extra charge	without extra charge
without overflow, with 2 x 3 tap holes		xxxx 0637 xxxx		without extra charge	without extra charge	without extra charge
2 x 1 tap hole, overflow set alpine white		xxxx 0721 xxxx		without extra charge	without extra charge	without extra charge
2 x 3 tap holes, overflow set alpine white		xxxx 0722 xxxx		without extra charge	without extra charge	without extra charge
2 x 1 tap hole, overflow set black matt 100		xxxx 0728 xxxx		without extra charge	without extra charge	without extra charge
2 x 3 tap holes, overflow set black matt 100		xxxx 0729 xxxx		without extra charge	without extra charge	without extra charge

OPTIONAL: ACCESSORY•¹	Model	Order No.	Price	Alpine White (I)	Sanitary Colours (II, III)	Coord. Colours (IV)
Push-To-Open brass waste	3915					
alpine white		9105 0001 0001	88.50			
black matt 100		9105 0001 0676				88.50
chrome		9105 0001 0999	67.50			
Brass permanent drain valve for washbasins without overflow	3917					
alpine white		9107 0001 0001	81.00			
black matt 100		9107 0001 0676				81.00
chrome		9107 0001 0999	62.50			
Designer bottle trap	3908	9057 0000 0999	175.50			
Built-in soap dispenser	3916	9106 0001 0999	135.00			

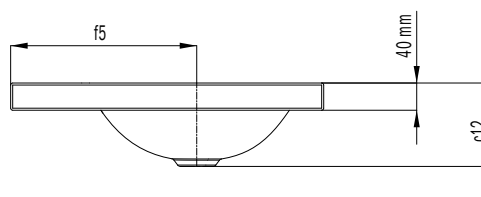
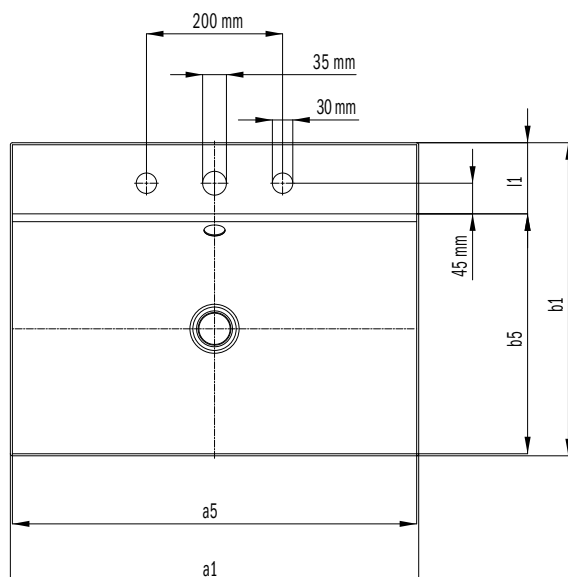
SILENIO COUNTERTOP WASHBASIN

- Fluid and sensually modern design all at once
- Optimum comfort through generous dimensioning of the washbasin
- Soft, organic interior shape
- Geometry allows fittings with short spout leaving ample space for washing
- Together with the SILENIO bath and SCONA shower surface, they form a perfect bathroom fitted out entirely with steel enamel
- Designed by Anke Salomon



Similar illustration

SILENIO	ALPINE WHITE	SANITARY COLOURS				COORDINATED COLOURS																	
	001	BAHAMABEIGE 030	MANHATTAN 199	PERGAMON 231	BLACK 701	ALPINE WHITE MATT 711	WARM BEIGE 20 661	WARM BEIGE 40 668	WARM GREY 10	WARM GREY 30	WARM GREY 50	WARM GREY 60 671	WARM GREY 70	WARM GREY 80	WARM GREY 85	WARM GREY 90	COOL GREY 30 663	COOL GREY 40	COOL GREY 70 665	COOL GREY 80	COOL GREY 90 667	BLACK MATT 100 676	



Model	External length [mm]	Internal length [mm]	External width [mm]	Internal width [mm]	Distance basin surface to bottom edge of waste hole [mm]	External diameter [mm]	Inner diameter top [mm]	Outer diameter bottom	Distance rear edge to centre of waste hole [mm]	Depth of tap deck [mm]	External distance of fixing holes [mm]	Internal distance of fixing holes [mm]	Net weight [kg]
	a_1	a_5	b_1	b_5	c_{12}	d_7	d_8	d_9	f_5	l_1	n_1	n_2	
3040	600	594	460	353	123	-	-	-	273	105	-	-	8
3041	900	894	460	353	123	-	-	-	273	105	-	-	11

	Model	Order No.	Dimensions (mm)	EUR		
				Alpine White (I)	Sanitary Colours (II, III)	Coord. Colours (IV)
SILENIO COUNTERTOP WASHBASIN (RIM HEIGHT 40 MM) with overflow with 1 x 1 tap hole with overflow fitting chrome, easy-clean finish and sound insulation enamelled on both sides	3040	9039 06013 xxx	600 x 460 x 40	621.00	809.00	809.00
	3041	9040 06013 xxx	900 x 460 x 40	854.00	1,109.00	1,109.00
1 x 1 tap hole, overflow set alpine white		xxxx 0719 xxxx		without extra charge	without extra charge	without extra charge
1 x 1 tap hole, overflow set black matt 100		xxxx 0726 xxxx		without extra charge	without extra charge	without extra charge
1 x 3 tap holes		xxxx 0603 xxxx		without extra charge	without extra charge	without extra charge
1 x 3 tap holes, overflow set alpine white		xxxx 0720 xxxx		without extra charge	without extra charge	without extra charge
1 x 3 tap hole, overflow set black matt 100		xxxx 0727 xxxx		without extra charge	without extra charge	without extra charge
without tap hole		xxxx 0600 xxxx		without extra charge	without extra charge	without extra charge
without overflow, with 1 x 1 tap hole		xxxx 0630 xxxx		without extra charge	without extra charge	without extra charge
without overflow, with 1 x 3 tap holes		xxxx 0627 xxxx		without extra charge	without extra charge	without extra charge
without tap hole, without overflow		xxxx 0631 xxxx		without extra charge	without extra charge	without extra charge
without tap hole, overflow set alpine white		xxxx 0718 xxxx		without extra charge	without extra charge	without extra charge
without tap hole, overflow set black matt 100		xxxx 0725 xxxx		without extra charge	without extra charge	without extra charge

OPTIONAL: ACCESSORY*¹	Model	Order No.	Price	EUR		
				Alpine White (I)	Sanitary Colours (II, III)	Coord. Colours (IV)
Push-To-Open brass waste	3915					
		alpine white	9105 0001 0001	88.50		
		black matt 100	9105 0001 0676			88.50
		chrome	9105 0001 0999	67.50		
Brass permanent drain valve for washbasins without overflow	3917					
		alpine white	9107 0001 0001	81.00		
		black matt 100	9107 0001 0676			81.00
		chrome	9107 0001 0999	62.50		
Designer bottle trap	3908	9057 0000 0999	175.50			
Built-in soap dispenser	3916	9106 0001 0999	135.00			

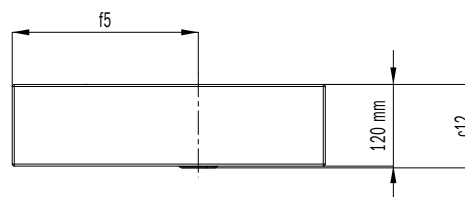
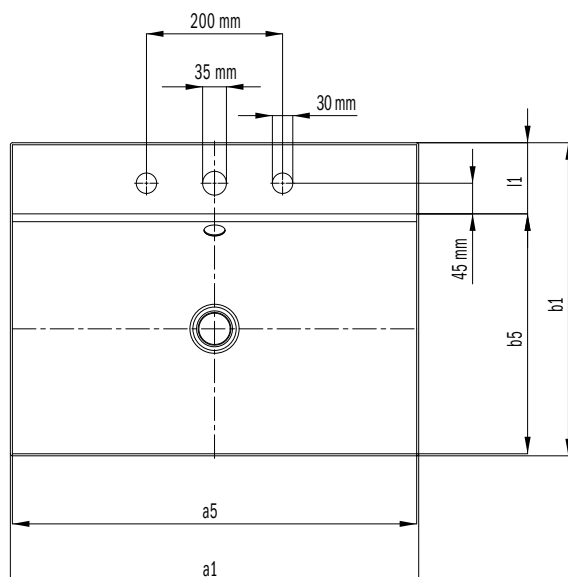
SILENIO COUNTERTOP WASHBASIN

- Fluid and sensually modern design all at once
- Optimum comfort through generous dimensioning of the washbasin
- Soft, organic interior shape
- Geometry allows fittings with short spout leaving ample space for washing
- Together with the SILENIO bath and SCONA shower surface, they form a perfect bathroom fitted out entirely with steel enamel
- Designed by Anke Salomon



Similar illustration

SILENIO	ALPINE WHITE	SANITARY COLOURS	BAHAMABEIGE	MANHATTAN	PERGAMON	BLACK	COORDINATED COLOURS	ALPINE WHITE MATT	WARM BEIGE 20	WARM BEIGE 40	WARM GREY 10	WARM GREY 30	WARM GREY 50	WARM GREY 60	WARM GREY 70	WARM GREY 80	WARM GREY 85	WARM GREY 90	COOL GREY 30	COOL GREY 40	COOL GREY 70	COOL GREY 80	COOL GREY 90	BLACK MATT 100
	001		030	199	231	701		711	661	668	671										663		665	



Model	External length [mm]	Internal length [mm]	External width [mm]	Internal width [mm]	Distance basin surface to bottom edge of waste hole [mm]	External diameter [mm]	Inner diameter top [mm]	Outer diameter bottom	Distance rear edge to centre of waste hole [mm]	Depth of tap deck [mm]	External distance of fixing holes [mm]	Internal distance of fixing holes [mm]	Net weight [kg]
	a ₁	a ₅	b ₁	b ₅	c ₁₂	d ₇	d ₈	d ₉	f ₅	l ₁	n ₁	n ₂	
3042	600	594	460	353	123	-	-	-	273	105	-	-	13
3043	900	894	460	353	123	-	-	-	273	105	-	-	17
3049	1200	1194	460	353	123	-	-	-	273	105	-	-	22

	Model	Order No.	Dimensions (mm)	EUR		
				Alpine White (I)	Sanitary Colours (II, III)	Coord. Colours (IV)
SILENIO COUNTERTOP WASHBASIN (HEIGHT OF RIM 120 MM)	3042	9041 0601 3xxx	600 x 460 x 120	621.00	809.00	809.00
with overflow	3043	9042 0601 3xxx	900 x 460 x 120	854.00	1,109.00	1,109.00
with 1 x 1 tap hole	3049	9064 0601 3xxx	1200 x 460 x 120	1,012.00	1,314.00	1,314.00
with overflow fitting chrome, easy-clean finish and sound insulation enamelled on both sides						
1 x 1 tap hole, overflow set alpine white		xxxx 0719 xxxx		without extra charge	without extra charge	without extra charge
1 x 1 tap hole, overflow set black matt 100		xxxx 0726 xxxx		without extra charge	without extra charge	without extra charge
1 x 3 tap holes		xxxx 0603 xxxx		without extra charge	without extra charge	without extra charge
1 x 3 tap holes, overflow set alpine white		xxxx 0720 xxxx		without extra charge	without extra charge	without extra charge
1 x 3 tap hole, overflow set black matt 100		xxxx 0727 xxxx		without extra charge	without extra charge	without extra charge
without tap hole		xxxx 0600 xxxx		without extra charge	without extra charge	without extra charge
without overflow, with 1 x 1 tap hole		xxxx 0630 xxxx		without extra charge	without extra charge	without extra charge
without overflow, with 1 x 3 tap holes		xxxx 0627 xxxx		without extra charge	without extra charge	without extra charge
without tap hole, without overflow		xxxx 0631 xxxx		without extra charge	without extra charge	without extra charge
without tap hole, overflow set alpine white		xxxx 0718 xxxx		without extra charge	without extra charge	without extra charge
without tap hole, overflow set black matt 100		xxxx 0725 xxxx		without extra charge	without extra charge	without extra charge

OPTIONAL: ACCESSORY•¹	Model	Order No.	Price	EUR		
				Alpine White (I)	Sanitary Colours (II, III)	Coord. Colours (IV)
Push-To-Open brass waste	3915					
alpine white		9105 0001 0001		88.50		
black matt 100		9105 0001 0676				88.50
chrome		9105 0001 0999	67.50			
Brass permanent drain valve for washbasins without overflow	3917					
alpine white		9107 0001 0001		81.00		
black matt 100		9107 0001 0676				81.00
chrome		9107 0001 0999	62.50			
Designer bottle trap	3908	9057 0000 0999	175.50			
Built-in soap dispenser	3916	9106 0001 0999	135.00			

SILENIO COUNTERTOP DOUBLE WASHBASIN

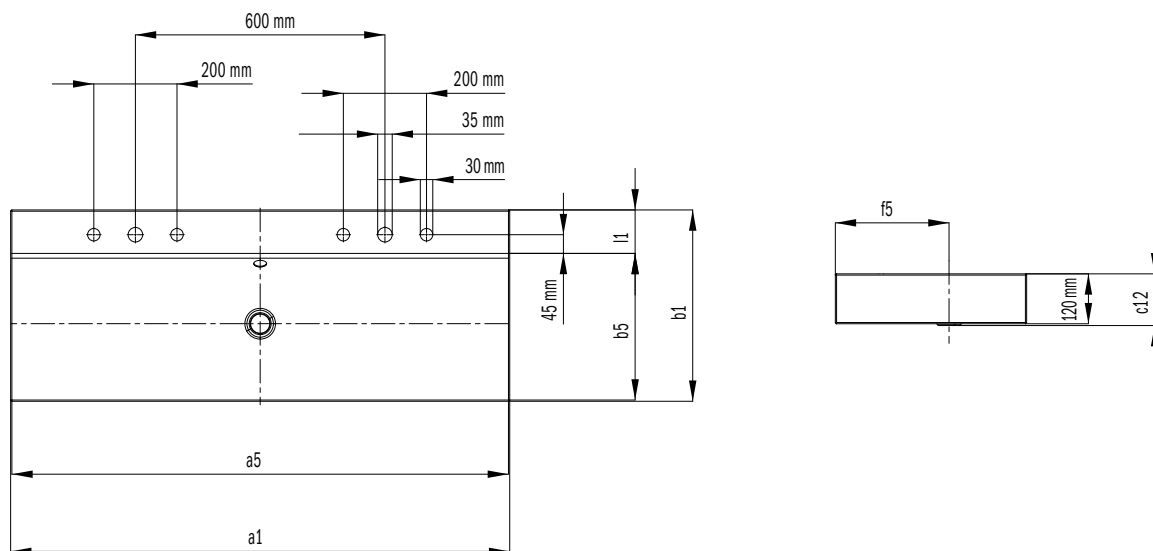
(RIM HEIGHT 120MM)



- Fluid and sensually modern design all at once
- Optimum comfort through generous dimensioning of the washbasin
- Soft, organic interior shape
- Geometry allows fittings with short spout leaving ample space for washing
- Together with the SILENIO bath and SCONA shower surface, they form a perfect bathroom fitted out entirely with steel enamel
- Designed by Anke Salomon

Similar illustration

SILENIO	ALPINE WHITE	SANITARY COLOURS				COORDINATED COLOURS																	
	001	BAHAMABEIGE 030	MANHATTAN 199	PERGAMON 231	BLACK 701	ALPINE WHITE MATT 711	WARM BEIGE 20 661	WARM BEIGE 40 668	WARM GREY 10 668	WARM GREY 30	WARM GREY 50	WARM GREY 60 671	WARM GREY 70	WARM GREY 80	WARM GREY 85	WARM GREY 90	COOL GREY 30 663	COOL GREY 40	COOL GREY 70 665	COOL GREY 80	COOL GREY 90 667	BLACK MATT 100 676	



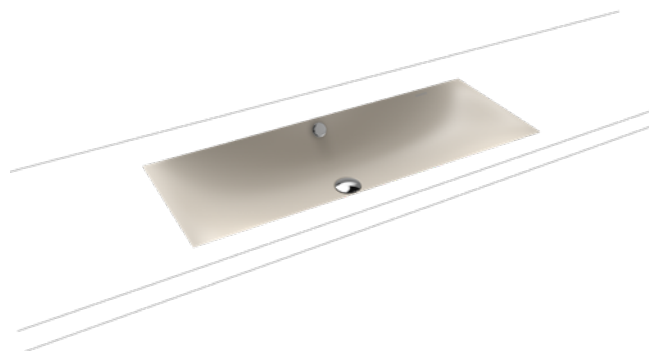
Model	External length [mm]	Internal length [mm]	External width [mm]	Internal width [mm]	Distance basin surface to bottom edge of waste hole [mm]	External diameter [mm]	Inner diameter top [mm]	Outer diameter bottom	Distance rear edge to centre of waste hole [mm]	Depth of tap deck [mm]	External distance of fixing holes [mm]	Internal distance of fixing holes [mm]	Net weight [kg]
	a_1	a_5	b_1	b_5	c_{12}	d_7	d_8	d_9	f_5	l_1	n_1	n_2	
3049	1200	1194	460	353	123	-	-	-	273	105	-	-	22

	Model	Order No.	Dimensions (mm)	EUR		
				Alpine White (I)	Sanitary Colours (II, III)	Coord. Colours (IV)
SILENIO COUNTERTOP DOUBLE WASHBASIN (RIM HEIGHT 120 MM)	3049-D	9064 06043 xxx	1200 x 460 x 120	1,012.00	1,314.00	1,314.00
with overflow with 2 x 1 tap hole with overflow fitting chrome, easy-clean finish, sound insulation enamelled on both sides						
2 x 1 tap hole, overflow set alpine white		xxxx 0721 xxxx		without extra charge	without extra charge	without extra charge
2 x 1 tap hole, overflow set black matt 100		xxxx 0728 xxxx		without extra charge	without extra charge	without extra charge
2 x 3 tap holes		xxxx 0605 xxxx		without extra charge	without extra charge	without extra charge
2 x 3 tap holes, overflow set alpine white		xxxx 0722 xxxx		without extra charge	without extra charge	without extra charge
2 x 3 tap holes, overflow set black matt 100		xxxx 0729 xxxx		without extra charge	without extra charge	without extra charge
without overflow, with 2 x 1 tap hole		xxxx 0636 xxxx		without extra charge	without extra charge	without extra charge
without overflow, with 2 x 3 tap holes		xxxx 0637 xxxx		without extra charge	without extra charge	without extra charge

OPTIONAL: ACCESSORY*¹	Model	Order No.	Price			
				Alpine White (I)	Sanitary Colours (II, III)	Coord. Colours (IV)
Push-To-Open brass waste	3915					
alpine white		9105 0001 0001	88.50			
black matt 100		9105 0001 0676				88.50
chrome		9105 0001 0999	67.50			
Brass permanent drain valve	3917					
for washbasins without overflow						
alpine white		9107 0001 0001	81.00			
black matt 100		9107 0001 0676				81.00
chrome		9107 0001 0999	62.50			
Designer bottle trap	3908	9057 0000 0999	175.50			
Built-in soap dispenser	3916	9106 0001 0999	135.00			

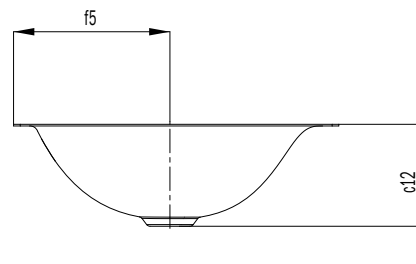
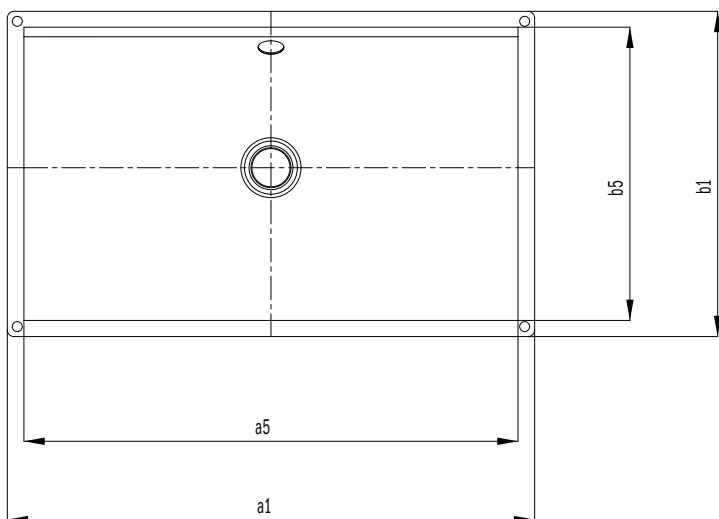
SILENIO UNDERCOUNTER WASHBASIN

- Fluid and sensually modern design all at once
- Optimum comfort through generous dimensioning of the washbasin
- Soft, organic interior shape
- Geometry allows fittings with short spout leaving ample space for washing
- Together with the SILENIO bath and SCONA shower surface, they form a perfect bathroom fitted out entirely with steel enamel
- Designed by Anke Salomon



Similar illustration

	ALPINE WHITE	SANITARY COLOURS				COORDINATED COLOURS	ALPINE WHITE MATT	WARM BEIGE 20	WARM BEIGE 40	WARM GREY 10	WARM GREY 30	WARM GREY 50	WARM GREY 60	WARM GREY 70	WARM GREY 80	WARM GREY 85	WARM GREY 90	COOL GREY 30	COOL GREY 40	COOL GREY 70	COOL GREY 80	COOL GREY 90	BLACK MATT 100
SILENIO	001	030	199	231	701	711	661		668			671						663		665		667	676



Model	External length [mm]	Internal length [mm]	External width [mm]	Internal width [mm]	Distance basin surface to bottom edge of waste hole [mm]	External diameter [mm]	Inner diameter top [mm]	Outer diameter bottom	Distance rear edge to centre of waste hole [mm]	Depth of tap deck [mm]	External distance of fixing holes [mm]	Internal distance of fixing holes [mm]	Net weight [kg]
	a_1	a_5	b_1	b_5	c_{12}	d_7	d_8	d_9	f_5	l_1	n_1	n_2	
3047	634	594	391	353	123	-	-	-	188	-	-	-	5
3048	934	894	391	353	123	-	-	-	188	-	-	-	8

	Model	Order No.	Dimensions (mm)	EUR		
				Alpine White (I)	Sanitary Colours (II, III)	Coord. Colours (IV)
SILENIO UNDERCOUNTER WASHBASIN	3047	9060 0600 3xxx	634 x 391	564.00	733.00	733.00
with overflow	3048	9061 0600 3xxx	934 x 391	773.00	1,005.00	1,005.00
with overflow fitting chrome, easy-clean finish and sound insulation enamelled on both sides without tap hole						
without tap hole, without overflow		xxxx 0631 xxxx		without extra charge	without extra charge	without extra charge
without tap hole, overflow set alpine white		xxxx 0718 xxxx		without extra charge	without extra charge	without extra charge
without tap hole, overflow set black matt 100		xxxx 0725 xxxx		without extra charge	without extra charge	without extra charge

OPTIONAL: ACCESSORY•¹	Model	Order No.	Price			
				Alpine White (I)	Sanitary Colours (II, III)	Coord. Colours (IV)
Push-To-Open brass waste	3915					
alpine white		9105 0001 0001	88.50			
black matt 100		9105 0001 0676				88.50
chrome		9105 0001 0999	67.50			
Brass permanent drain valve	3917					
for washbasins without overflow						
alpine white		9107 0001 0001	81.00			
black matt 100		9107 0001 0676				81.00
chrome		9107 0001 0999	62.50			
Designer bottle trap	3908	9057 0000 0999	175.50			

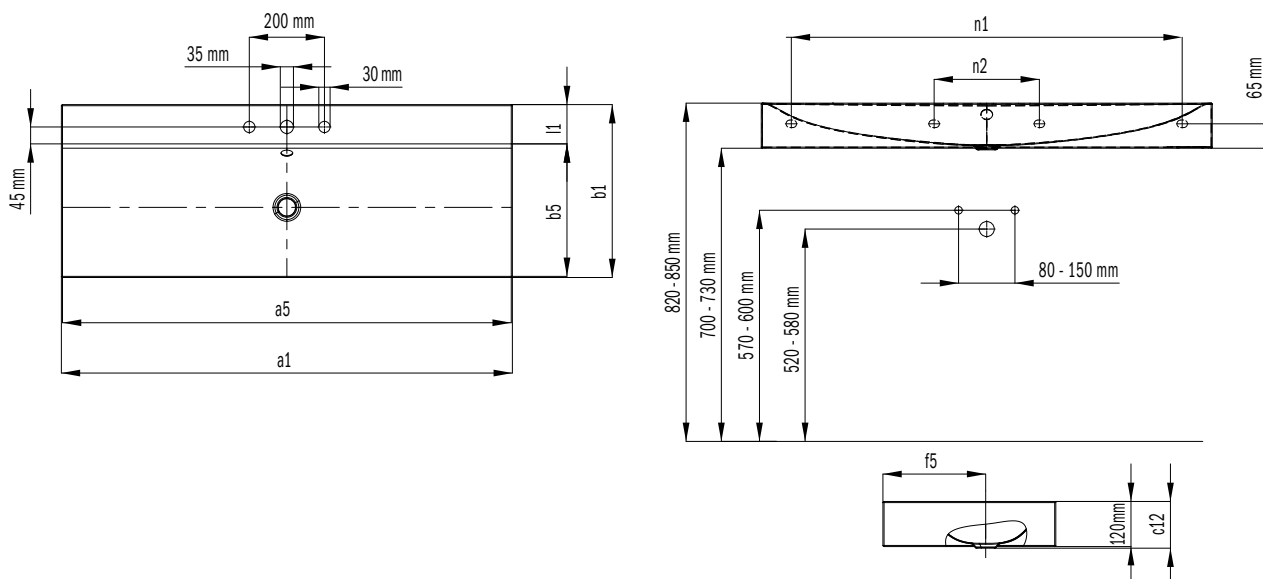
SILENIO WALL-HUNG WASHBASIN

- Fluid and sensually modern design all at once
- Optimum comfort through generous dimensioning of the washbasin
- Soft, organic interior shape
- Geometry allows fittings with short spout leaving ample space for washing
- Together with the SILENIO bath and SCONA shower surface, they form a perfect bathroom fitted out entirely with steel enamel
- Designed by Anke Salomon



Similar illustration

	ALPINE WHITE	SANITARY COLOURS				COORDINATED COLOURS	ALPINE WHITE MATT	WARM BEIGE 20	WARM BEIGE 40	WARM GREY 10	WARM GREY 30	WARM GREY 50	WARM GREY 60	WARM GREY 70	WARM GREY 80	WARM GREY 85	WARM GREY 90	COOL GREY 30	COOL GREY 40	COOL GREY 70	COOL GREY 80	COOL GREY 90	BLACK MATT 100
SILENIO	001	030	199	231	701	711	661		668				671					663		665		667	676



Model	External length [mm]	Internal length [mm]	External width [mm]	Internal width [mm]	Distance basin surface to bottom edge of waste hole [mm]	External diameter [mm]	Inner diameter top [mm]	Outer diameter bottom	Distance rear edge to centre of waste hole [mm]	Depth of tap deck [mm]	External distance of fixing holes [mm]	Internal distance of fixing holes [mm]	Net weight [kg]
	a ₁	a ₅	b ₁	b ₅	c ₁₂	d ₇	d ₈	d ₉	f ₅	l ₁	n ₁	n ₂	
3044	600	594	460	353	123	-	-	-	273	105	780	280	13
3045	900	894	460	353	123	-	-	-	273	105	780	280	17
3046	1200	1194	460	353	123	-	-	-	273	105	1040	280	22

	Model	Order No.	Dimensions (mm)	Alpine White (I)	Sanitary Colours (II, III)	EUR Coord. Colours (IV)
SILENIO WALL-HUNG WASHBASIN	3044	9043 06013 xxx	600 x 460 x 120	621.00	809.00	809.00
with overflow	3045	9044 06013 xxx	900 x 460 x 120	854.00	1,109.00	1,109.00
with 1 x 1 tap hole	3046	9045 06013 xxx	1200 x 460 x 120	1,012.00	1,314.00	1,314.00
with overflow fitting chrome, easy-clean finish, sound insulation and sound insulation tape enamelled on both sides						
1 x 1 tap hole, overflow set alpine white		xxxx 0719 xxxx		without extra charge	without extra charge	without extra charge
1 x 1 tap hole, overflow set black matt 100		xxxx 0726 xxxx		without extra charge	without extra charge	without extra charge
1 x 3 tap holes		xxxx 0603 xxxx		without extra charge	without extra charge	without extra charge
1 x 3 tap holes, overflow set alpine white		xxxx 0720 xxxx		without extra charge	without extra charge	without extra charge
1 x 3 tap hole, overflow set black matt 100		xxxx 0727 xxxx		without extra charge	without extra charge	without extra charge
without tap hole, without overflow		xxxx 0631 xxxx		without extra charge	without extra charge	without extra charge
without overflow, with 1 x 1 tap hole		xxxx 0630 xxxx		without extra charge	without extra charge	without extra charge
without overflow, with 1 x 3 tap holes		xxxx 0627 xxxx		without extra charge	without extra charge	without extra charge
without tap hole		xxxx 0600 xxxx		without extra charge	without extra charge	without extra charge
without tap hole, overflow set alpine white		xxxx 0718 xxxx		without extra charge	without extra charge	without extra charge
without tap hole, overflow set black matt 100		xxxx 0725 xxxx		without extra charge	without extra charge	without extra charge

OPTIONAL: ACCESSORY*¹	Model	Order No.	Price	Alpine White (I)	Sanitary Colours (II, III)	EUR Coord. Colours (IV)
Push-To-Open brass waste	3915					
alpine white		9105 0001 0001		88.50		
black matt 100		9105 0001 0676				88.50
chrome		9105 0001 0999	67.50			
Brass permanent drain valve for washbasins without overflow	3917					
alpine white		9107 0001 0001		81.00		
black matt 100		9107 0001 0676				81.00
chrome		9107 0001 0999	62.50			
Designer bottle trap	3908	9057 0000 0999	175.50			
Built-in soap dispenser	3916	9106 0001 0999	135.00			

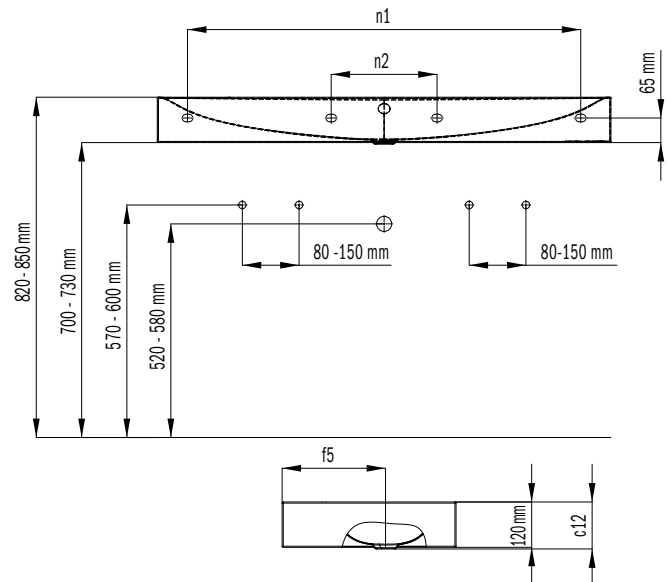
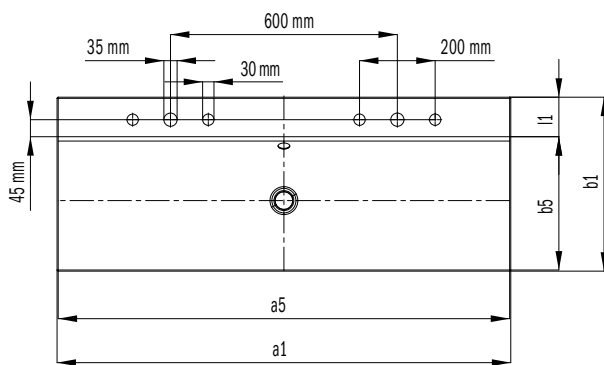
SILENIO WALL-HUNG DOUBLE WASHBASIN

- Fluid and sensually modern design all at once
- Optimum comfort through generous dimensioning of the washbasin
- Soft, organic interior shape
- Geometry allows fittings with short spout leaving ample space for washing
- Together with the SILENIO bath and SCONA shower surface, they form a perfect bathroom fitted out entirely with steel enamel
- Designed by Anke Salomon



Similar illustration

	ALPINE WHITE 001	SANITARY COLOURS	BAHAMABEIGE 030	MANHATTAN 199	PERGAMON 231	BLACK 701	COORDINATED COLOURS	ALPINE WHITE MATT 711	WARM BEIGE 20 661	WARM BEIGE 40	WARM GREY 10 668	WARM GREY 30	WARM GREY 50	WARM GREY 60 671	WARM GREY 70	WARM GREY 80	WARM GREY 85	WARM GREY 90	COOL GREY 30 663	COOL GREY 40	COOL GREY 70 665	COOL GREY 80	COOL GREY 90 667	BLACK MATT 100 676
SILENIO																								



Model	External length [mm]	Internal length [mm]	External width [mm]	Internal width [mm]	Distance basin surface to bottom edge of waste hole [mm]	External diameter [mm]	Inner diameter top [mm]	Outer diameter bottom	Distance rear edge to centre of waste hole [mm]	Depth of tap deck [mm]	External distance of fixing holes [mm]	Internal distance of fixing holes [mm]	Net weight [kg]
	a_1	a_5	b_1	b_5	$c_{1,2}$	d_7	d_8	d_9	f_5	l_1	n_1	n_2	
3046	1200	1194	460	353	123	-	-	-	273	105	1040	280	16

	Model	Order No.	Dimensions (mm)	EUR		
				Alpine White (I)	Sanitary Colours (II, III)	Coord. Colours (IV)
SILENIO WALL-HUNG DOUBLE WASHBASIN 3046-D with overflow with 2 x 1 tap hole including overflow fitting chrome, easy-clean finish, sound insulation and sound insulation tape enamelled on both sides		9045 06043 xxx	1200 x 460 x 120	1,012.00	1,314.00	1,314.00
2 x 1 tap hole, overflow set alpine white		xxxx 0721 xxxx		without extra charge	without extra charge	without extra charge
2 x 1 tap hole, overflow set black matt 100		xxxx 0728 xxxx		without extra charge	without extra charge	without extra charge
2 x 3 tap holes, overflow set alpine white		xxxx 0722 xxxx		without extra charge	without extra charge	without extra charge
2 x 3 tap holes, overflow set black matt 100		xxxx 0729 xxxx		without extra charge	without extra charge	without extra charge
2 x 3 tap holes		xxxx 0605 xxxx		without extra charge	without extra charge	without extra charge
without overflow, with 2 x 1 tap hole		xxxx 0636 xxxx		without extra charge	without extra charge	without extra charge
without overflow, with 2 x 3 tap holes		xxxx 0637 xxxx		without extra charge	without extra charge	without extra charge

OPTIONAL: ACCESSORY*¹	Model	Order No.	Price			
				Alpine White (I)	Sanitary Colours (II, III)	Coord. Colours (IV)
Push-To-Open brass waste	3915					
alpine white		9105 0001 0001	88.50			
black matt 100		9105 0001 0676				88.50
chrome		9105 0001 0999	67.50			
Brass permanent drain valve for washbasins without overflow	3917					
alpine white		9107 0001 0001	81.00			
black matt 100		9107 0001 0676				81.00
chrome		9107 0001 0999	62.50			
Designer bottle trap	3908	9057 0000 0999	175.50			
Built-in soap dispenser	3916	9106 0001 0999	135.00			

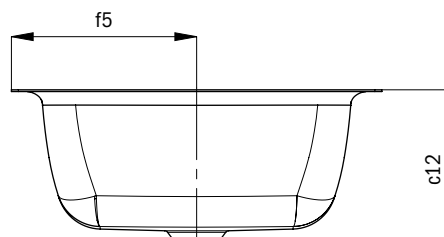
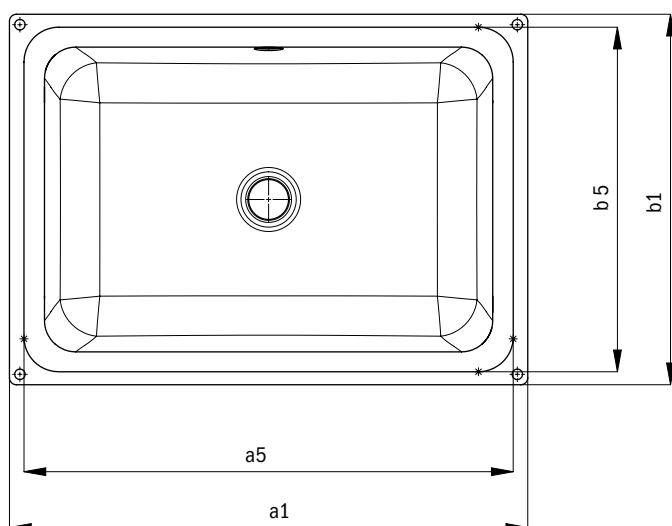
CAYONO UNDERCOUNTER WASHBASIN

- Comfortable spaciousness thanks to the generous interior depth
- Puristic design completed by softly curved surfaces
- Generous radii make cleaning particularly easy
- Elegant solution – overflow cover outside the visible area



Similar illustration

CAYONO	ALPINE WHITE	SANITARY COLOURS	BAHAMABEIGE	MANHATTAN	PERGAMON	BLACK	COORDINATED COLOURS	ALPINE WHITE MATT	WARM BEIGE 20	WARM BEIGE 40	WARM GREY 10	WARM GREY 30	WARM GREY 50	WARM GREY 60	WARM GREY 70	WARM GREY 80	WARM GREY 85	WARM GREY 90	COOL GREY 30	COOL GREY 40	COOL GREY 70	COOL GREY 80	COOL GREY 90	BLACK MATT 100
	001																							



Model	External length [mm]	Internal length [mm]	External width [mm]	Internal width [mm]	Distance basin surface to bottom edge of waste hole [mm]	External diameter [mm]	Inner diameter top [mm]	Outer diameter bottom	Distance rear edge to centre of waste hole [mm]	Depth of tap deck [mm]	External distance of fixing holes [mm]	Internal distance of fixing holes [mm]	Net weight [kg]
	a ₁	a ₅	b ₁	b ₅	c ₁₂	d ₇	d ₈	d ₉	f ₅	l ₁	n ₁	n ₂	
3190	596	562	426	396	173	-	-	-	213	-	-	-	8

	Model	Order No.	Dimensions (mm)	Alpine White (I)	Sanitary Colours (II, III)	Coord. Colours (IV)	EUR
CAYONO UNDERCOUNTER WASHBASIN with overflow fitting and sound insulation enamelled on one side with overflow without tap hole	3190	9137 0600 0001	596 x 426	291.00			
without tap hole, overflow set alpine white		xxxx 0718 xxxx		without extra charge			
without tap hole, overflow set black matt 100		xxxx 0725 xxxx		without extra charge			

OPTIONAL: SURFACE FINISHES	Model	Order No.	Price	Alpine White (I)	Sanitary Colours (II, III)	Coord. Colours (IV)
Easy-clean finish		xxxxxxx3xxx	52.50			

OPTIONAL: ACCESSORY^{•1}	Model	Order No.	Price	Alpine White (I)	Sanitary Colours (II, III)	Coord. Colours (IV)
Design overflow cover	3920					
alpine white		6998 0134 0001	16.00			
black matt 100		6998 0134 0676				16.00
chrome		6998 0134 0000	16.00			
Push-To-Open brass waste	3915					
alpine white		9105 0001 0001	88.50			
black matt 100		9105 0001 0676				88.50
chrome		9105 0001 0999	67.50			
Designer bottle trap	3908	9057 0000 0999	175.50			



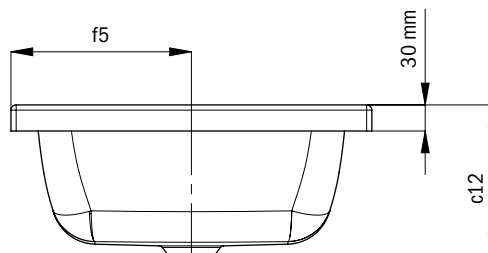
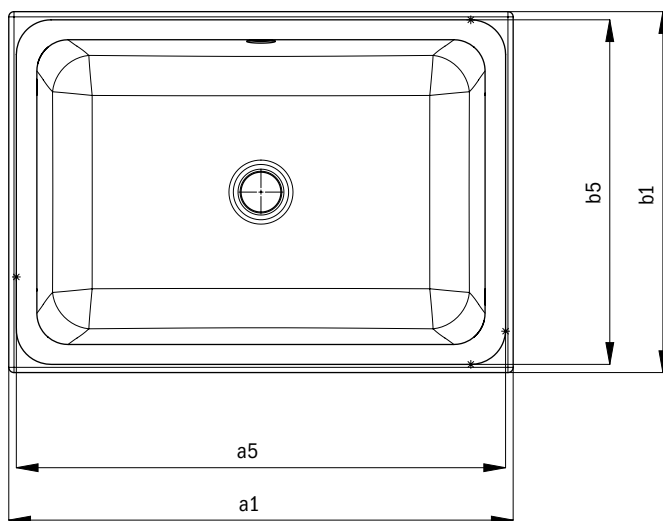
CAYONO S COUNTERTOP WASHBASIN

- Comfortable spaciousness thanks to the generous interior depth
- Puristic design completed by softly curved surfaces
- Generous radii make cleaning particularly easy
- Elegant solution – overflow cover outside the visible area



Similar illustration

CAYONO	ALPINE WHITE	001	BAHAMABEIGE	MANHATTAN	PERGAMON	BLACK	COORDINATED COLOURS	ALPINE WHITE MATT	WARM BEIGE 20	WARM BEIGE 40	WARM GREY 10	WARM GREY 30	WARM GREY 50	WARM GREY 60	WARM GREY 70	WARM GREY 80	WARM GREY 85	WARM GREY 90	COOL GREY 30	COOL GREY 40	COOL GREY 70	COOL GREY 80	COOL GREY 90	BLACK MATT 100
	SANITARY COLOURS																							



Model	External length [mm]	Internal length [mm]	External width [mm]	Internal width [mm]	Distance basin surface to bottom edge of waste hole [mm]	External diameter [mm]	Inner diameter top [mm]	Outer diameter bottom	Distance rear edge to centre of waste hole [mm]	Depth of tap deck [mm]	External distance of fixing holes [mm]	Internal distance of fixing holes [mm]	Net weight [kg]
	a ₁	a ₅	b ₁	b ₅	c ₁₂	d ₇	d ₈	d ₉	f ₅	l ₁	n ₁	n ₂	
3189	580	562	415	396	173	-	-	-	208	-	-	-	10

	Model	Order No.	Dimensions (mm)	Alpine White (I)	Sanitary Colours (II, III)	Coord. Colours (IV)	EUR
CAYONO S COUNTERTOP WASHBASIN	3189	9136 0600 0001	580 x 415 x 30				
with overflow fitting and sound insulation enamelled on one side with overflow without tap hole							
without tap hole, overflow set alpine white		xxxx 0718 xxxx					without extra charge
without tap hole, overflow set black matt 100		xxxx 0725 xxxx					without extra charge

OPTIONAL: SURFACE FINISHES	Model	Order No.	Price	Alpine White (I)	Sanitary Colours (II, III)	Coord. Colours (IV)	
Easy-clean finish		xxxxxxx3xxx					52.50

OPTIONAL: ACCESSORY^{•1}	Model	Order No.	Price	Alpine White (I)	Sanitary Colours (II, III)	Coord. Colours (IV)	
Design overflow cover	3920						
alpine white		6998 0134 0001					16.00
black matt 100		6998 0134 0676					16.00
chrome		6998 0134 0000	16.00				
Push-To-Open brass waste	3915						
alpine white		9105 0001 0001					88.50
black matt 100		9105 0001 0676					88.50
chrome		9105 0001 0999	67.50				
Designer bottle trap	3908	9057 0000 0999	175.50				



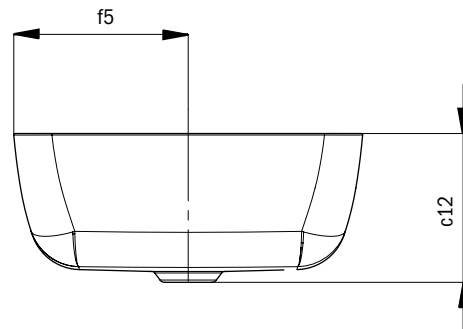
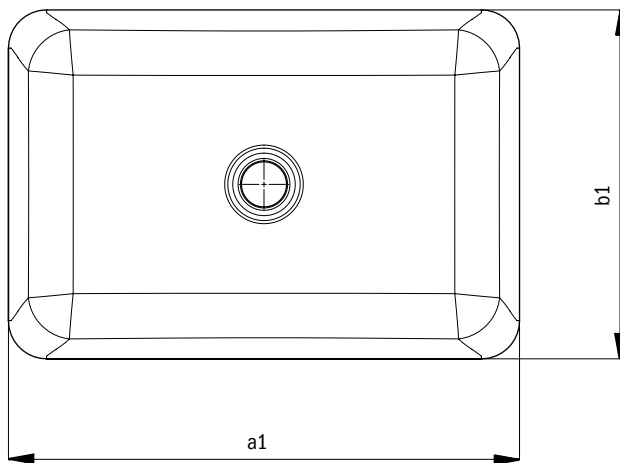
CAYONO WASHBOWL

- Comfortable spaciousness thanks to the generous interior depth
- Puristic design completed by softly curved surfaces
- Generous radii make cleaning particularly easy



Similar illustration

CAYONO	ALPINE WHITE	ALPINE WHITE	BAHAMABEIGE	MANHATTAN	PERGAMON	BLACK	COORDINATED COLOURS	ALPINE WHITE MATT	WARM BEIGE 20	WARM BEIGE 40	WARM GREY 10	WARM GREY 30	WARM GREY 50	WARM GREY 60	WARM GREY 70	WARM GREY 80	WARM GREY 85	WARM GREY 90	COOL GREY 30	COOL GREY 40	COOL GREY 70	COOL GREY 80	COOL GREY 90	BLACK MATT 100
	001	SANITARY COLOURS																						



Model	External length [mm]	Internal length [mm]	External width [mm]	Internal width [mm]	Distance basin surface to bottom edge of waste hole [mm]	External diameter [mm]	Inner diameter top [mm]	Outer diameter bottom	Distance rear edge to centre of waste hole [mm]	Depth of tap deck [mm]	External distance of fixing holes [mm]	Internal distance of fixing holes [mm]	Net weight [kg]
	a_1	a_s	b_1	b_s	$c_{1,2}$	d_7	d_8	d_9	f_5	l_1	n_1	n_2	
3188	520	-	355	-	151	-	-	-	178	-	-	-	11

	Model	Order No.	Dimensions (mm)	EUR
				Alpine White (I) Sanitary Colours (II, III) Coord. Colours (IV)
CAYONO WASHBOWL enamelled on both sides without overflow	3188	9135 0600 0001	520 x 355	531.00

OPTIONAL: SURFACE FINISHES	Model	Order No.	Price	Alpine White (I) Sanitary Colours (II, III) Coord. Colours (IV)
Easy-clean finish		xxxxxxx3xxx	52.50	

OPTIONAL: ACCESSORY•¹	Model	Order No.	Price	Alpine White (I) Sanitary Colours (II, III) Coord. Colours (IV)
Brass permanent drain valve for washbasins without overflow	3917			
alpine white		9107 0001 0001	81.00	
black matt 100		9107 0001 0676		81.00
chrome		9107 0001 0999	62.50	
Designer bottle trap	3908	9057 0000 0999	175.50	



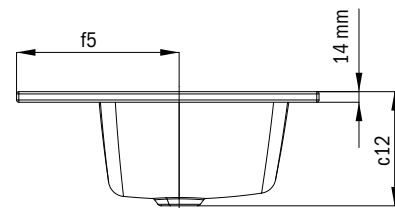
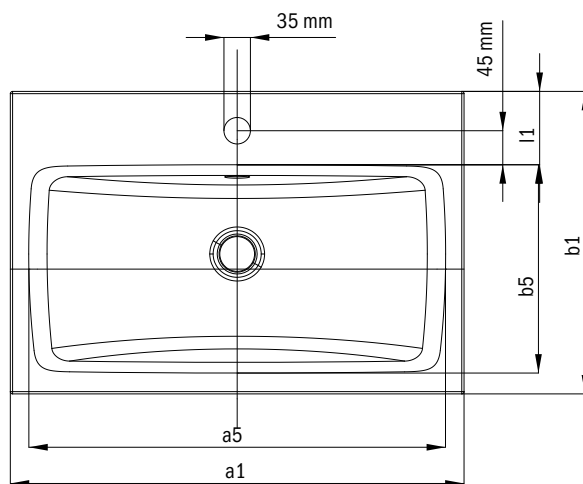
OBJECT Q BUILT-IN WASHBASIN

- Timeless design - available in round and rectangular versions
- All-round installation rim for particularly easy installation
- Perfect in combination with a wide variety of console materials



Similar illustration

OBJECT Q	ALPINE WHITE	SANITARY COLOURS	BAHAMABEIGE	MANHATTAN	PERGAMON	BLACK	COORDINATED COLOURS	ALPINE WHITE MATT	WARM BEIGE 20	WARM BEIGE 40	WARM GREY 10	WARM GREY 30	WARM GREY 50	WARM GREY 60	WARM GREY 70	WARM GREY 80	WARM GREY 85	WARM GREY 90	COOL GREY 30	COOL GREY 40	COOL GREY 70	COOL GREY 80	COOL GREY 90	BLACK MATT 100
	001																							



Model	External length [mm]	Internal length [mm]	External width [mm]	Internal width [mm]	Distance basin surface to bottom edge of waste hole [mm]	External diameter [mm]	Inner diameter top [mm]	Outer diameter bottom	Distance rear edge to centre of waste hole [mm]	Depth of tap deck [mm]	External distance of fixing holes [mm]	Internal distance of fixing holes [mm]	Net weight [kg]
	a_1	a_5	b_1	b_5	c_{12}	d_7	d_8	d_9	f_5	l_1	n_1	n_2	
3196	600	551	400	275	151	-	-	-	215	97	-	-	7

	Model	Order No.	Dimensions (mm)	Alpine White (I)	Sanitary Colours (II, III)	Coord. Colours (IV)	EUR
OBJECT Q BUILT-IN WASHBASIN	3196	9117 0601 0001	600 x 400 x 149				477.00
with 1 x 1 tap hole including overflow fitting chrome, sound insulation enamelled on both sides with overflow							
1 x 1 tap hole, overflow set alpine white		xxxx 0719 xxxx					without extra charge
1 x 1 tap hole, overflow set black matt 100		xxxx 0726 xxxx					without extra charge

OPTIONAL: SURFACE FINISHES	Model	Order No.	Price	Alpine White (I)	Sanitary Colours (II, III)	Coord. Colours (IV)	
Easy-clean finish		xxxxxxx3xxx					52.50

OPTIONAL: ACCESSORY•¹	Model	Order No.	Price	Alpine White (I)	Sanitary Colours (II, III)	Coord. Colours (IV)	
Design overflow cover	3920						
alpine white		6998 0134 0001					16.00
black matt 100		6998 0134 0676					16.00
chrome		6998 0134 0000	16.00				
Push-To-Open brass waste	3915						
alpine white		9105 0001 0001					88.50
black matt 100		9105 0001 0676					88.50
chrome		9105 0001 0999	67.50				
Designer bottle trap	3908	9057 0000 0999	175.50				



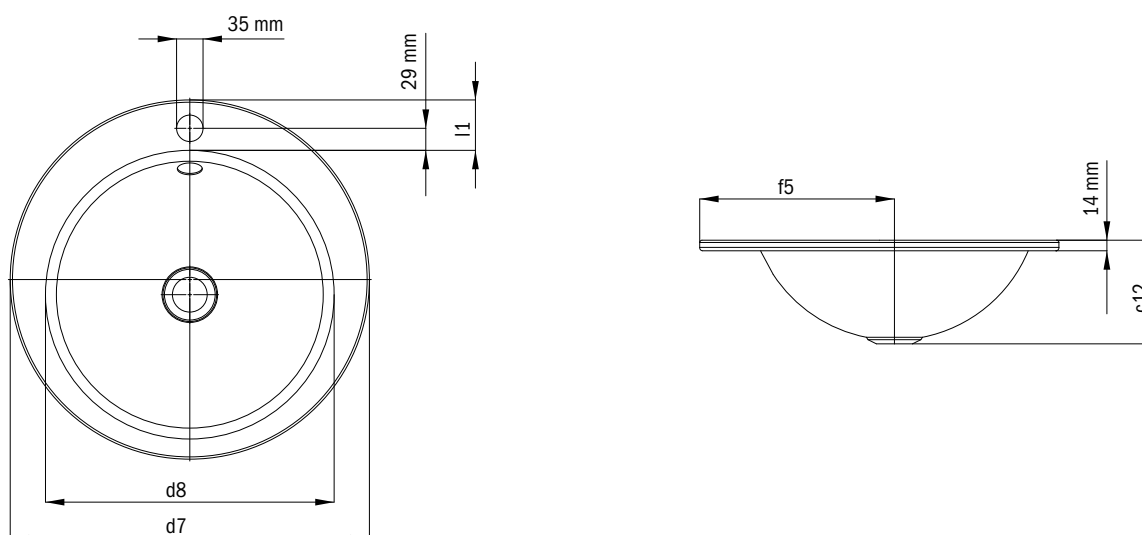
OBJECT R BUILT-IN WASHBASIN

- Timeless design - available in round and rectangular versions
- All-round installation rim for particularly easy installation
- Perfect in combination with a wide variety of console materials



Similar illustration

OBJECT R	ALPINE WHITE	SANITARY COLOURS	BAHAMABEIGE	MANHATTAN	PERGAMON	BLACK	COORDINATED COLOURS	ALPINE WHITE MATT	WARM BEIGE 20	WARM BEIGE 40	WARM GREY 10	WARM GREY 30	WARM GREY 50	WARM GREY 60	WARM GREY 70	WARM GREY 80	WARM GREY 85	WARM GREY 90	COOL GREY 30	COOL GREY 40	COOL GREY 70	COOL GREY 80	COOL GREY 90	BLACK MATT 100
	001																							



Model	External length [mm]	Internal length [mm]	External width [mm]	Internal width [mm]	Distance basin surface to bottom edge of waste hole [mm]	External diameter [mm]	Inner diameter top [mm]	Outer diameter bottom	Distance rear edge to centre of waste hole [mm]	Depth of tap deck [mm]	External distance of fixing holes [mm]	Internal distance of fixing holes [mm]	Net weight [kg]
	a_1	a_s	b_1	b_s	c_{12}	d_7	d_8	d_9	f_5	l_1	n_1	n_2	
3195	-	-	-	-	137	475	382	-	258	67	-	-	7
3199	-	-	-	-	137	475	382	-	258	67	-	-	7

	Model	Order No.	Dimensions (mm)	Alpine White (I)	Sanitary Colours (II, III)	Coord. Colours (IV)	EUR
OBJECT R BUILT-IN WASHBASIN with 1 x 1 tap hole including overflow fitting chrome, sound insulation enamelled on both sides with overflow	3195	9116 0601 0001	Ø 475	261.00			
OBJECT R BUILT-IN WASHBASIN with 1 x 1 tap hole including overflow fitting chrome, sound insulation enamelled on one side with overflow	3199	9123 0601 0001	Ø 475	182.00			
1 x 1 tap hole, overflow set alpine white		xxxx 0719 xxxx		without extra charge			
1 x 1 tap hole, overflow set black matt 100		xxxx 0726 xxxx		without extra charge			

OPTIONAL: SURFACE FINISHES	Model	Order No.	Price	Alpine White (I)	Sanitary Colours (II, III)	Coord. Colours (IV)
Easy-clean finish		xxxxxxxx3xxx	52.50			

OPTIONAL: ACCESSORY•¹	Model	Order No.	Price	Alpine White (I)	Sanitary Colours (II, III)	Coord. Colours (IV)
Design overflow cover	3920					
alpine white		6998 0134 0001	16.00			
black matt 100		6998 0134 0676				16.00
chrome		6998 0134 0000	16.00			
Push-To-Open brass waste	3915					
alpine white		9105 0001 0001	88.50			
black matt 100		9105 0001 0676				88.50
chrome		9105 0001 0999	67.50			
Designer bottle trap	3908	9057 0000 0999	175.50			



WASHING SYSTEM OVERVIEW

	UNDERCOUNTER- WASHBASIN						BUILT-IN WASHBASIN				
	CAYONO	PURO	CLASSIC	SILENIO	CENTRO	CONO	PURO	SILENIO	CONO	OBJECTR	OBJECTQ
SURFACES											
Easy-clean finish ¹	•	•	•	•	•	•	•	•	•	•	•
INFLOW/OUTFLOW TECHNOLOGY											
CLOU waste and overflow system for lever operation pop-up waste (around, enamelled)					•						
CLOU waste and overflow system for lever operation pop-up waste (angular, enamelled)						•		•			
Free-flow waste with enamelled cover (around)					•						
Free-flow waste with enamelled cover (angular)						•		•			
Chromee-plated brass permanent waste valve ³				•			•				
PUSH-TO-OPEN-Valve ⁴	•	•	•	•			•	•		•	•
TAP HOLE											
without tap hole	•	•	•	•	•	•	•	•	•		
1 x 1-er tap hole							•	•	•	•	•
1 x 3-er tap hole							•	•	•		
2 x 1-er tap hole (Double washbasin)							•	•	•		
2 x 3-er tap hole (Double washbasin)							•	•	•		
Additional charge for requested bore holes							•	•	•	•	•
ACCESSOIRES											
Designer bottle trap	•	•	•	•	•	•	•	•	•	•	•
Hair catcher (only for Permanent waste valve)					•	•			•		
Built-in soap dispenser							•	•	•		

WASHING SYSTEM OVERVIEW

	COUNTERTOP WASHBASIN								WALL-HUNG WASHBASIN					BOWLS						
	CAYONO S	PURO ¹	PURO HWT ²	PURO S	SILENIO	CENTRO	CONO	CONO HWT ²	PURO ¹	PURO HWT ²	SILENIO	CENTRO	CONO	CONO HWT ²	CAYONO	NUEVA	MING	MIENA ECKIG	MIENA RUND	AVELLINO
SURFACES																				
Easy-clean finish ¹	•	•	•	•	•	•	•	•	•	•	•	•	•	•	•	•	•	•	•	•
INFLOW/OUTFLOW TECHNOLOGY																				
CLOU waste and overflow system for lever operation pop-up waste (around, enamelled)						•						•								
CLOU waste and overflow system for lever operation pop-up waste (angular, enamelled)							•						•							
Free-flow waste with enamelled cover (around)						•						•				•	•		•	•
Free-flow waste with enamelled cover (angular)							•	•					•	•				•		
Chromee-plated brass permanent waste valve ³			•		•					•	•				•					
PUSH-TO-OPEN-Valve ⁴	•	•		•	•				•		•									
TAP HOLE																				
without tap hole	•	•	•	•	•	•	•	•	•	•	•	•	•	•	•	•	•	•	•	•
1 x 1-er tap hole		•	•		•	•	•	•	•	•	•	•	•	•						
1 x 3-er tap hole		•			•	•	•		•		•	•	•							
2 x 1-er tap hole (Double washbasin)		•			•				•		•		•							
2 x 3-er tap hole (Double washbasin)		•			•				•		•		•							
Additional charge for requested bore holes		•	•		•	•	•	•	•	•	•	•	•	•						
ACCESSOIRES																				
Designer bottle trap	•	•	•	•	•	•	•	•	•	•	•	•	•	•	•	•	•	•	•	•
Hair catcher (only for Permanent waste valve)						•	•	•			•	•	•			•	•	•	•	•
Built-in soap dispenser		•			•	•	•		•		•	•	•							

¹ standard ex-works except for CAYONO. ² Washbasin. ³ Only for SILENIO models without overflow.

⁴ Only for SILENIO models with overflow. ⁵ Model 3170 only available in alpine white.



INFLOW/OUTFLOW TECHNOLOGY

CLOU WASTE AND OVERFLOW SYSTEM FOR LEVER OPERATION POP-UP WASTE



3900 FOR CENTRO



3901 FOR CONO

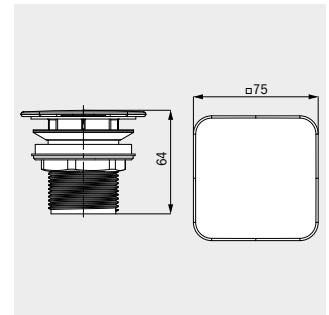
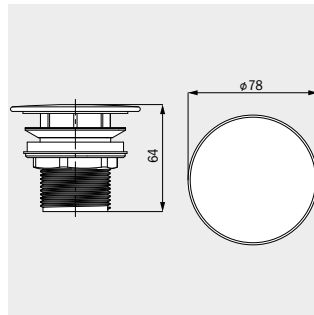
CLOU waste and overflow valve for eccentric actuation

- Waste and overflow set for washbasins without overflow
- Takes over the overflow function and is installed invisibly under the washbasin
- Actuation via lever rod

	Model	Order No.	Price	Alpine White (I)	Sanitary Colours (II, III)	EUR Coord. Colours (IV)
CLOU waste and overflow valve for eccentric actuation round, enameled cover, for fittings with lever operation	3900	90530000xxx		• 114.50	• 125.50	• 125.50
CLOU waste and overflow valve for eccentric actuation square, enameled cover, for fittings with lever operation	3901	90540000xxx		• 114.50	• 125.50	• 125.50

INFLOW/OUTFLOW TECHNOLOGY

FREE-FLOW WASTE



FREE-FLOW WASTE 3904
FOR CENTRO, MIENA, NUEVA,
AVELLINO AND MING

FREE-FLOW WASTE 3905
FOR CONO AND MIENA

Free-flow waste

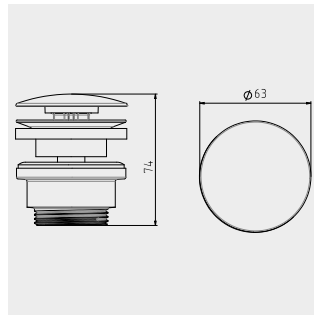
- Permanent waste valve for washbasins without overflow function

	Model	Order No.	Price	Alpine White (I)	Sanitary Colours (II, III)	EUR Coord. Colours (IV)
Free-flow waste round, enamelled cover	3904	9058 0000 xxxx		• 79.50	• 86.50	• 86.50
Free-flow waste square, enamelled cover	3905	9059 0000 xxxx		• 79.50	• 86.50	• 86.50



DRAINAGE TECHNOLOGY

CHROME-PLATED BRASS PERMANENT DRAIN VALVE



BRASS PERMANENT DRAIN
VALVE

Brass permanent drain valve

- Permanent waste valve for washbasins without overflow function

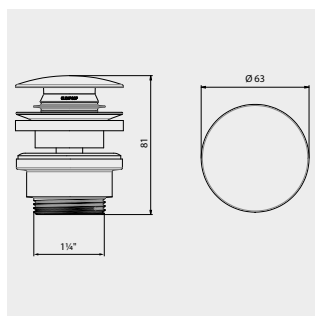
	Model	Order No.	Price	Alpine White (I)	Sanitary Colours (II, III)	EUR Coord. Colours (IV)
Brass permanent drain valve for washbasins without overflow	3917					
alpine white		910700010001		• 81.00		
black matt 100		910700010676				• 81.00
chrome		910700010999	• 62.50			

AB- UND ÜBERLAUFTECHNIK

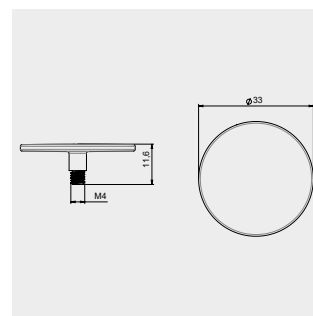
PUSH-TO-OPEN VALVE/DESIGN OVERFLOW COVER



PUSH-TO-OPEN BRASS WASTE



DESIGN OVERFLOW COVER



Push-To-Open brass waste

- Push valve with click lock
- Suitable for wash basins with overflow

	Model	Order No.	Price	Alpine White (I)	Sanitary Colours (II, III)	EUR Coord. Colours (IV)
Design overflow cover	3920					
alpine white		699801340001		• 16.00		
black matt 100		699801340676				• 16.00
chrome		699801340000	• 16.00			
Push-To-Open brass waste	3915					
alpine white		910500010001		• 88.50		
black matt 100		910500010676				• 88.50
chrome		910500010999	• 67.50			



ACCESSORIES

DESIGN SIPHON/HAIR CATCHER SIEVES



DESIGN SIPHON



HAIR CATCHER



DRILL HOLES

Design siphon

- Suitable for all washbasin models
- High-quality, chrome-plated designer siphon
- In a modern cylindrical shape

Hair catcher

- Hair catcher for washbasin permanent waste valve Mod. 3904, 3905

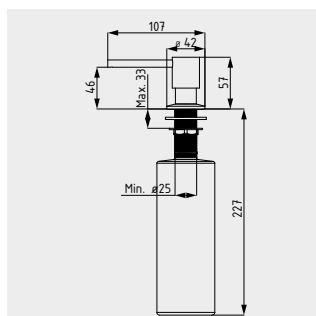
Drill holes

- Drill holes not possible for undercounter washbasins, washbasin bowls, as well as PURO S and CAYONO S countertop washbasins
- All other holes on request
- Dimension sketch required
- The surcharge applies regardless of the number of holes.

	Model	Order No.	Price	Alpine White (I)	Sanitary Colours (II, III)	Coord. Colours (IV)	EUR
Designer bottle trap	3908	905700000999	• 175.50				
Hair catcher	3912	910400000001	• 4.40				
Drill holes			156.00				

ACCESSORIES

BUILT-IN SOAP DISPENSER



Built-in soap dispenser

- Built-in soap dispenser, chrome-plated with swivel spout
- Incl. refill bottle 500 ml
- Can be refilled from the top
- Suitable for household use

BUILT-IN SOAP DISPENSER

POSITIONING OPTIONS BUILT-IN SOAP DISPENSER

Model	Model No.	without TH			1 x 1			1 x 3			2 x 1			2 x 3		
		left	right	centre	left	right	centre	left	right	centre	left	right	centre	left	right	centre
CENTRO Countertop Washbasin	3055, 3056, 3057, 3058	✓	✓		✓	✓		✓	✓							
CENTRO Wall-Hung Washbasin	3061, 3062	✓	✓		✓	✓		✓	✓							
CONO Built-In Washbasin	3075, 3080, 3081, 3082	✓	✓		✓	✓										
CONO Built-In Double Washbasin	3082-D											✓				✓
CONO Countertop Washbasin	3076, 3083, 3084, 3077, 3085, 3086	✓	✓		✓	✓										
CONO Wall-Hung Washbasin	3079, 3089, 3090, 3091	✓	✓		✓	✓										
CONO Wall-Hung Double Washbasin	3091-D											✓				✓
PURO Built-In Washbasin	3150, 3151, 3152, 3169	✓	✓		✓	✓										
PURO Built-In Double Washbasin	3169-D											✓				✓
PURO Countertop Washbasin	3153, 3154, 3155, 3156, 3157, 3158, 3168	✓	✓		✓	✓										
PURO Countertop Double Washbasin	3168-D											✓				✓
	3171	✓	✓	✓												
PURO Wall-Hung Washbasin	3163, 3164, 3165, 3167	✓	✓		✓	✓										
PURO Wall-Hung Double Washbasin	3167-D											✓				✓
	3170	✓	✓	✓							✓	✓	✓			✓
SILENIO Built-In Washbasin	3037, 3038, 3039	✓	✓		✓	✓		✓	✓							
SILENIO Built-In Double Washbasin	3039-D											✓				✓
SILENIO Countertop Washbasin	3040, 3041, 3042, 3043, 3049	✓	✓		✓	✓		✓	✓							
SILENIO Countertop Double Washbasin	3049-D											✓				✓
SILENIO Wall-Hung Washbasin	3044, 3045, 3046	✓	✓		✓	✓		✓	✓							
SILENIO Wall-Hung Double Washbasin	3046-D											✓				✓

	Model	Order No.	Price	Alpine White (I)	Sanitary Colours (II, III)	Coord. Colours (IV)	EUR
Built-in soap dispenser	3916	910600010999	• 135.00				



GENERAL TERMS AND CONDITIONS FOR DELIVERY AND PAYMENT

FRANZ KALDEWEI GMBH & CO. KG

I. General Terms and Conditions

- All KALDEWEI deliveries and services, including consultancy services and future deliveries and services, are made solely on the basis of these Terms and Conditions for Delivery and Payment. The buyer's Terms of Business will not apply even if KALDEWEI has not expressed explicit objection to these terms. KALDEWEI's terms and conditions are deemed to have been acknowledged by the time the goods supplied by KALDEWEI are accepted. The definitive document is KALDEWEI's Terms and Conditions for Delivery and Payment in the valid version in each instance.
- Offers from KALDEWEI are made without obligation. Contractual and other agreements become binding when confirmed in writing by KALDEWEI. The wording of the confirmation alone is decisive. KALDEWEI will not be bound by any supplementary agreements made verbally.
- The information on the subject matter of the delivery or performance as well as the representation of the same (e.g. drawings and illustrations) are only approximate. They do not represent any quality guarantee, but descriptions or identifications of the delivery or performance. Customary variations and those that are effected on the basis of statutory regulations or that represent technical improvements are admissible insofar as they do not impair use for the contractually intended purpose.

II. Scope of delivery, delivery times

- Delivery periods and dates are only ever approximate. They relate to the time of dispatch and are compiled with once notification of readiness for dispatch has been given.
- Delivery periods are extended without prejudice to KALDEWEI's rights arising from delay in fulfilment by the buyer, by the period during which the buyer fails to fulfil his obligations towards KALDEWEI. This applies accordingly to delivery dates.
- Reasonable part deliveries are permitted.
- In the event of Acts of God or other disruptive events which cannot be foreseen at the time of conclusion of the contract (e.g. stoppages of all kinds, transport delays, strikes, lawful lockouts, measures taken by authorities, difficulties in procuring materials or energy, unfavourable weather conditions, or the failure to supply, incorrect or delayed supply by KALDEWEI's suppliers) for which KALDEWEI is not responsible and which make it significantly more difficult or impossible to perform the delivery or service, KALDEWEI will be entitled to withdraw from the contract provided the obstacle is permanent. For obstacles of a temporary nature, the delivery periods for goods or services will be extended or the delivery dates for goods or services put back by the period during which the obstacle is in place with the addition of an appropriate re-start period. Insofar as the buyer cannot be expected to accept the delivery or service as a result of the delay, the buyer will be entitled to withdraw from the contract by immediately informing KALDEWEI in writing of the intent to do so. No claims for compensation for damages will be accepted in these instances.
- Cancellation of orders at customers' request
The following cancellation fees are charged for an order cancellation: Unless otherwise stated in the order confirmation, an order can be cancelled free of charge within one week. After this time, a handling fee of 50 % of the order value is charged.

III. Dispatch and transfer of risk

- Risk passes to the buyer with the transfer of the goods to the haulier or freight carrier, even if carriage paid delivery has been agreed, and at the latest at the point where the goods leave KALDEWEI's plant or warehouse. Where dispatch is delayed for reasons which are not KALDEWEI's responsibility, then the transfer of risk occurs at the time when the notice of readiness for dispatch is issued. Warehousing costs following the transfer of risk are borne by the buyer.
- The form of dispatch and choice of packaging is as KALDEWEI sees fit. If the packaging is returned in perfect condition, with charges prepaid by the sender, this will be credited in full.
- The shipment will be insured against damage in transit and other risks only at the express wish and at the expense of the buyer.

IV. Prices and Terms and Conditions for Payment

- Our prices apply for the scope of delivery and performance contained in our acknowledgements of order. Unless otherwise agreed, prices are in euro ex works or ex warehouse, packaging and incidental charges not included, plus value added tax.
- Unless otherwise agreed, net payment is to be made within 30 days of the date of the invoice; a 3% cash discount will be given on payments made within 8 days of the date of the invoice. The sum to which the discount applies is calculated after deduction of freight and any other costs. This discount is not available to buyers who are in arrears with earlier invoices. Discountable bills of exchange will be accepted only if explicitly agreed, without guarantee for protest, and only in order to secure payment. Discount charges, bank charges and tax on drafts and bills of exchange will be borne by the buyer. Bills of exchange and cheques are deemed paid when cashed.
- Retention of payments because of, or offsetting of payments by, counter-claims by the buyer will only be permitted if the counter-claims are uncontested or have been determined in law.
- If after conclusion of the contract KALDEWEI becomes aware of circumstances, irrespective of whether these circumstances were apparent at the time of concluding the contract or not, which serve to diminish the creditworthiness of the buyer, KALDEWEI will be entitled to execute outstanding deliveries from this and other business only against advance payment or offer of security. If the buyer is unable to meet the request

for advance payment or offer of security, then KALDEWEI will, after an appropriate additional period, be entitled to withdraw from the contract or to demand compensation for damages for non-fulfilment.

V. Reservation of ownership

- KALDEWEI reserves ownership of all goods supplied by the company (reserved goods) until the buyer has settled all obligations arising from the business relationship including any that arise at a future date. In the event of conduct on the part of the buyer that is in violation of the contract, specifically in respect of default in payment, KALDEWEI will be entitled to take back the reserved goods. This does not constitute withdrawal from the contract unless KALDEWEI expressly declares this to be the case. KALDEWEI is entitled to realise the value of the goods once they have been taken back, in which case the proceeds will be credited against the obligations of the buyer, with the deduction of appropriate realisation costs.
 - The buyer is entitled to process the reserved goods in the normal course of business so long as the buyer is not in default in payment. The processing or transformation of the reserved goods is carried out for KALDEWEI as manufacturer in the sense of Article 950 of the German Civil Code (Bürgerliches Gesetzbuch or BGB) with no obligation on KALDEWEI. The processed or transformed goods are deemed to be reserved goods in the sense of Figure 1.
 - Where the buyer processes, joins or mixes the reserved goods with other items which do not belong to KALDEWEI, KALDEWEI is entitled to joint ownership of the new item in the proportion of the invoiced value of the reserved goods to the sum of the invoiced values of the other items used.
 - For the new items produced in accordance with letter a) and for the share in joint ownership arising in accordance with letter b), the conditions relating to reserved goods apply accordingly.
 - The buyer is only entitled to resell the reserved goods in the context of normal conduct of business (e.g. not in a so-called check and bill of exchange procedure). Specifically, the following will apply:
 - Where the buyer allows deferred payment of the purchase price to his purchasers, the buyer reserves right of ownership on the sold goods in respect of his purchasers under the same conditions as KALDEWEI has applied in reserving ownership when supplying the reserved goods. Unless this reservation of ownership is exercised, the buyer is not empowered to resell the reserved goods.
 - The buyer hereby transfers to KALDEWEI the accounts receivable for the purchase price or other claims for payment to which he is entitled as a result of the resale or other retail transaction. They serve as security to the same extent as the reserved goods. The buyer is only entitled and empowered to resell or to make other use of the reserved goods if it has been ensured that the accounts receivable arising therefrom are transferred to KALDEWEI.
 - If the reserved goods are sold on by the buyer together other goods not supplied by KALDEWEI, then settlement of the account receivable arising from the sale will be restricted to the amount of the invoiced value of the reserved goods which have been sold in each instance. Where goods are sold to which KALDEWEI has a share in joint rights of ownership in accordance with Figure 2. b), the account receivable will be settled to the amount of this share in joint rights of ownership.
 - If the transferred account receivable is absorbed into an open account, then the buyer hereby transfers a part of the account balance whose amount corresponds to this account receivable from the open account to KALDEWEI. If interim account balances are drawn out and carry forward has been agreed, then the account receivable due to KALDEWEI under the above regulation arising from the interim account balance will be treated as transferred to KALDEWEI for the next account balance.
 - Until revoked by KALDEWEI, the buyer is empowered to collect the accounts receivable which have been transferred to KALDEWEI. KALDEWEI may not exercise this right to revoke as long as the buyer fulfils his payment obligations under the business relationship with KALDEWEI, does not default in payment, and KALDEWEI are not made aware of any circumstances which serve to considerably diminish the creditworthiness of the buyer. If there are grounds for exercising revocation, then KALDEWEI may insist that the buyer inform KALDEWEI of the accounts receivable transferred and the debtors cessi, provides KALDEWEI with all necessary information to collect these accounts receivable, passes on the relevant documentation and notifies the debtors of the transfer. In this case, KALDEWEI will also be entitled to notify the debtors of the transfer itself.
 - If the realisable value of the securities which KALDEWEI holds exceeds the secured accounts receivable in total by more than 20%, then KALDEWEI is obliged, at the buyer's request, to release securities of KALDEWEI's choosing to that extent.
 - The buyer must provide information as to the whereabouts of the reserved goods and of the accounts receivable arising from resale at any time requested by KALDEWEI to do so.
 - The rights enjoyed by KALDEWEI according to this Section V. will apply up to and including the complete release from contingent liabilities which KALDEWEI has entered into in the interests of the buyer.
 - The buyer is obliged to insure the reserved goods, adequately and to the reinstatement value, against fire damage, water damage and theft, at his own expense, and to show proof of this to KALDEWEI when requested, specifically by presentation of the insurance policies.

VI. Technical advice

Insofar as KALDEWEI provides technical information or acts to provide advice in the context of its business dealings, this is without legal consideration and excludes any liability.

VII. Warranty

- The product supplied by KALDEWEI is to be carefully inspected on delivery to the buyer. Any visible defects are to be confirmed by the freight carrier. The goods are deemed to be accepted if no notification of defect has been received by KALDEWEI in writing within 5 working days following delivery of the goods or, if the defects were not identifiable via an immediate and careful inspection, within 5 working days following discovery of the defect.
- In the event of defects in the goods supplied by us, we are obliged to subsequently perform our obligations, that is, to remedy the defect or to supply goods free of defects, at our discretion. If such subsequent performance should fail, i.e. in the event of impossibility of performance, unacceptability, refusal or unreasonable delay in rectification of the substitute delivery, the customer may demand a reduction in the purchase price or withdraw from the contract, at his discretion.
- We are only liable for claims for damages due to or in connection with defects in accordance with Section VIII.
- This does not affect claims by the customer insofar as we have provided a guarantee for the quality or durability of the goods supplied. The content of the guarantee undertaking is authoritative for the scope of liability.
- Claims arising from the Product Liability Law and from personal injury are not affected either.

VIII. Liability for compensation for damages on account of fault

- Liability on our part for damages – for whatever legal reason, in particular for reasons of unlawful acts – cannot be accepted, or is restricted, insofar as it is based on fault, in accordance with the following provisions:
 - In the event of slight negligence on the part of KALDEWEI's legal representatives, management staff and persons employed in performing an obligation, KALDEWEI will not be liable insofar as the matter does not involve a breach of essential contractual obligations;
 - In the event of gross negligence on the part of KALDEWEI's non-management staff or other persons employed in performing an obligation, KALDEWEI will not be liable insofar as the matter does not involve the breach of essential contractual obligations;
 - In all other instances KALDEWEI will be liable insofar as KALDEWEI assumes liability for the fault.
- Insofar as KALDEWEI is fundamentally liable according to Figure 1 for compensation for damages, this liability is excluded
 - for damages which are remote in time;
 - for damages which are not foreseeable and not typical for the contract;
 - for damages which can be resolved by the buyer.However, the exclusion of liability does not apply insofar as KALDEWEI is liable for intent. In addition, KALDEWEI's liability is limited to 10 times the consideration for the company's delivery and service.
- Insofar as the risk giving cause for the damage which has occurred is usually insured by the buyer within his sector of activity, liability on the part of KALDEWEI is excluded even in instances of gross fault, but not if there is intent on the part of officers or management staff.
- The above exclusions to and restrictions on liability apply in the same scope to the advantage of KALDEWEI's legal representatives, other organs, management and non-management staff and other persons employed in performing an obligation.
- Insofar as KALDEWEI negligently breaches an essential contractual obligation, the obligation upon KALDEWEI to pay compensation for material or personal damages is limited to the sum insured under its product liability insurance or its third-party liability insurance. KALDEWEI is prepared to allow the person placing the order or contract to view the relevant policy.

IX. Final provisions

- The place of fulfilment is Ahlen/Westphalia (Germany) unless otherwise agreed. The place of jurisdiction is Ahlen/Westphalia or the buyer's company headquarters, as KALDEWEI sees fit. For actions against KALDEWEI, Ahlen/Westphalia is the sole place of jurisdiction.
- Relations between KALDEWEI and the buyer are exclusively subject to the law of the Federal Republic of Germany. The UN Convention on the International Purchase of Goods dated 1.4.1980 does not apply.
- If individual conditions of these Terms and Conditions for Delivery and Payment or of the delivery contract are or become invalid, this will not affect the validity of the other conditions.

D-59206 Ahlen, (Germany) 01. 11. 2009, Franz Kaldewei GmbH & Co. KG

KALDEWEI

KALDEWEI

Franz Kaldewei GmbH & Co. KG
Beckumer Straße 33-35
59229 Ahlen
Deutschland
Tel. +49 2382 785 777
Fax +49 2382 785 200
Internet: www.kaldewei.com